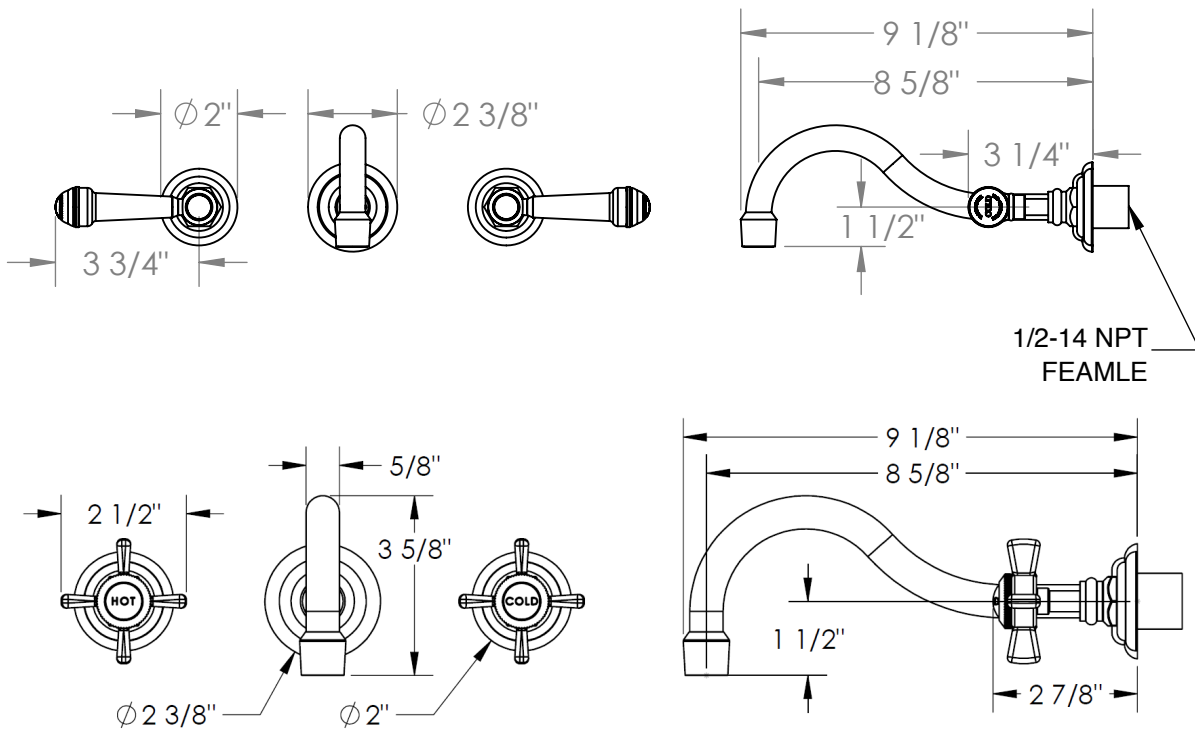


# REJUVENATION

www.rejuvenation.com

## CONNOR

Wall Mounted 3 Hole Bath Faucet  
Includes SS-THV2.2 concealed rough  
Flow Rate: 1.2 GPM



Meets the applicable requirements of ASME A112.18.1-2005/CSA B125.1-05, entitled "Plumbing Supply Fittings"

# WATERMARK DESIGNS

350 Dewitt Ave Brooklyn NY 11207 USA

# REJUVENATION

[www.rejuvenation.com](http://www.rejuvenation.com)

## HANDLE TRIM OPTIONS



**WATERMARK** DESIGNS

350 Dewitt Ave Brooklyn NY 11207 USA