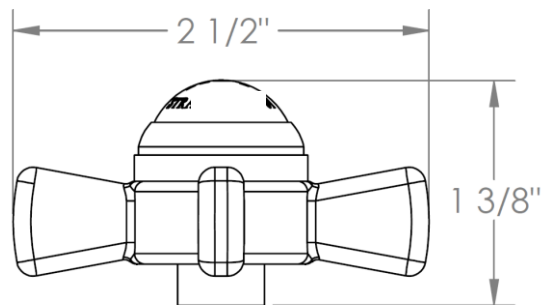
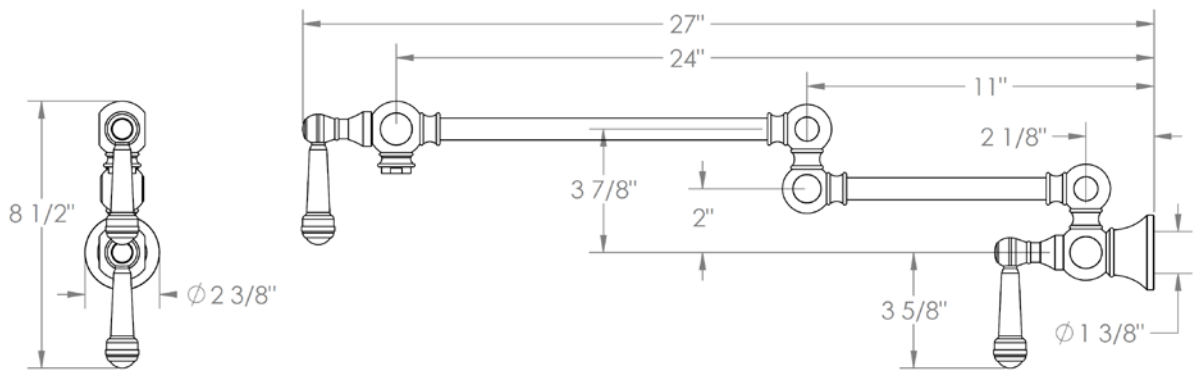


# REJUVENATION

www.Rejuvenation.com

## Connor Wall Mounted Pot Filler



Meets the applicable requirements of ASME A112.18.1-2005/CSA B125.1-05, entitled "Plumbing Supply Fittings"

# WATERMARK