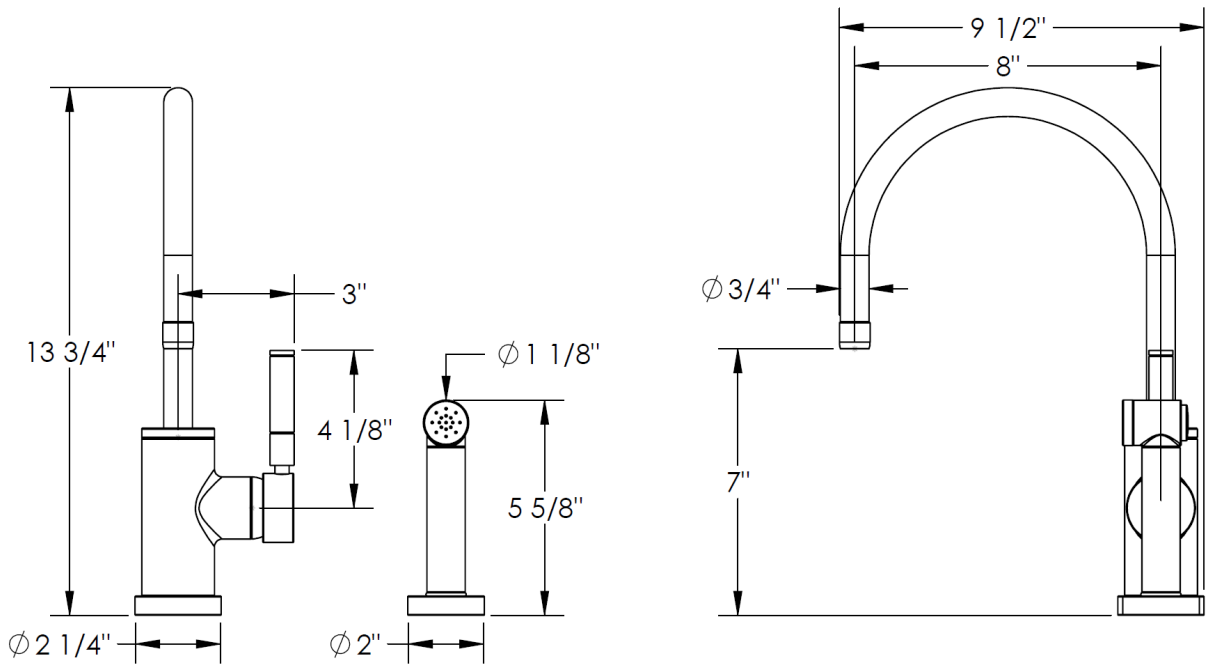


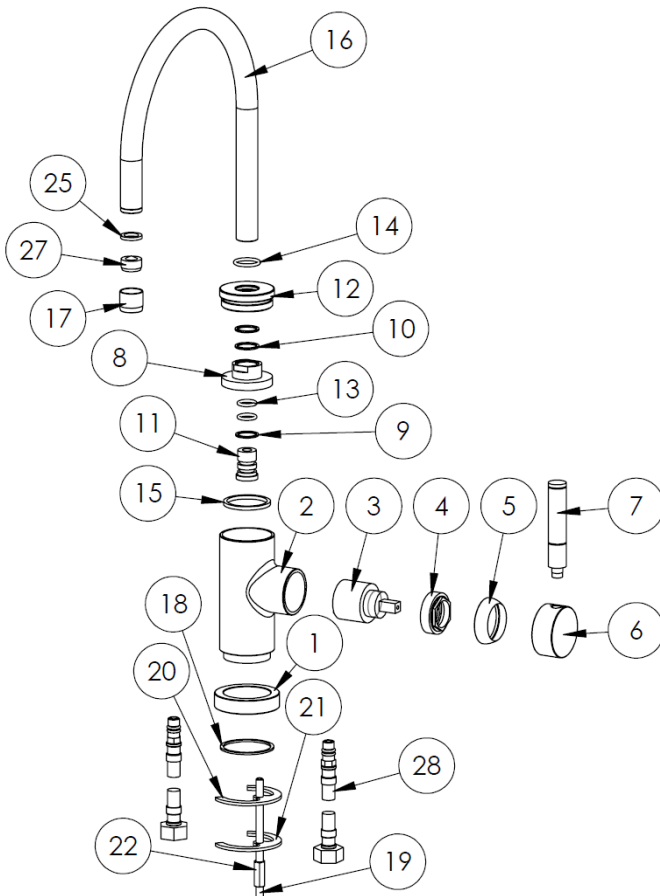
REJUVENATION

Coos Bay Kitchen Faucet

Specifications:

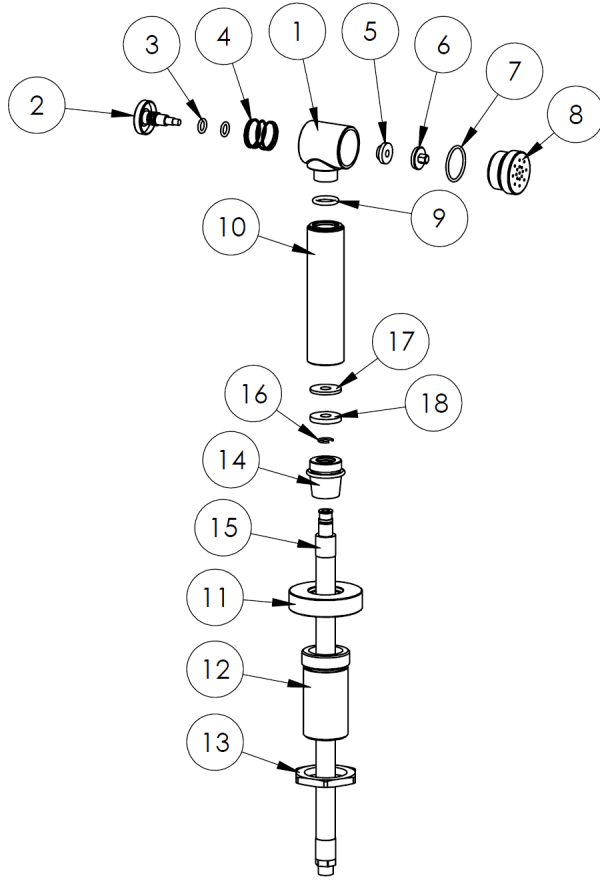


Parts Breakdown – Spout:



ITEM NO.	PART NUMBER	QTY.
1	24-7.4-BASE RING	1
2	24-7.4-BODY	1
3	24-7.3-CRT	1
4	24-7.4-CRT-NUT	1
5	26-1.1-DOME	1
6	24-7.4-HANDLE POST	1
7	24-7.4-HANDLE LEVER	1
8	24-7.4-SPT-ADAPTER	1
9	24-7.4-SPT-IN-BRASS WASHER	1
10	24-7.4-SPT-IN-PLASTIC WASHER	2
11	24-7.4-SPT-INSERT	1
12	26-1.1-TOP BODY NUT	1
13	O-112 O-RING	2
14	O-116 O-RING	1
15	24-7.4-SPT-WASHER	1
16	24-7.4 SPOUT	1
17	24-2 AERATOR SHELL	1
18	24-7.4-BSRING-WASHER	1
19	SPT-MNTNG-KIT-1-SCRW	1
20	SPT-MNTNG-KIT-1-RBBR-WSHR	1
21	SPT-MNTNG-KIT-1-WSHR	1
22	SPT-MNTNG-KIT-1-NUT	1
25	501 AERATOR WASHER	1
27	NEOPERL PERLATOR JR	1
28	SUPPLY HOSE	2

Parts Breakdown – Hand Spray:



ITEM NO.	PART NUMBER	QTY.
1	MSA5 SPRAY BODY	1
2	MSA5 SPRAY BUTTON	1
3	MSA5 ORING for BUTTON	2
4	MSA5 HEAD SPRING	1
5	MSA5 SPRAY NUT WASHER	1
6	MSA5 SPRAY BODY NUT	1
7	MSA5 ORING for FACE PLATE	1
8	MSA5-FACE-PLT	1
9	MSA5 ORING for SPRAY BODY	1
10	24-7.4 SPRAY MID	1
11	24 H BASE OUTER KITCHEN	1
12	H-BASE-INNR-KTCHN	1
13	24 H BASE LOCK NUT	1
14	MSA4-HOSE-NUT	1
15	MSA-HOSE	1
16	MSA4-HOSE-RETAIN-RING	1
17	MSA-HOSE-THIN-GSKT	1
18	MSA-HOSE-THICK-GSKT	1

IMPORTANT INSTALLATION INFORMATION

- USE TEFLON TAPE OR PIPE SEALANT FOR THREADED CONNECTIONS
- DO NOT USE PLUMBER'S PUTTY ON ANY OF THE BRASS COMPONENTS
This will cause the finish to tarnish and void the warranty. A non-corrosive Alkoxy Silicone is recommended.
- DURING SWEATING OF LINES DO NOT OVERHEAT CASTING
Overheating may cause damage to internal mechanism
- COPPER ADAPTORS MAY BE REQUIRED TO COMPLETE YOUR INSTALLATION

For technical support, please call 888-401-1900