

ROWLAND PEDESTAL SINK D4622



| | |
|----------------------------|---------|
| W: | 26" |
| D: | 20-1/2" |
| Total Height: | 35-3/4" |
| Height to top of the sink: | 33-3/4" |
| Flange: | 1-5/8" |

Interior Dimensions:

| | |
|------------------------------------|-------------------|
| Basin Interior: | 21-3/8" x 12-3/4" |
| Basin Depth: | 5-7/8" |
| Back of basin to center of faucet: | 3" |
| Back of basin to center of drain: | 7-1/2" |
| Mount bolts height: | 31-1/8" |
| Mount holes cc: | 11-7/8" |
| Faucet and spout holes: | 1-3/8" |

Features:

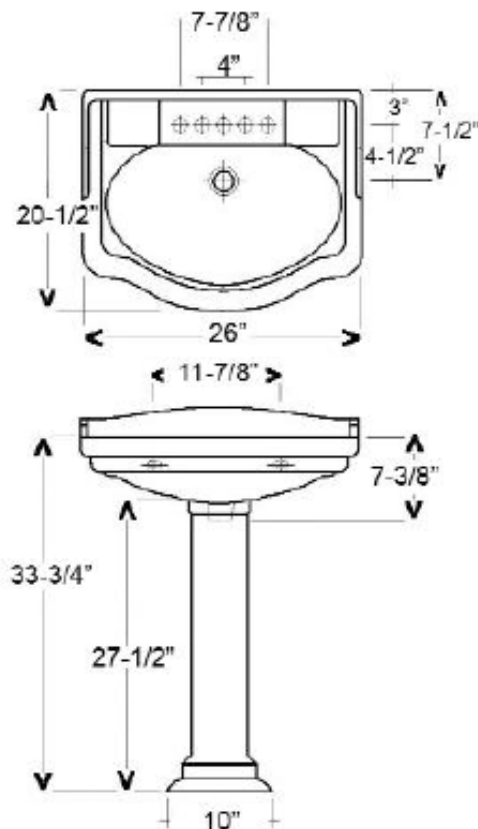
- ▶ Made of Vitreous China
- ▶ Available for 4" CC or 8" widespread
- ▶ Pre-drilled overflow hole
- ▶ Can be installed using toggle or molly bolts (not included)
- ▶ IAPMO certified
- ▶ For ease installation order **Hangers** (pair) or **Bracket** (one)



Colors:

WH White
BQ Bisque

Compliance Certification
Meets or exceeds the following specifications: ASME A112.19.2 2013 and CSA B45.1-13 for ceramic plumbing fixtures.



Dimensions of fixture are nominal and may vary within the range of tolerances established by ASME Standard A112.19.2-2008. Dimensions and specifications subject to change without notice.