



Features

- All brass construction including sprayhead
- 360° rotating spout
- PDS™ "Positive Docking System" secures sprayhead
- Squeeze lever activates spray mode
- Spray jets have easy-to-clean surface
- Quiet polymer-braided hose with rotating joint
- Ceramic disc cartridge
- Max flow rate: 1.8 gpm (6.8 L/min)

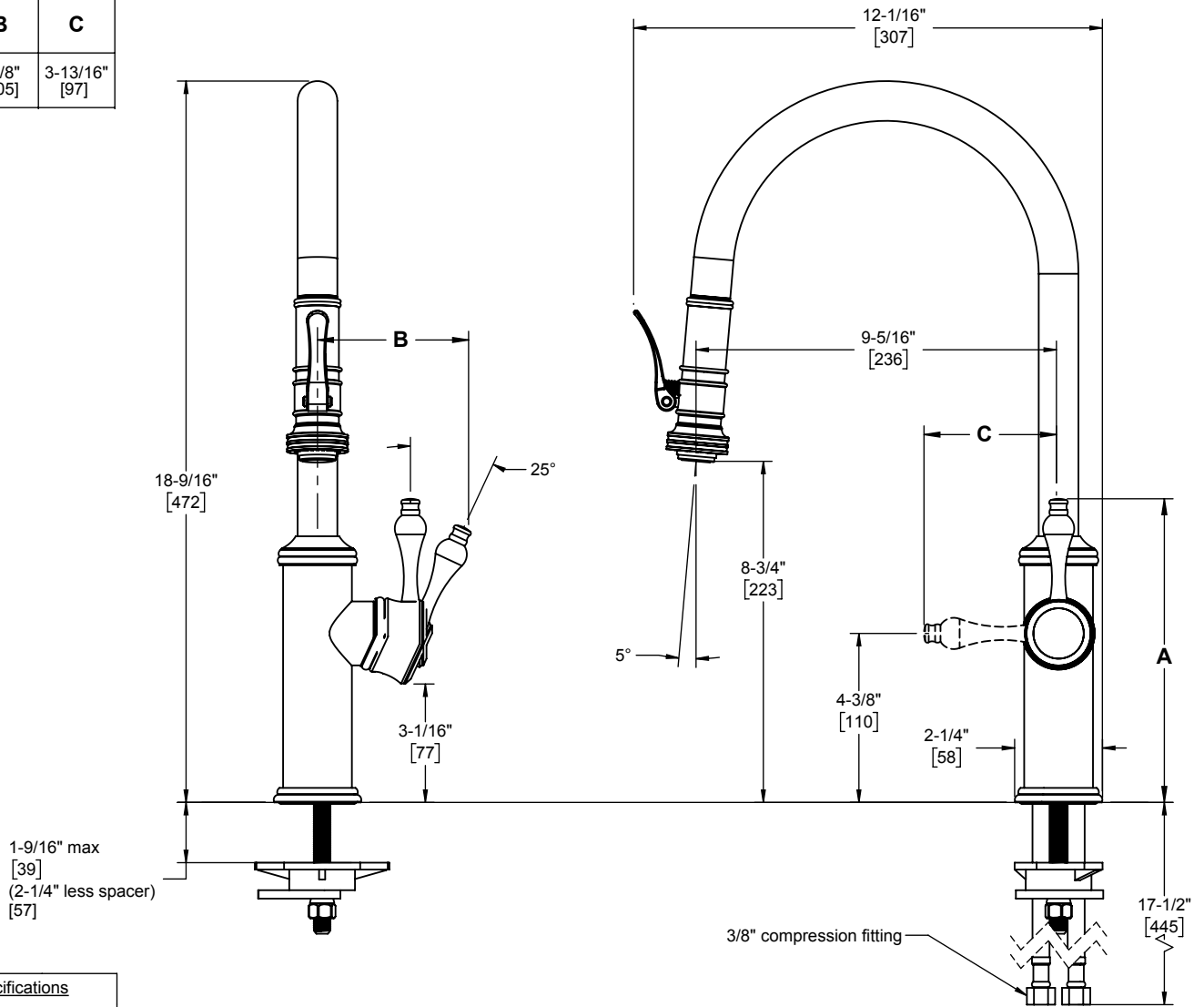
Codes/Standards Applicable

Product meets or exceeds the following:

- ASME A112.18.1/CSA B125.1
- NSF 61, NSF 372, CEC & DOE
- Commonwealth of MA
- ADA compliant



Handle Style	A	B	C
33	7-15/16" [202]	4-1/8" [105]	3-13/16" [97]



Through-Hole Specifications		
Min	Recommended	Max
Ø 1-1/4 [32]	Ø 1-3/8 [35]	Ø 1-3/8 [35]

Specifications subject to change without notice

Dimensions are inches, rounded to 1/16"
[Dimensions in brackets are mm, rounded to 1mm]