

RAK DES 810 CONSOLE

Cat. No
611WH-MB



Faucet not included

W: 31-7/8" overall
D: 20" overall
H: 34-3/4" overall

Leg Dimensions

Length: 31-1/4"
Height: 32"
Depth: 20"

Interior Dimensions:

Basin Interior:	12" x 18"
Basin Depth:	3-5/8"
Water depth to overflow:	2"
Back of basin to center of faucet:	1-3/8"
Back of basin to center of drain:	8-3/4"
Mount bolts height:	32-7/8"
Mount holes cc:	21-1/4"
Faucet and spout holes:	1-1/4"
Stand bolt height:	29-1/2" H x 28-3/4" W

Features:

- ▶ Fine fire clay for durability
- ▶ Transitional style
- ▶ Rectangular basin
- ▶ RAK logo
- ▶ Pre-drilled with one faucet hole
- ▶ Available pre-drilled for 1-hole faucet (**611WH-MB**), 4" centerset (**614WH-MB**) or 8" centerset (**618WH-MB**)
- ▶ Mounting Hardware Included
- ▶ Pre-drilled overflow hole

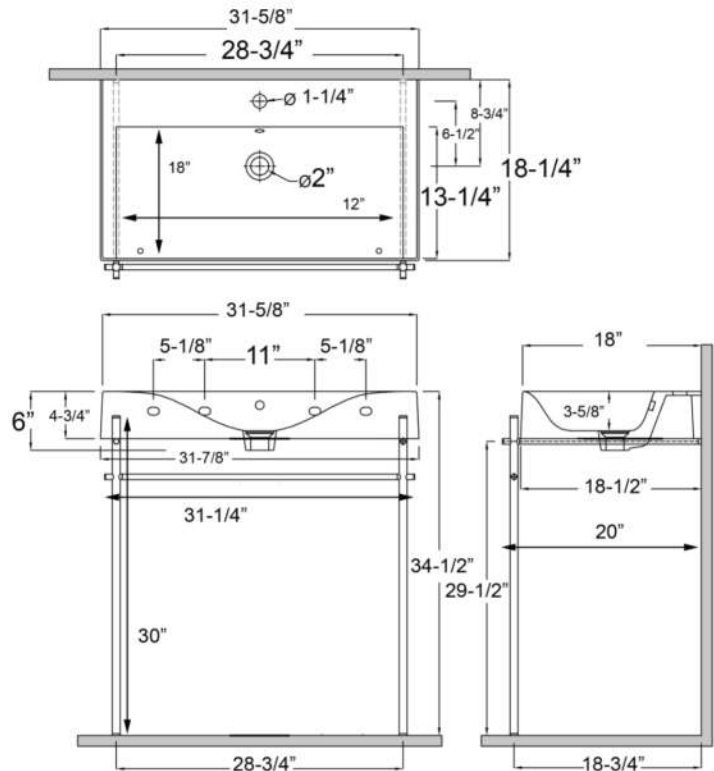
Colors:

WH White



Compliance Certification

- Meets or exceeds the following specifications: ASME A112.19.1
- 2018 AND CSA B45.1-18 for Fire Clay fixtures.

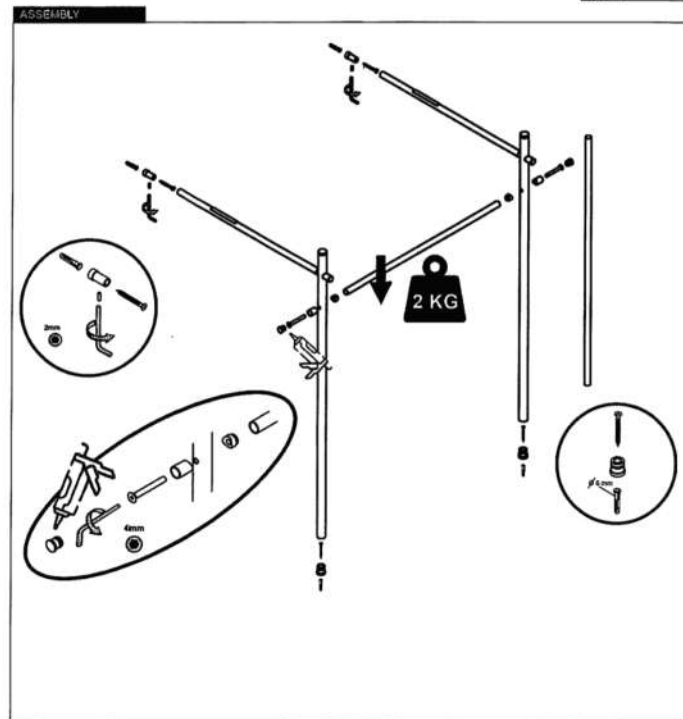


Dimensions of fixture are nominal and may vary within the range of tolerances established by ASME Standard A112.19.2.2018. Dimensions and specifications subject to change without notice.

INSTALLATION INSTRUCTIONS

Tools Needed

- Screwdriver • Drill & Bits • 1 large Allen Key • 1 small Allen Key • 4 wood screws • 4 anchors •
 - 2 connecting screws • 2 set screws •
- Tape Measure • Level • One Tube White or Clear Silicone • Wrench • Pencil •



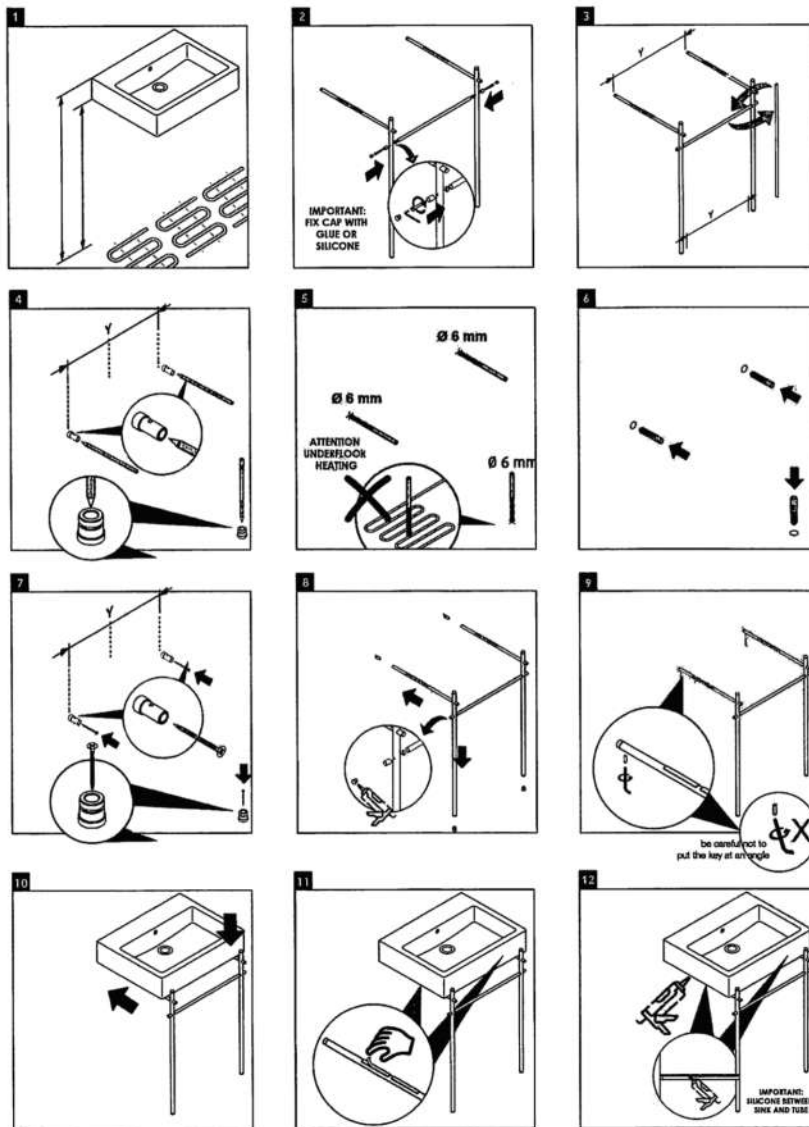
NOTE:

DO NOT tighten too much or you may damage console.

INSTALLATION INSTRUCTIONS

Tools Needed

- Screwdriver • Drill & Bits • 1 large Allen Key • 1 small Allen Key • 4 wood screws • 4 anchors •
 • 2 connecting screws • 2 set screws •
- Tape Measure • Level • One Tube White or Clear Silicone • Wrench • Pencil •



NOTE:

DO NOT tighten too much or you may damage console.