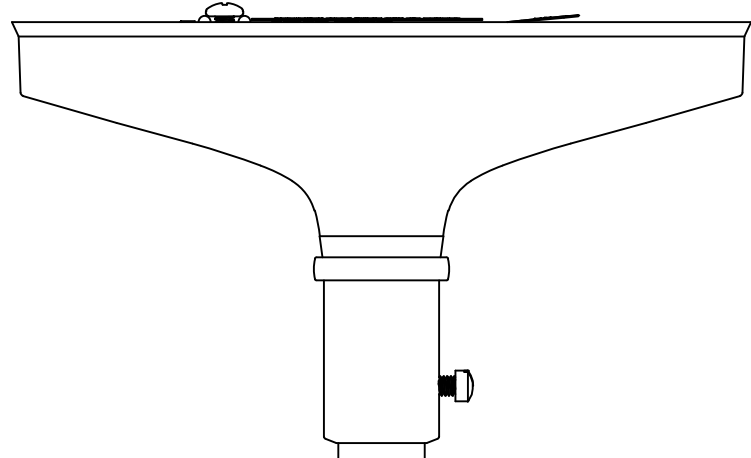


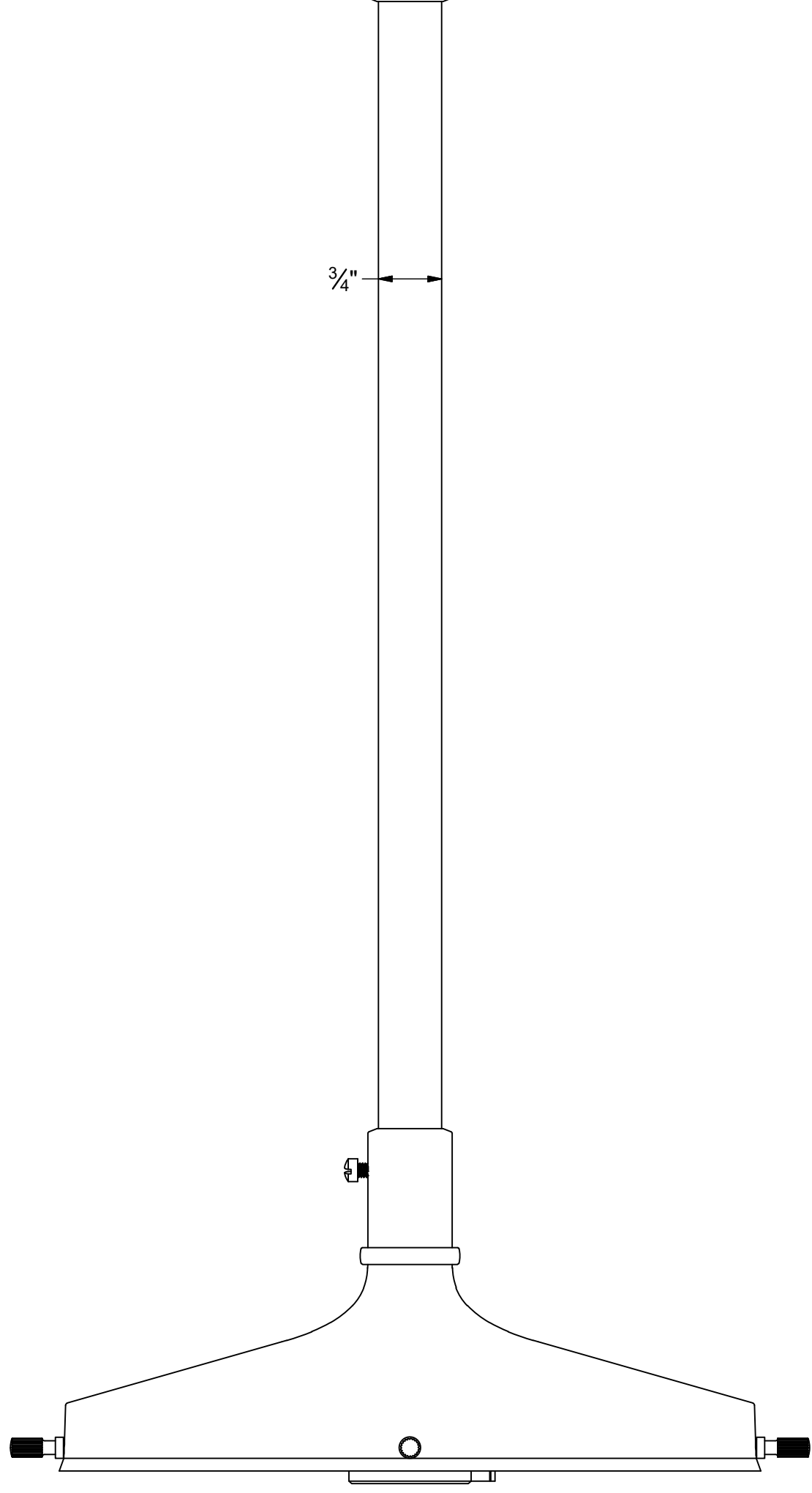
← $\text{Ø}6\frac{3}{8}"$ →



↑ $3\frac{5}{8}"$ ↓

← $\frac{3}{4}"$ →

Fixture Length
10 -144



↑ 4" ↓

← $\text{Ø}8\frac{3}{8}"$ →

A7470
Eastmoreland pendant 8in fitter Incan

REJUVENATION