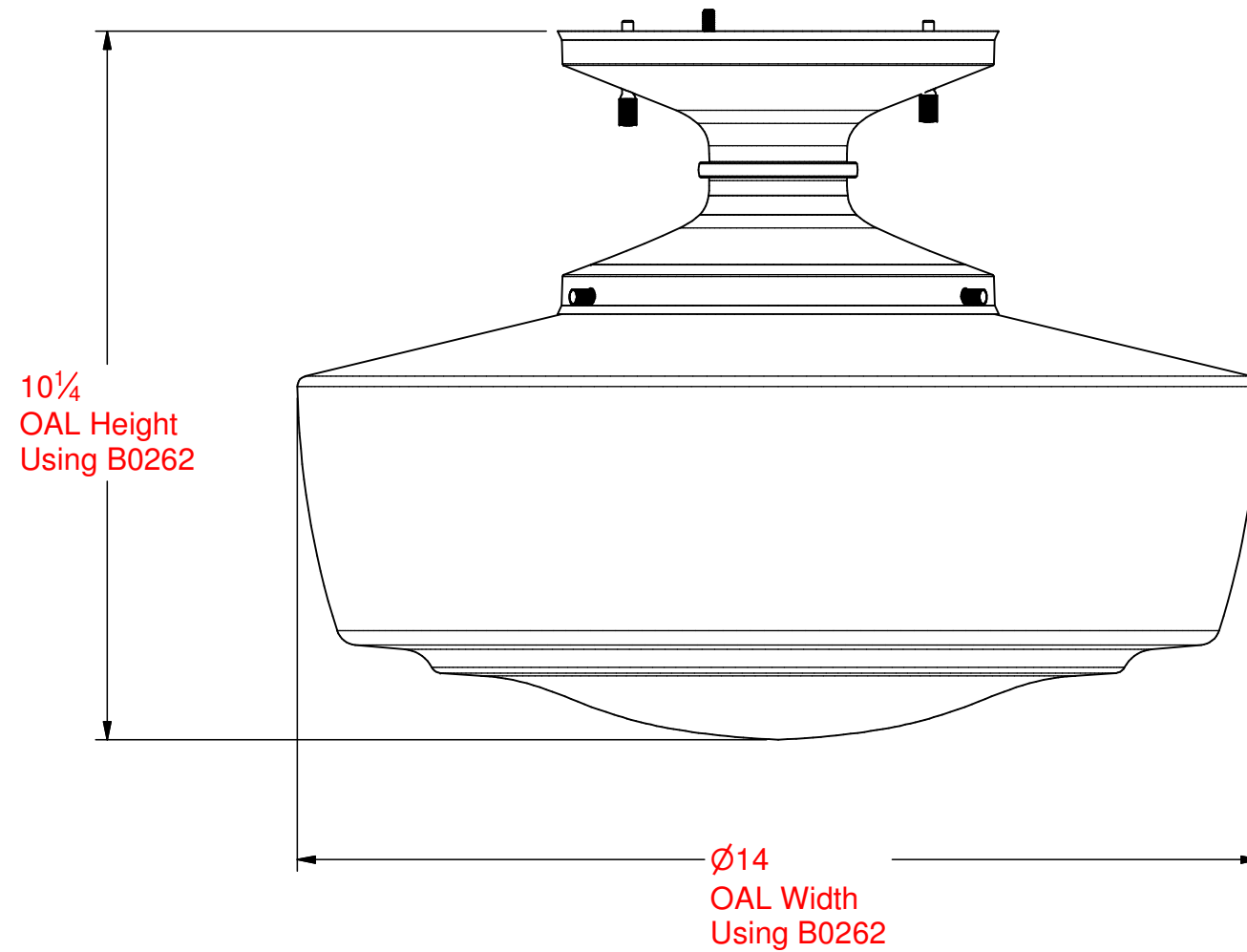
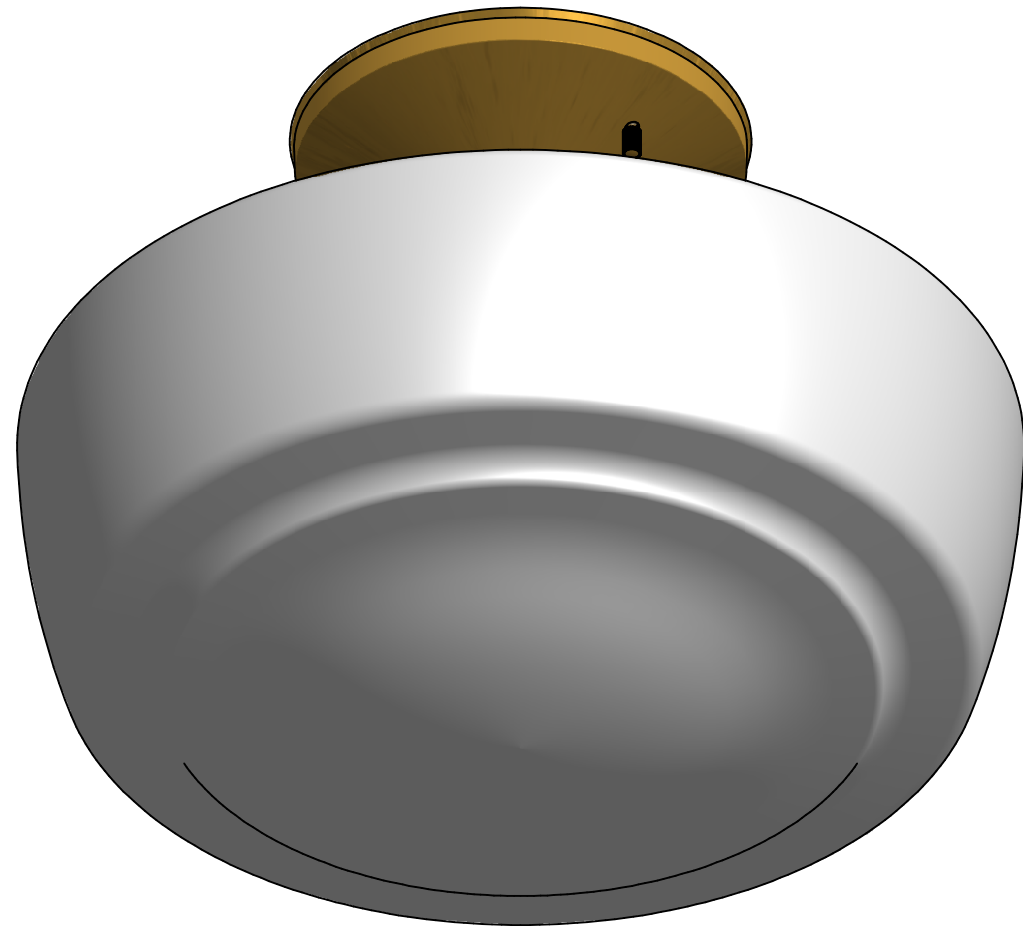
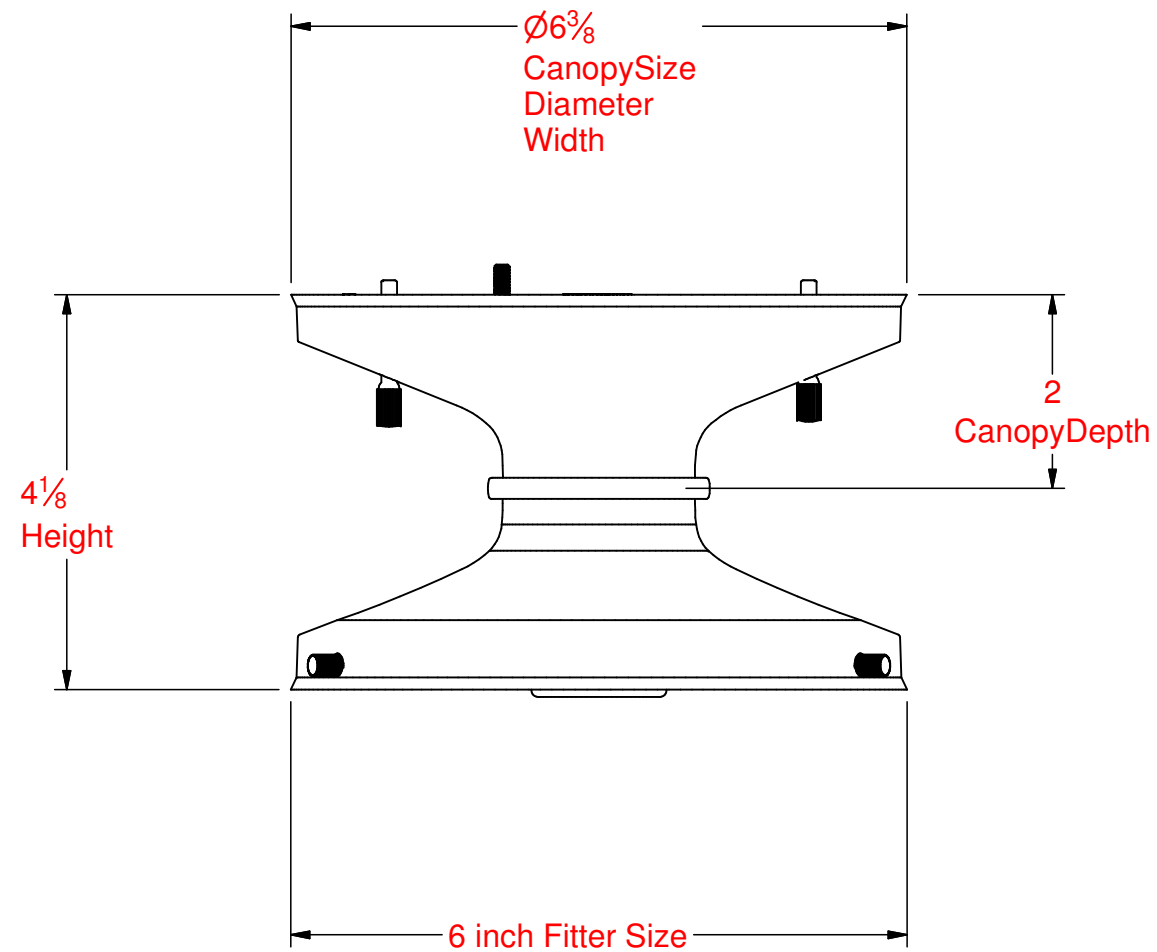


CATALOGUE SPECIFICATION



ITEM # : A6917 -- XX		REV	0
FINISH:	DESCRIPTION: Eastmoreland semi flush 6 in fitter		
MATERIAL:	DRAWN BY: JS	DATE: 10/29/2013	
MATERIAL DESCRIPTION:	UNLESS NOTED DIMENSION ARE IN INCHES [MILLIMETERS]		TOLERANCES X.X ± 0.1 [2.5] X.XX ± 0.05 [1.27] X.XXX ± 0.010 [0.25] ANGULAR ± 1°
WEIGHT lbs [kg] : N/A	SCALE: .375	DO NOT SCALE DRAWING FOR DIMENSIONS REJUVENATION <small>PROPRIETARY AND CONFIDENTIAL INFORMATION CONTAINED IN THIS DOCUMENT IS THE PROPERTY OF REJUVENATION, INC.</small>	
SHEET 6 OF 7		SHEET SIZE:	B

SALES DIMENSION SPECIFICATION



Eastmoreland semi flush 6 in fitter SPECIFICATIONS

ITEM #: **A6917**

Fixture Type	Semi-Flush
Finishes Available	AK, BA, BK, BN, LQ, OB, OL, PC, PN, UN
Installation Instructions	z9247
ELECTRICAL DATA	...
UL Location	Damp
No. of Sockets	1
Wattage	60
Wattage per Socket	60
1st Socket Choice	Incandescent
2nd Socket Choice	GU24
3rd Socket Choice	None
GU24 Lamps	Spiral (13W, 9W)
FIXTURE OPTIONS	...
Rotary Switch Available	No
Pull Switch Available	No
Loop at Fitter Available	No
DIMENSIONAL DATA	...
Diameter	6.421
Canopy Size-OD or Width	6.416
Canopy Depth	1.984
Fitter Size	6 inch
Height	4.107
Weight	1.66 lbs

ITEM # : A6917 -- XX		REV	0
FINISH:	DESCRIPTION: Eastmoreland semi flush 6 in fitter		
MATERIAL:	DRAWN BY: JS	DATE: 10/29/2013	
MATERIAL DESCRIPTION:	UNLESS NOTED DIMENSION ARE IN INCHES [MILLIMETERS]	TOLERANCES X.X ± 0.1 [2.5] X.XX ± 0.05 [1.27] X.XXX ± 0.010 [0.25] ANGULAR ± 1°	
WEIGHT lbs [kg] : N/A	SCALE: 1 / 2	DO NOT SCALE DRAWING FOR DIMENSIONS	REJUVENATION <small>PROPRIETARY AND CONFIDENTIAL INFORMATION CONTAINED IN THIS DOCUMENT IS THE PROPERTY OF REJUVENATION, INC.</small>
SHEET 7 OF 7		SHEET SIZE:	B