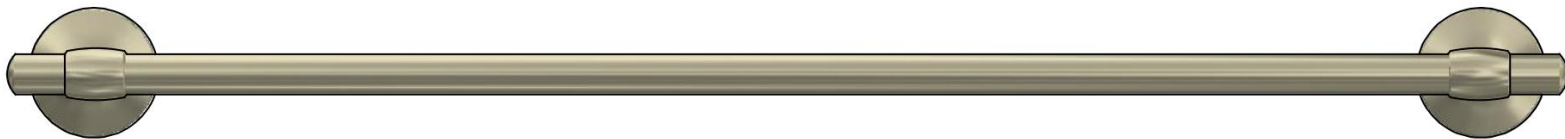


24" TOWEL BAR



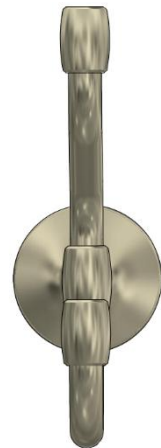
TOWEL RING



TP HOLDER



HOOK



**EASTMORELAND BATH HARDWARE**

**CALIFORNIA PROPOSITION 65 WARNING:** This product can expose you to chemicals including Lead which is known to the State of California to cause cancer and birth defects or other reproductive harm. For more information go to [www.P65warnings.ca.gov](http://www.P65warnings.ca.gov).

## PARTS INCLUDED

### Hook/Paper Holder/Towel Ring:

1pc Set screw, 1pc Mounting bracket, 1pc Allen key  
2pcs Anchors, 2pcs Mounting screws

### 24" Towel Bar:

2pc Set screw, 2pc Mounting bracket, 1pc Allen key,  
4pcs Anchors, 4pcs Mounting screws

## MOUNTING INSTRUCTIONS FOR TYPICAL DRYWALL APPLICATIONS

Note: Consult your local hardware store for proper mounting to other wall materials.

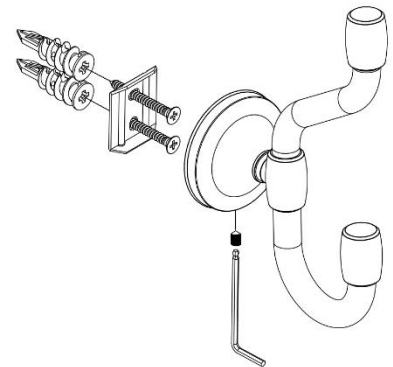
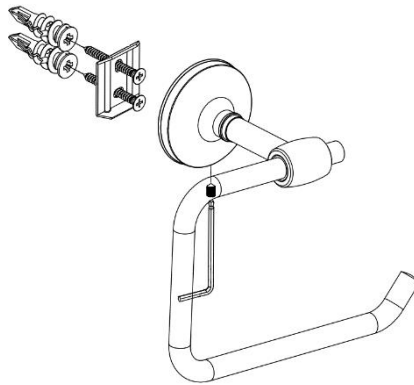
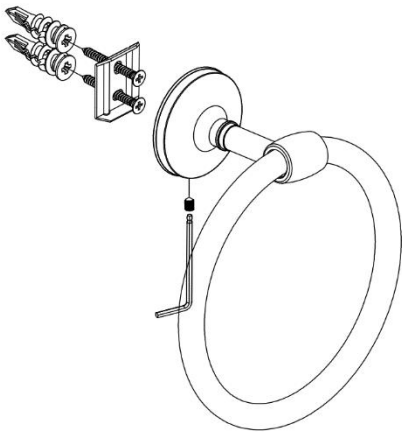
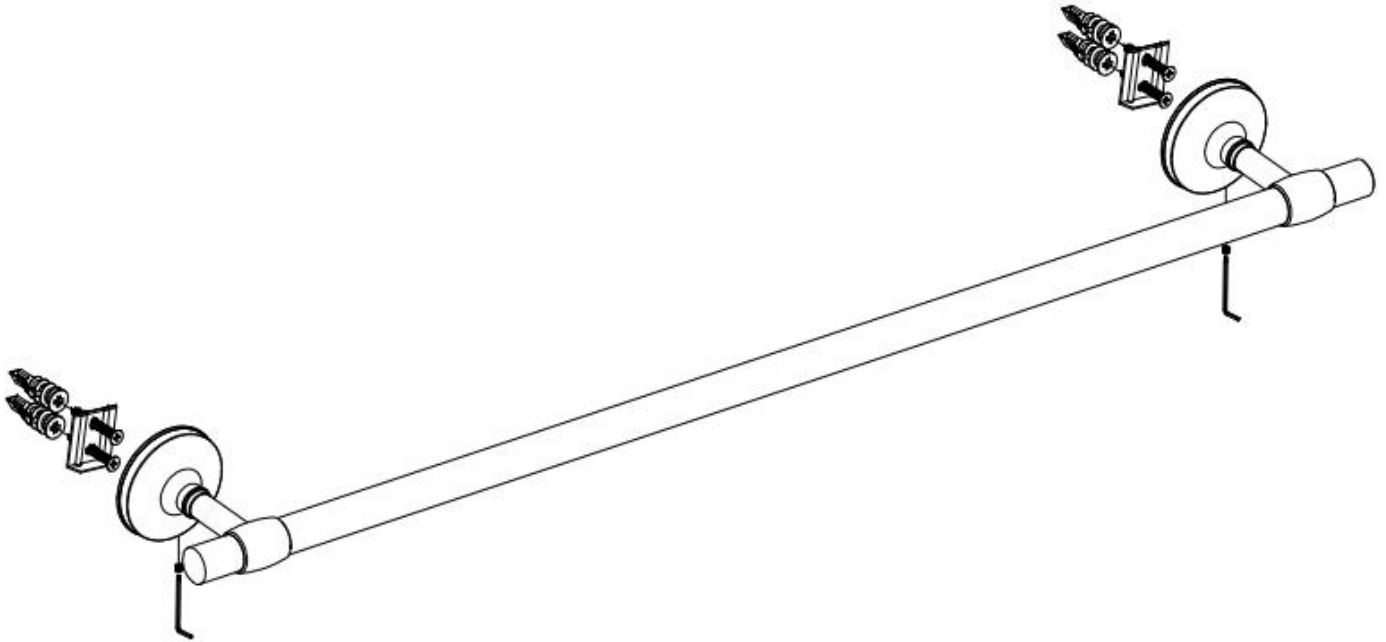
Tools Required: Phillips and slotted screwdriver, Pencil.

### Hook/Paper Holder/Towel Ring:

1. Determine the desired location.
2. Mark the location for mounting screws.
3. Use a Phillips screwdriver to insert the wall anchors. Do not "push" or drive the anchors into the wall, it is designed to bore into the wall like a screw. Slowly turn the anchors clockwise while applying pressure until the flange just touches the wall.
4. Using the two supplied screws to secure mounting bracket to wall.
5. Slide the product over bracket and secure it with the set screw using the supplied Allen Key.

### 24" Towel Bar:

1. Determine the desired location.
2. Mark the location for mounting screws.
3. Use a Phillips screwdriver to insert the wall anchors. Do not "push" or drive the anchors into the wall, it is designed to bore into the wall like a screw. Slowly turn the anchors clockwise while applying pressure until the flange just touches the wall.
4. Using the supplied screws to secure mounting bracket to wall. Turn mounting screws clockwise just until you feel resistance.
5. Using a tape measure and level determine the location for the second mounting bracket, repeat Step 2 and 3.
6. Using the supplied screws to secure mounting brackets to wall. Turn mounting screws clockwise just until you feel resistance.
7. Slide Towel bar over brackets and secure it with the set screws using the supplied Allen key.



## CLEANING INSTRUCTIONS

1. Dust often using a clean, soft, dry and lint-free cloth.
2. Blot spills and wipe with a clean, damp cloth immediately.
3. We do not recommend the use of chemical cleansers, abrasives or furniture polish on our lacquered finish.
4. Hardware may loosen over time. Periodically check to make sure all connections are tight. Re-tighten if necessary