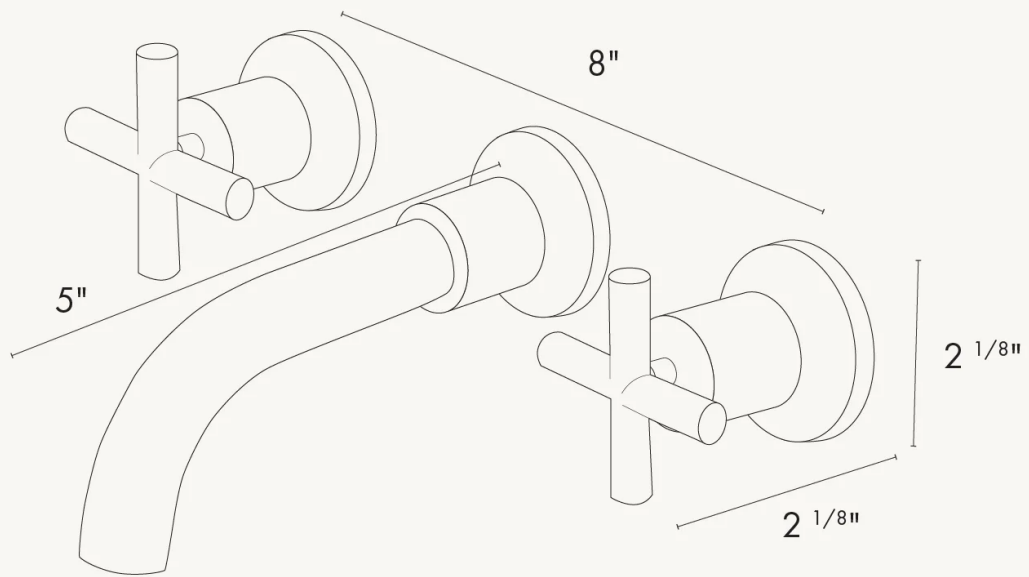


# 2 HANDLE FAUCET

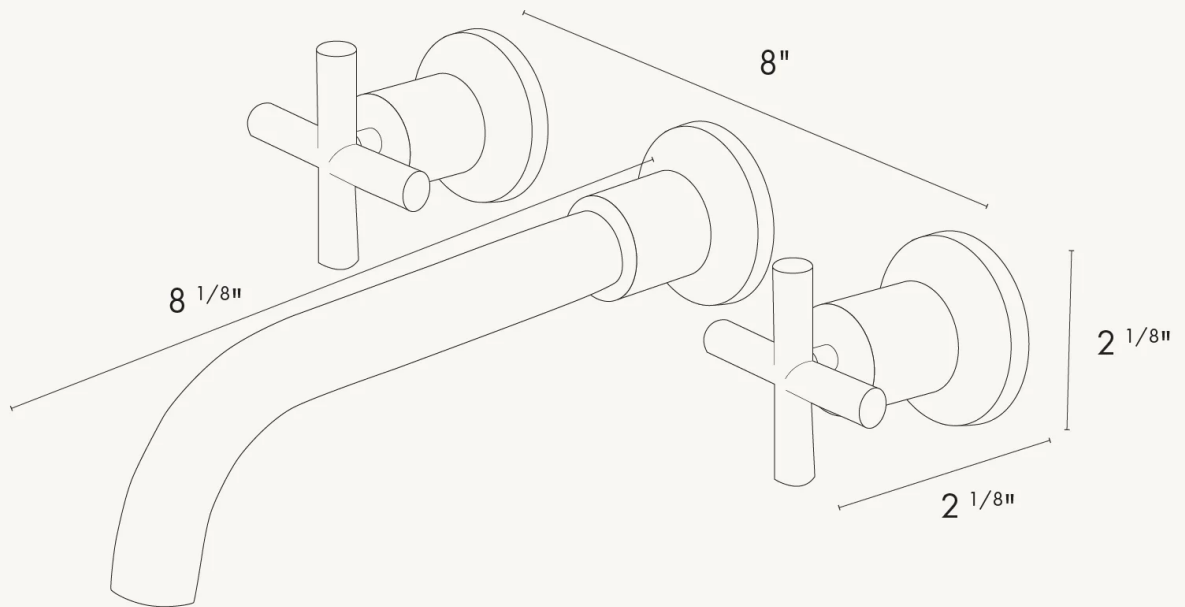
*Mini San Francisco / Short Spout*



CONCRETI

# 2 HANDLE FAUCET

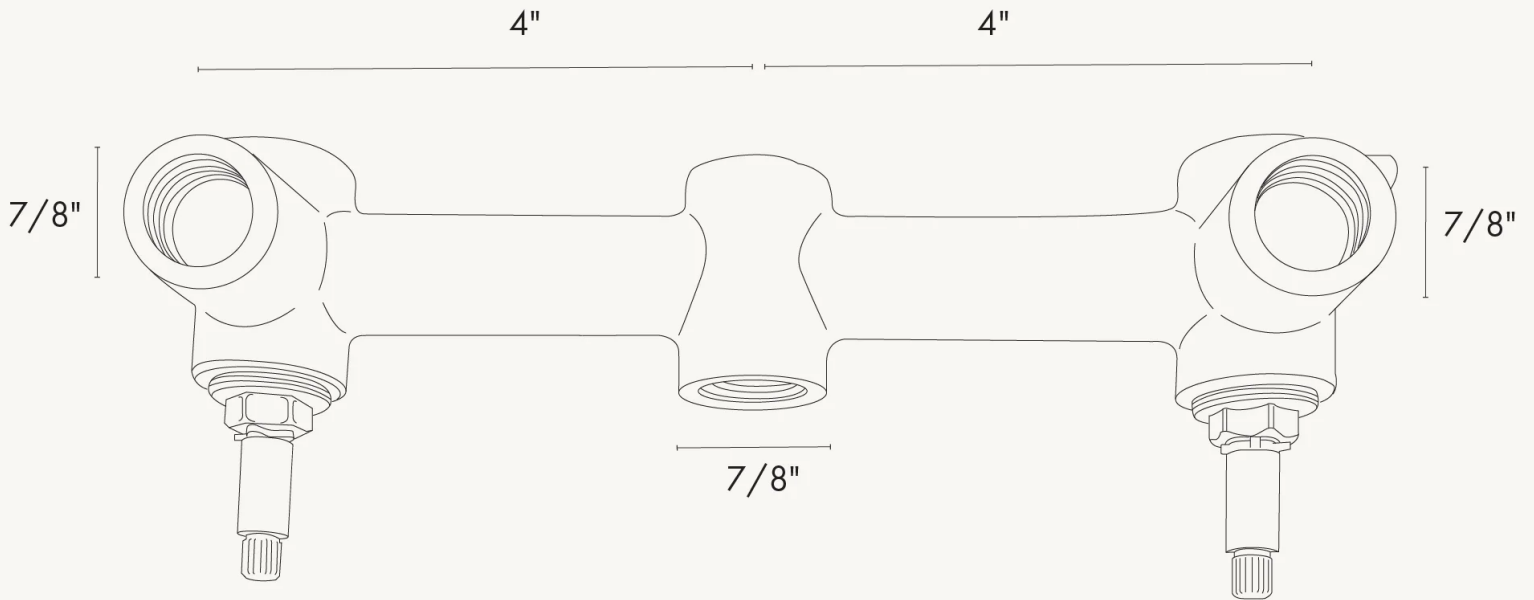
*San Francisco / Standard Spout*



CONCRETI

# 2 HANDLE FAUCET

*Rough In*



CONCRETI