

(Product may differ)

Frameless Beveled Pivot Mirror

⚠ WARNING: This product can expose you to chemicals including Lead which is known to the State of California to cause cancer and birth defects or other reproductive harm. For more information go to www.P65warnings.ca.gov.

BOX 1:

Frameless Pivot Mirror 1 pc

BOX 2:

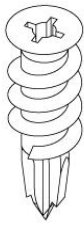
Mirror Clips 2 pcs

BOX 3:

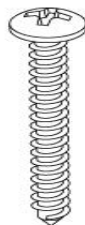
Decorative Wall Brackets 2 pcs Mounting Screws 4 pcs

Drywall Anchors 4 pcs Mounting Plates 2 pcs

Allen Wrench 1 pc



Drywall Anchor



Mounting Screw



Set Screw

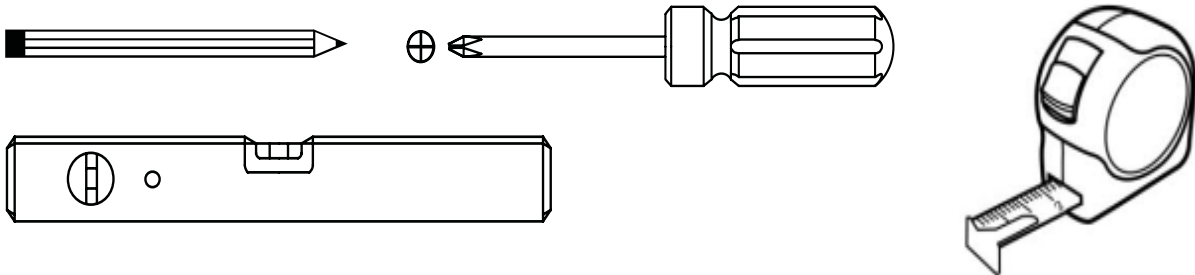


Allen Wrench

MOUNTING INSTRUCTIONS FOR TYPICAL DRYWALL APPLICATIONS

Note: Consult your local hardware store for proper mounting to other wall materials.

Tools required: Phillips screwdriver, pencil, tape measure, and level.

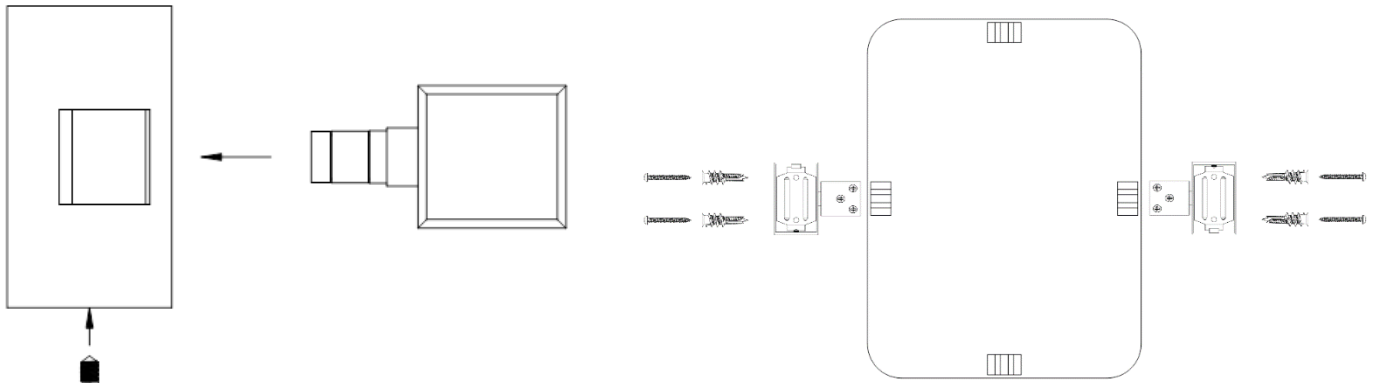


1. Remove clear protective plastic.
2. Carefully place the mirror face down on a soft towel to prevent scratching.
3. Slide the Mirror Clips over the metal anti-slip brackets on the back of the mirror with the screws facing up. Lightly tighten screws to hold in place. Using a level and tape measure, assure that the clips are centered and straight on the mirror. Tighten the clip screws until snug.
4. Flip mirror over and inspect for proper visual alignment. If adjustment is necessary, flip mirror back over, loosen Mirror Clip screws and adjust then when necessary. Again, tighten clip screws.
5. With the mirror face down, slide the decorative wall brackets onto the clip posts so that the set screw is orientated down.
6. Measure the center spacing; you will use this measurement in the steps below.
7. After determining the desired location on your wall, loosen set screws from bottom of both decorative wall brackets to release the mounting plates.
8. Place one of the mounting plates in desired location. Lightly mark the location of the mounting holes.
9. Remove the mounting plate from the wall. Use a tape measure and level to mark the location of the second mounting plate.
10. Install the drywall anchors: using only a Phillips head screwdriver, pierce the tip of the anchor into the

wall. Do not push or pound the anchors into the wall; they are designed to bore into the wall like a screw. Turn clockwise until anchor is flush with the wall.

Note: you can use the tip of a Phillips head screwdriver to create a pilot hole.

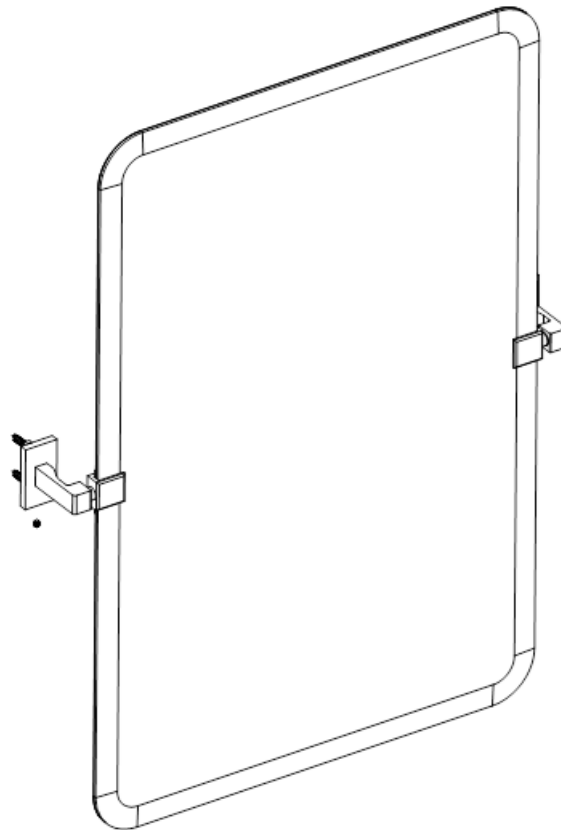
11. Install the bracket mounting plates with the supplied screws and tighten firmly.
12. With the help of an assistant, lift the mirror into place, tipping back slightly so that the top of the bracket clips over the mounting plates. Carefully push the brackets so that they are flush to the wall. Tighten set screws on the bottom of the pivot brackets with the supplied Allen wrench.



Decorative
Wall Brackets
(Actual shape
may differ)

Mirror Clips

Mirror Back



Assembled Mirror with Brackets

CARE INSTRUCTIONS

To maintain and protect the luster of all products, clean with a soft, damp cloth only.

Important: Do not hang objects, such as towels, from the installed mirror.