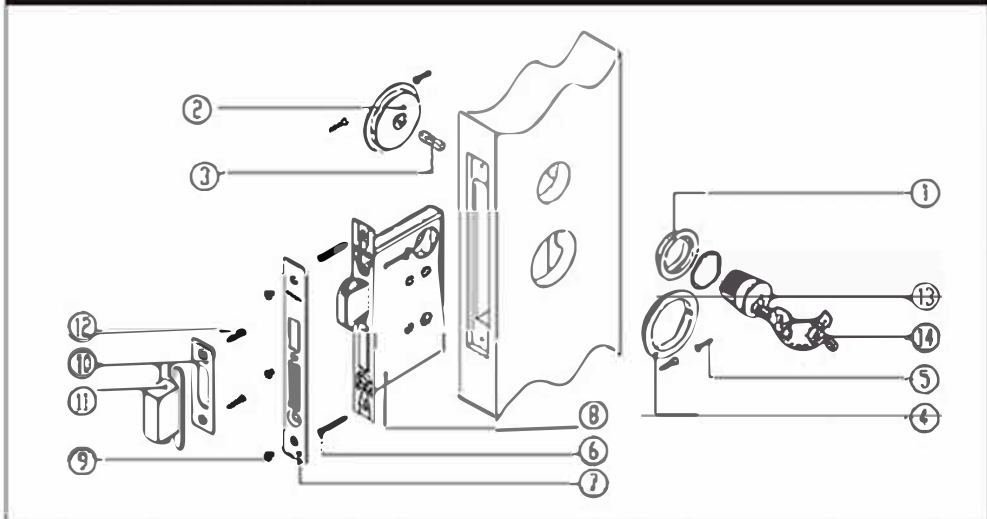


8000 Series Pocket Door Lock Set Parts List:

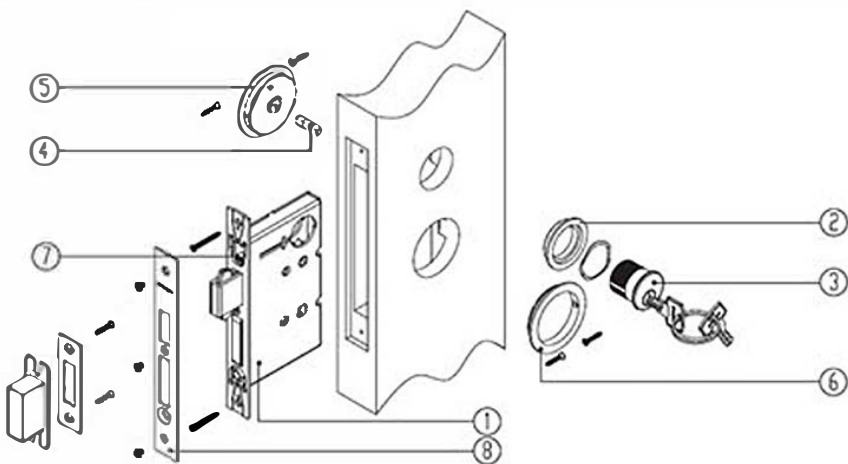
Gorge, Tryon Pocket door



Items	No.	Parts Description	Function				
			Passage	Privacy	Entry	Patio	Dummy
Flush Pull Parts	1	Outside Cylinder Flush Pull	-	-	1 EA	-	-
	2	Inside Flush Pull	1 EA	1 EA	1 EA	1 EA	1 EA
	3	Spindle	-	1 EA	1 EA	1 EA	-
	4	Outside Flush Pull	1 EA	1 EA	1 EA	1 EA	1 EA
	5	#6 Wood Screw	4 EA	4 EA	4 EA	4 EA	4 EA
Locks	6	Mortise Pocket Lock	1 EA	1 EA	1 EA	1 EA	-
	7	Armored Faceplate	1 EA	1 EA	1 EA	1 EA	-
	8	#8 screws for Inner Faceplate	2 EA	2 EA	2 EA	2 EA	-
	9	#8 screws for Armored Faceplate	3 EA	3 EA	3 EA	3 EA	-
	10	Striking Plate	1 EA	1 EA	1 EA	1 EA	-
	11	Dust Box	1 EA	1 EA	1 EA	1 EA	-
	12	Screws for Striking Plate	2 EA	2 EA	2 EA	2 EA	-
	14	Key	-	-	2 EA	-	-
Others	-	Door Prep Template	1 EA	1 EA	1 EA	1 EA	1 EA
	-	Installation Instruction	1 EA	1 EA	1 EA	1 EA	1 EA

Gorge, Tryon Flush Pull with PD8000 Pocket Door Lock Installation Instructions:

For Entry w/Single Cylinder Function: PD8450



1. Install mortise lockcase.

▲ Note: Do NOT tighten faceplate screws until after installing cylinder.

2. Install outside cylinder flush pull.

3. Install outside cylinder without key.

Note: Key slot on cylinder should be on lower off-center position.

See Section A-A.

Note: Using keys to test cylinder cam operates deadbolt smoothly.

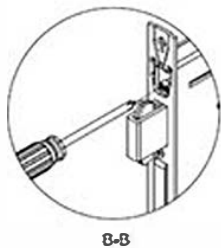
4. Insert thumb-turn spindle into the spindle hole of mortise lockcase.

5. Install inside flush pull with 2 EA #6 wood screws.

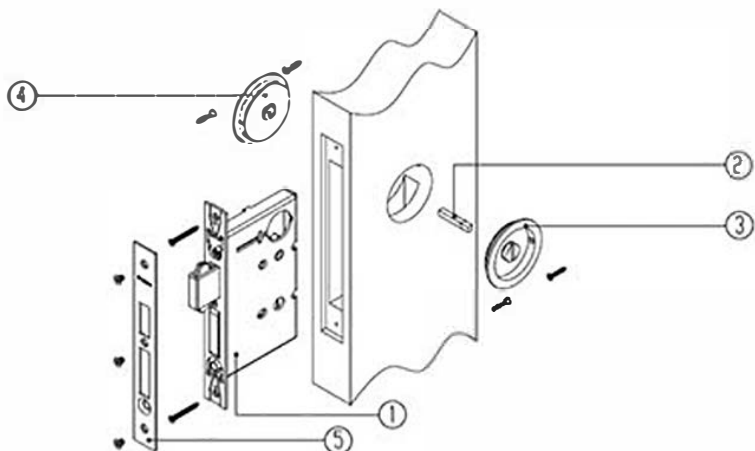
6. Install outside flush pull with 2 EA #6 wood screws.

7. Use a screw driver to tighten yoke inside lock case through faceplate to fix the cylinder in position. See Section 8-B.

8. Install armored faceplate with screws.



For Privacy, Patio, Passage w/ Lockcase, Passage w/ Lockcase as Dust Proof Strike, Dummy w/o Lock Case Function: PD8440, PD8460, PD8010, PD8115, DP



1. Install mortise lockcase.

▲ Note: Do NOT tighten faceplate screws until after installing flush pulls.

2. Insert thumb-turn spindle into the spindle hole of mortise lockcase.

3. Install outside flush pull with 2 EA #6 wood screws.

4. Install inside flush pull with 2 EA #6 wood screws.

Note: Please ensure flush pulls on both sides are at right position before tightening wood screws.

5. Install armored faceplate with screws.



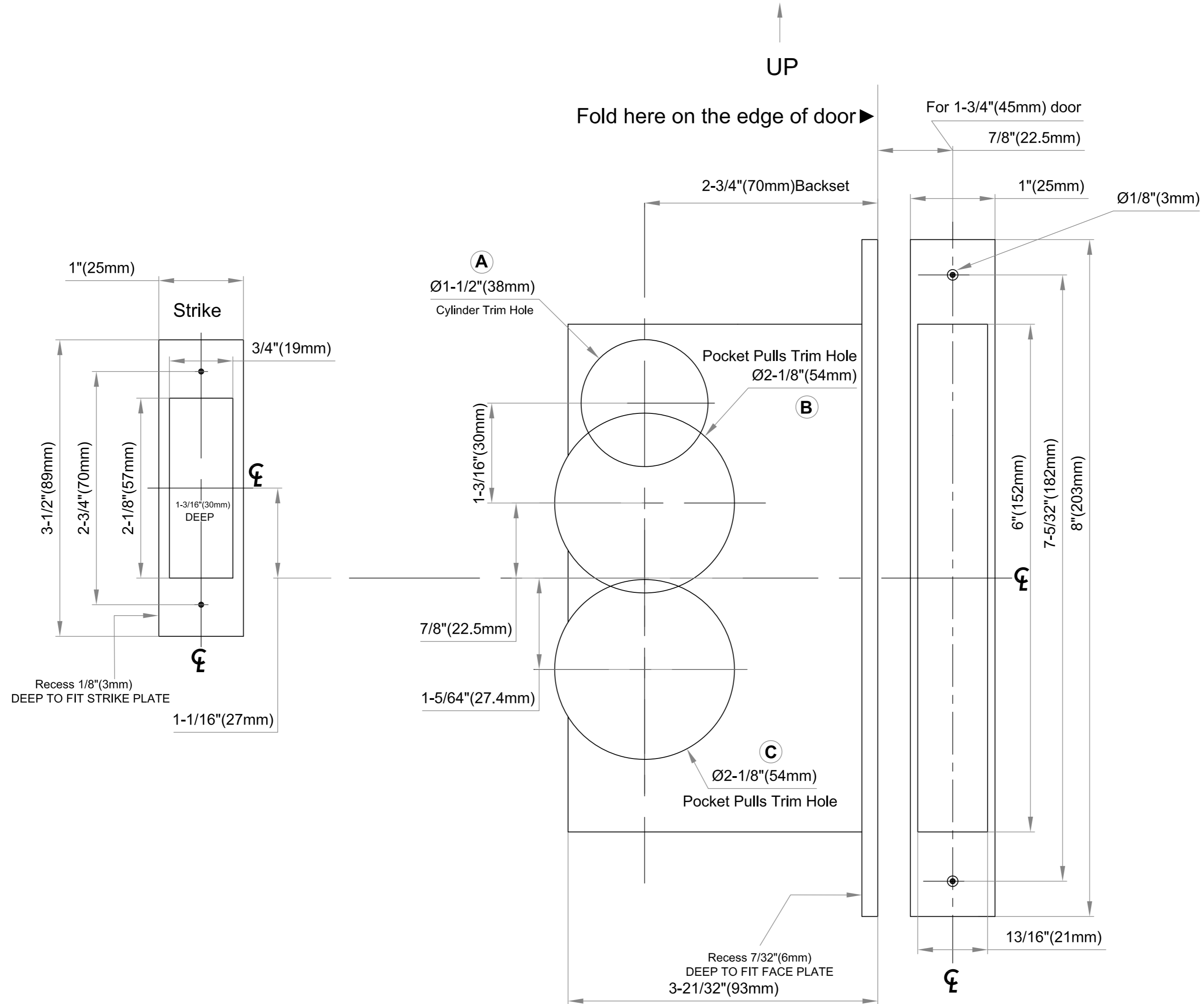
Template For PD8000 Mortise Locks with FH22&23 Flush Pulls for Pocket Door

Case Size: 3-21/32" x 6" x 11/16"(93mm x 152mm x 17mm)

Backset: 2-3/4"(70mm)

Lock Front: 1" x 8" x 15/64"(25.4mm x 203mm x 6mm)

Cylinder to Thumb Turn: 1-3/16"(30mm)



FOR OPPOSITE HAND
PLEASE SEE REVERSE SIDE

Dimensions do not provide allowances for door silencers,
weather stripping, sound proofing or other additions to door or door frames.

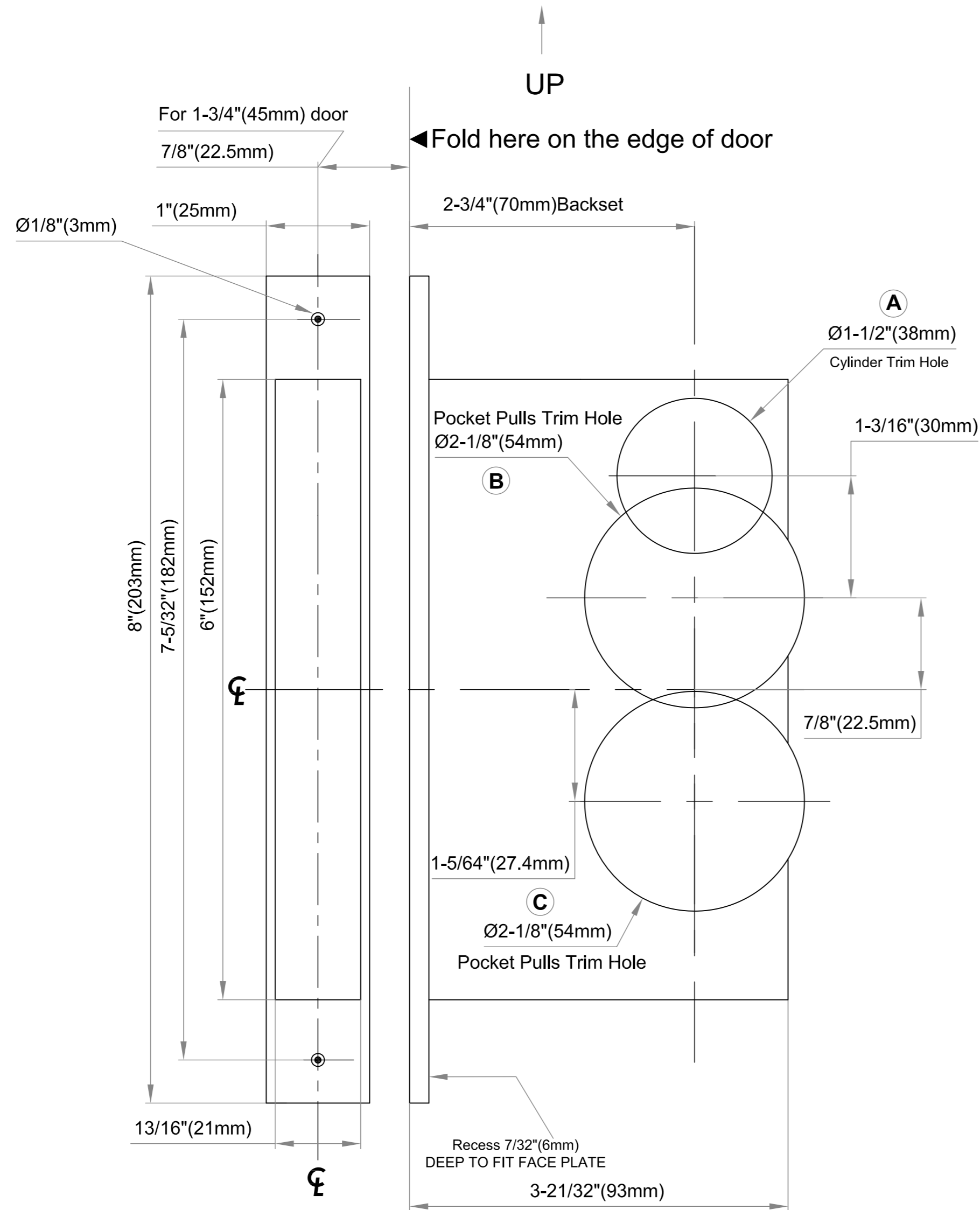
Template For PD8000 Mortise Locks with FH22&23 Flush Pulls for Pocket Door

Case Size: 3-21/32" x 6" x 11/16"(93mm x 152mm x 17mm)

Backset: 2-3/4"(70mm)

Lock Front: 1" x 8" x 15/64"(25.4mm x 203mm x 6mm)

Cylinder to Thumb Turn: 1-3/16"(30mm)



FOR OPPOSITE HAND
PLEASE SEE REVERSE SIDE

Match With Vertical Line Drawn On Door

Dimensions do not provide allowances for door silencers,
weather stripping, sound proofing or other additions to door or door frames.

Door preparation using template supplied.

Please read the Installation Instruction Carefully before drilling any holes on the door.
Choose the correct holes to drill for the corresponding functions.

Function	Item Ref.	Outside Holes			Inside Holes					
		A	B	C	A	B	C			
PD8010	...XXX...		●			●				
PD8115	...XXX...		●		●		●	●	●	●
PD8440	...XXX...		●		●			●		
PD8450	...XXX...	●				●				
PD8460	...XXX...		●			●		●	●	●
DP	...XXX...		●		●					