

Template:Door set Harrington pocket door passage

DOOR SIDE

DOOR EDGE

MORTISE  
0.25" DEPTH

2.25"

DOOR PLATE RECESS

MORTISE  
0.12" DEPTH

MORTISE  
3.0" DEPTH

7.48"

CENTERLINE OF  
MORTISE BODY

3.35"

4.88"

0.12"

0.71"

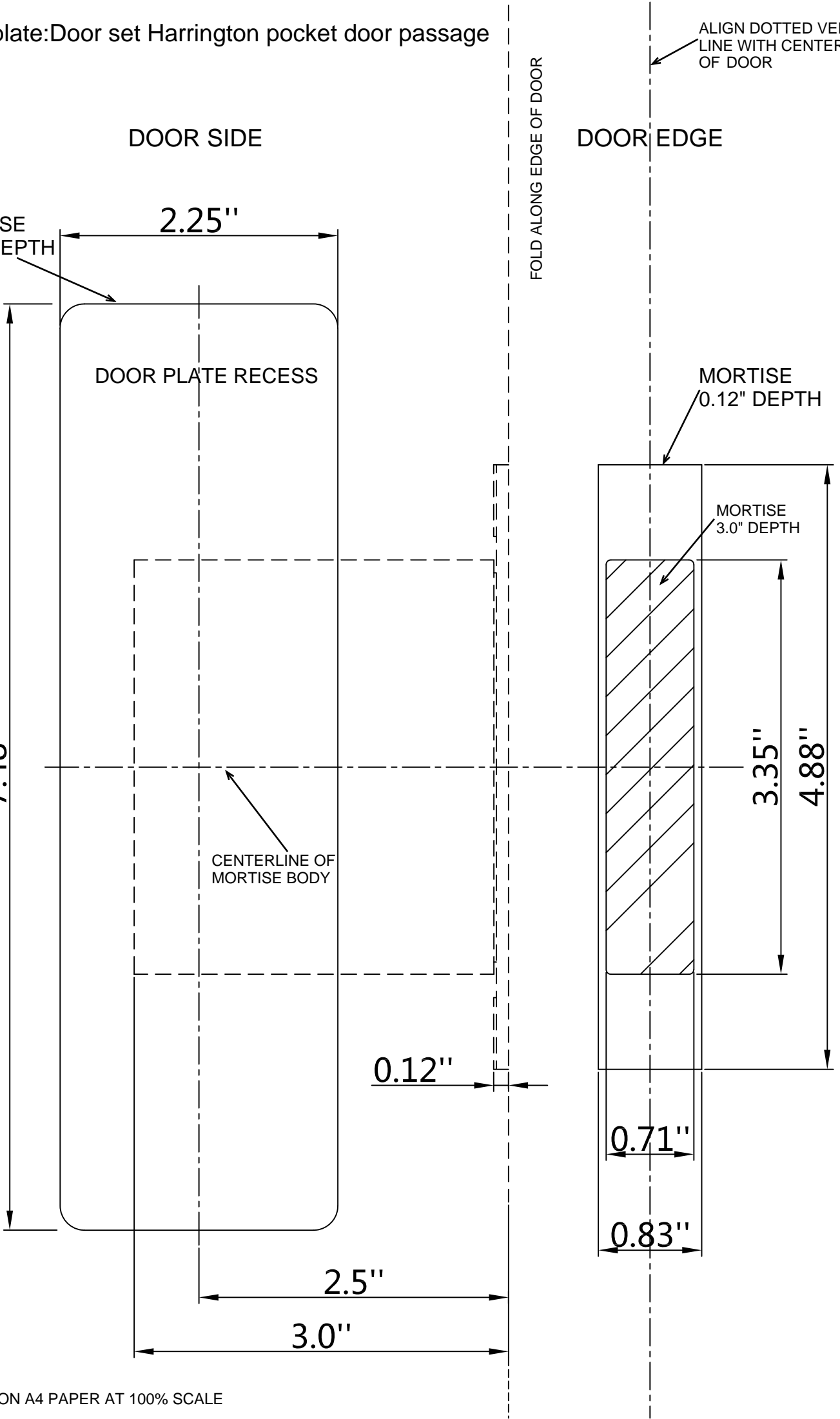
0.83"

2.5"

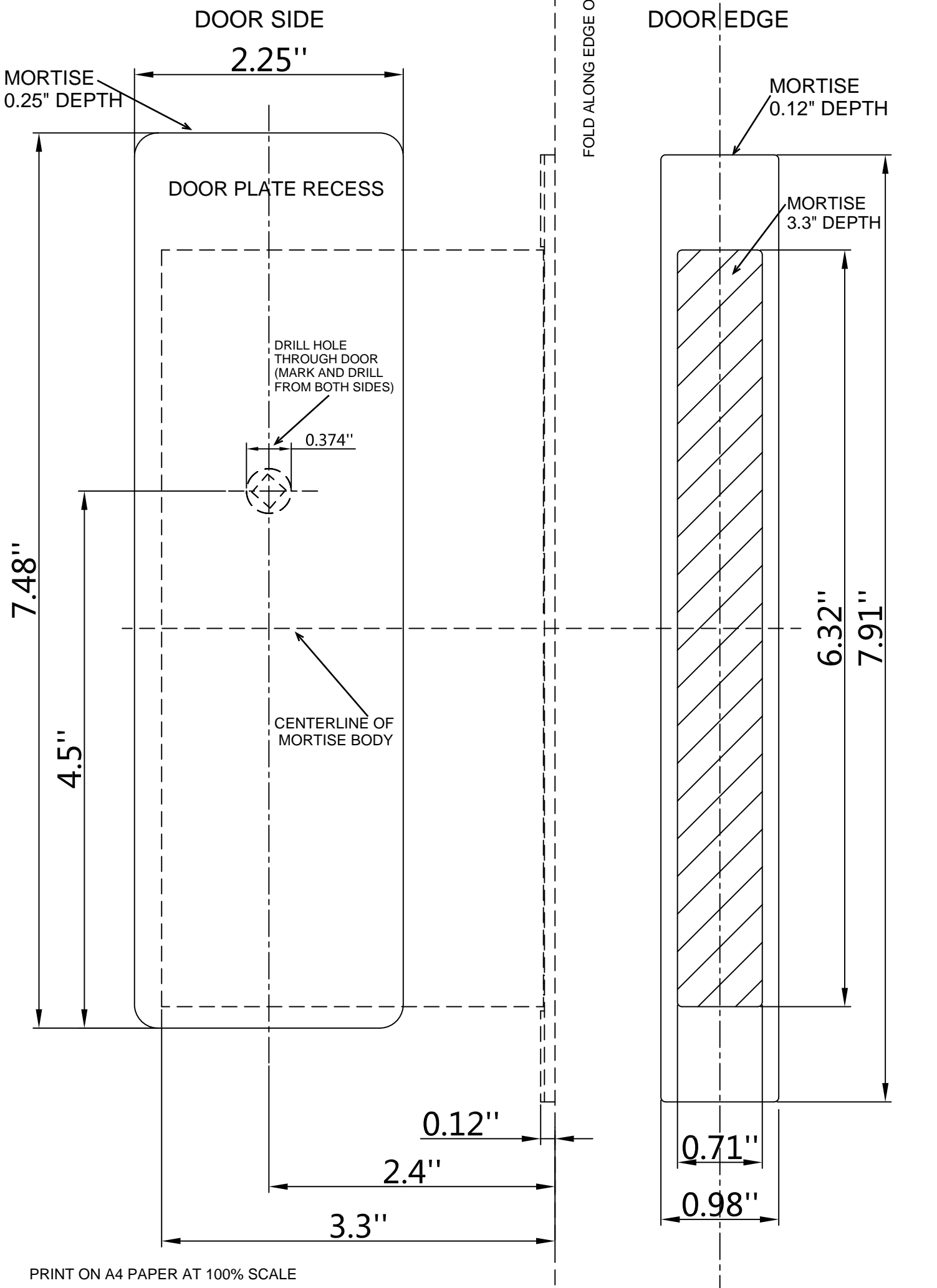
3.0"

FOLD ALONG EDGE OF DOOR

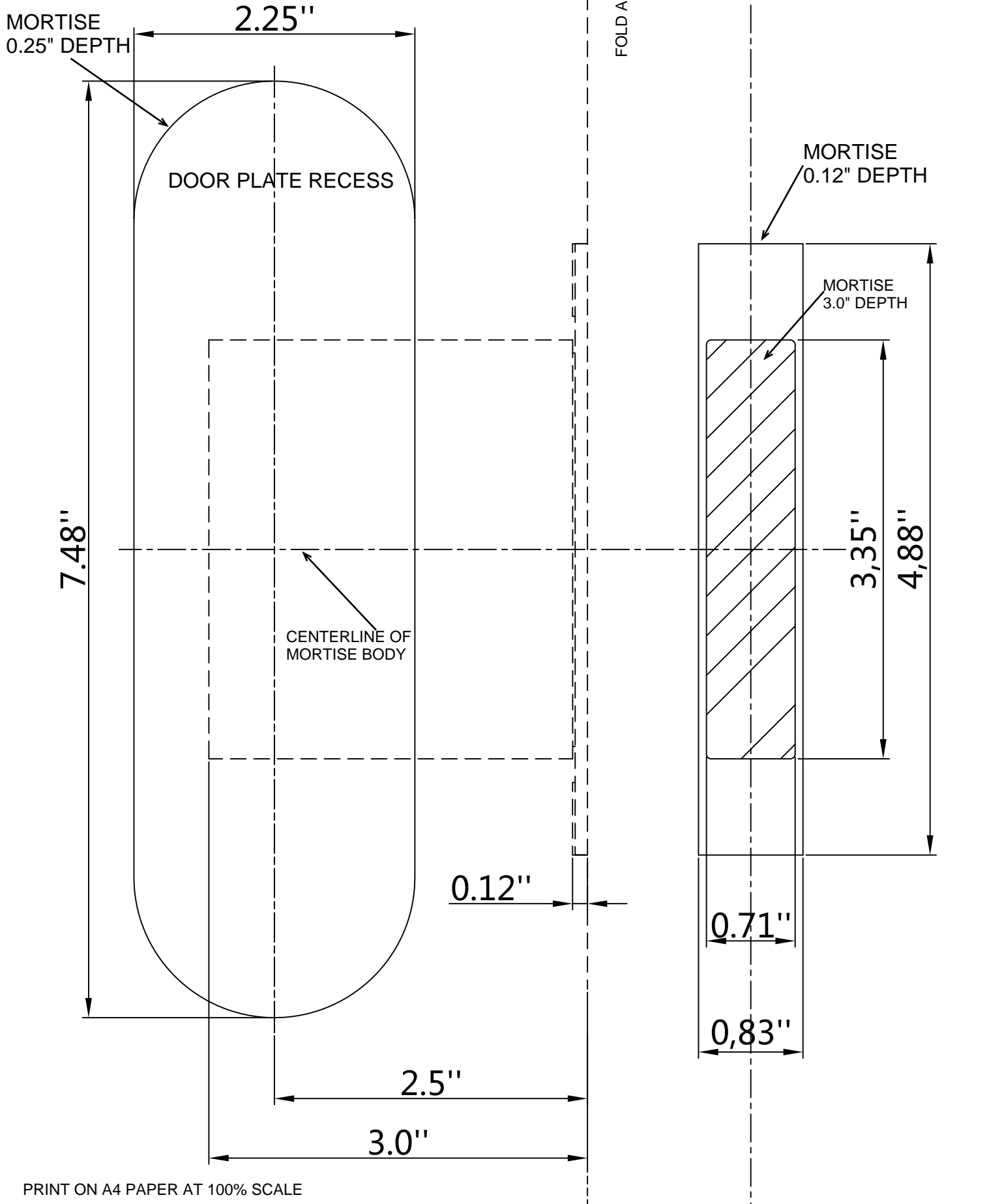
ALIGN DOTTED VERTICAL  
LINE WITH CENTERLINE  
OF DOOR



Template:Door set Harrington pocket door privacy



Template:Door set Eastbank pocket door passage



Template:Door set Eastbank pocket door privacy

