

Modular shelf Hart
Étagère modulaire Hart
Estante modular Hart

Maximum total weight capacity for this product is 150 pounds (68 Kg), (30 pounds (13.6 Kg) maximum per shelf).

“WARNING! DO NOT MOUNT THIS ITEM ABOVE CRIBS, BEDS, or CHANGING TABLES.”

ATTENTION! NE PAS MONTER CET ARTICLE OU-DESSUS du berceaux, lits, ou tables à langer.

ADVERTENCIA! NO MONTE ESTE ARTÍCULO ARRIBA cunas, camas, o mesas para cambiar pañales.

⚠ ENGLISH

- Do not dispose of any packaging or contents of the shipping carton until assembly is completed to avoid accidentally discarding small parts or hardware.

⚠ FRANÇAIS

- Ne jetez rien des produits d'emballage et du contenu de la boîte jusqu'à ce que l'assemblage soit terminé, afin d'éviter de jeter par mégarde de petites pièces ou des morceaux.

⚠ ESPAÑOL

- Para evitar desechar accidentalmente las partes pequeñas o las piezas de ferretería, no tirar el embalaje o contenido de la caja hasta que el ensamblaje esté completo.

Care Instructions:

- Dust often using a clean, soft, dry and lint-free cloth.
- When blot spills, wipe with a clean, damp cloth immediately.
- We do not recommend the use of chemical cleansers, abrasives or furniture polish on our lacquered finish.
- Hardware may loosen over time. Periodically check to make sure all connections are tight. Re-tighten if necessary.

Instructions d'entretien :

- Épousseter régulièrement avec un chiffon propre, doux et non pelucheux.
- Éponger immédiatement les liquides renversés et essuyer à l'aide d'un chiffon propre et humide.
- L'utilisation de produits nettoyants chimiques, d'abrasifs ou d'encaustiques sur nos finitions laquées n'est pas recommandée.
- Le matériel de fixation peut se desserrer avec le temps. Vérifiez régulièrement afin de vous assurer que tous les raccords sont bien serrés. Resserrez-les au besoin.

Instrucciones de cuidado:

- Limpiar el polvo con un trapo limpio, suave, seco y libre de pelusas.
- Secar los derrames de inmediato y limpiar con un trapo limpio y húmedo.
- Recomendamos no usar limpiadores químicos, abrasivos o lustramuebles sobre el acabado barnizado.
- Las piezas de ferretería pueden aflojarse con el tiempo. Controlar periódicamente que estén bien ajustadas. Si es necesario, volver a ajustarlas.

Note: Supplied mounting hardware is for typical drywall construction. For other wall materials, please consult your local independent hardware store. Tools Required: Level, tape measure, Phillips head screwdriver, pencil, blue painters tape

Remarque : le matériel de montage fourni est destiné à une construction sur cloison sèche typique. Pour tout autre matériel, consulter la quincaillerie locale. Outils nécessaires : niveau, ruban à mesurer, tournevis cruciforme, crayon, ruban bleu

Nota: Las piezas de ferretería para el montaje que se suministran son para una construcción típica de muro seco. Para paredes de otros materiales, consulte a su ferretería independiente local. Herramientas necesarias: Nivel, cinta métrica, destornillador Phillips, lápiz, cinta de pintor azul.

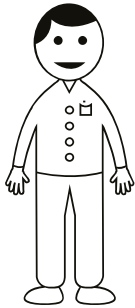
REJUVENATION

Assembly instructions
Instructions d'assemblage
Instrucciones de Ensamblaje

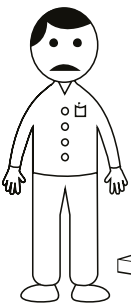
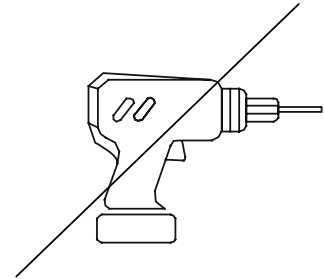
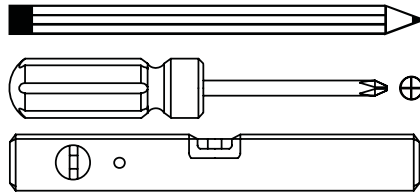
2018.1.23

www.rejuvenation.com

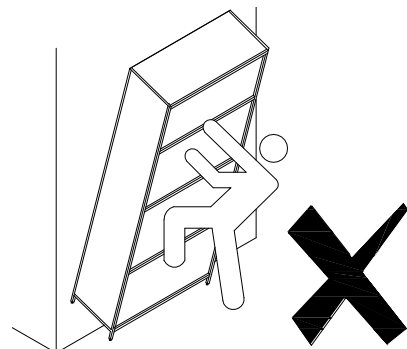
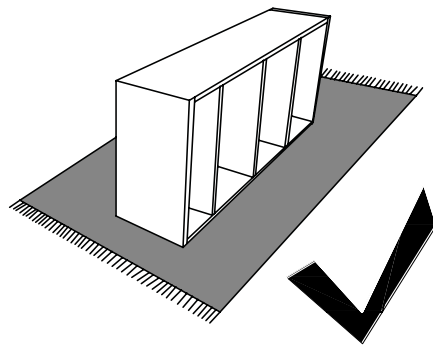
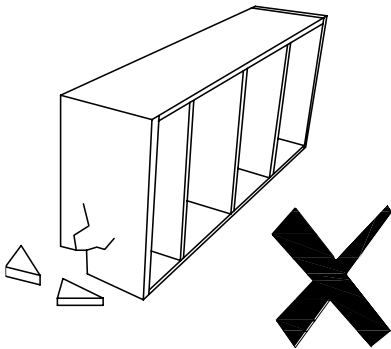
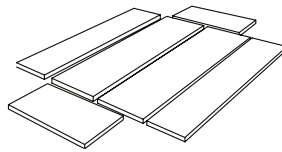
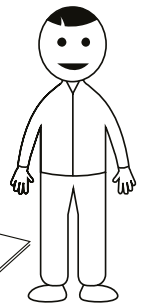
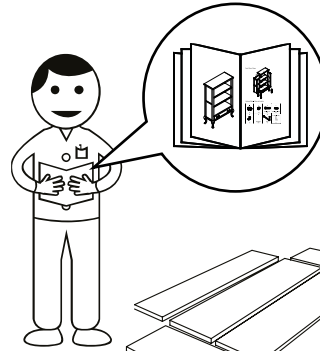
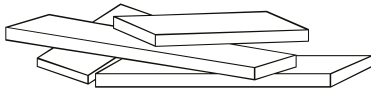
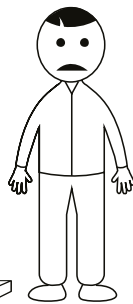
3/10



X2



?



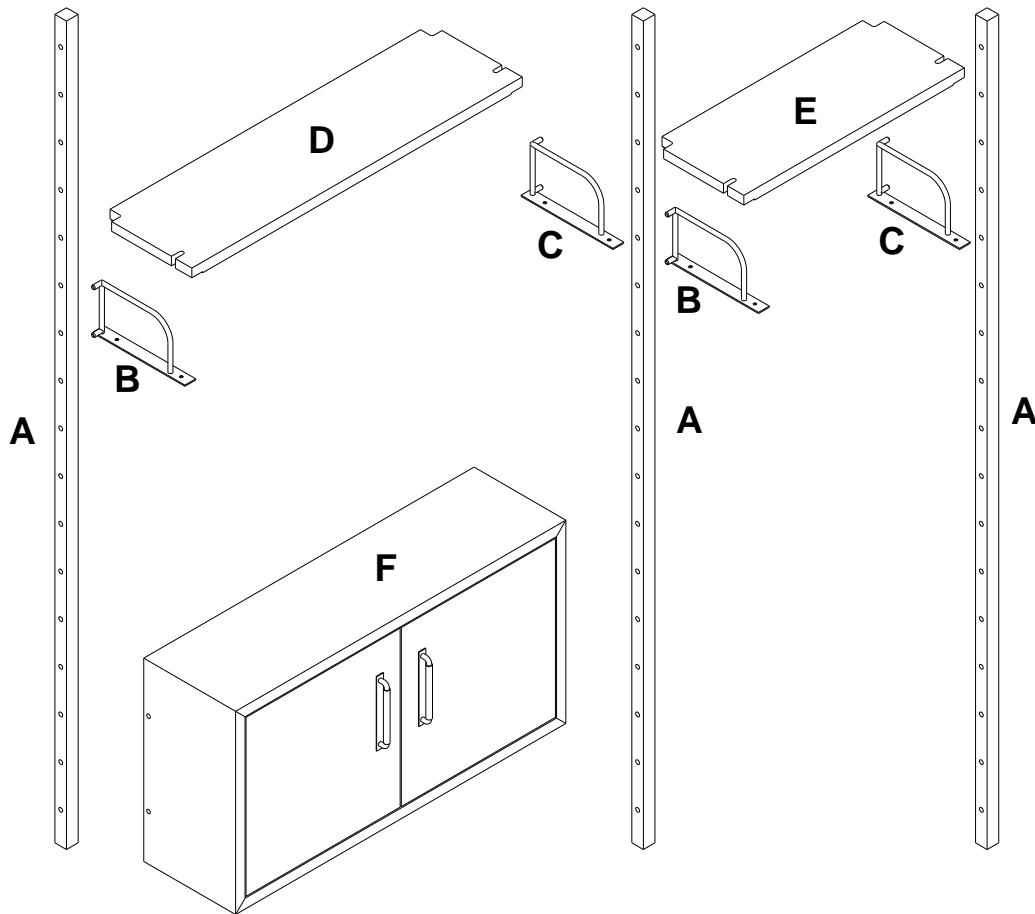
REJUVENATION

Assembly instructions
 Instructions d'assemblage
 Instrucciones de Ensamblaje

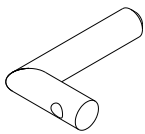
2018.1.23

www.rejuvenation.com

4/10



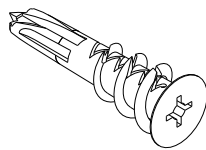
G



Optional cabinet
 mounting pin

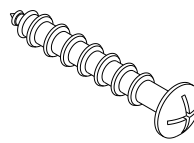
4x

H



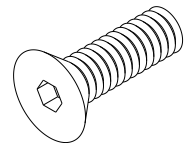
Drywall anchors
 5shelf 5/rail
 3shelf 4/rail
 2shelf 2/rail

I



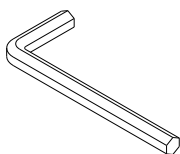
Drywall anchors
 5shelf 5/rail
 3shelf 4/rail
 2shelf 2/rail
 #7x38mm

J



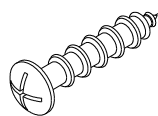
Shelf anchors 4/ shelf
 M5x16mm

K



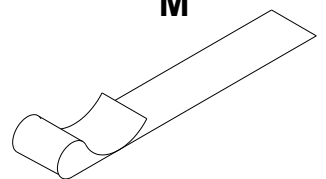
4mm
 1x

L

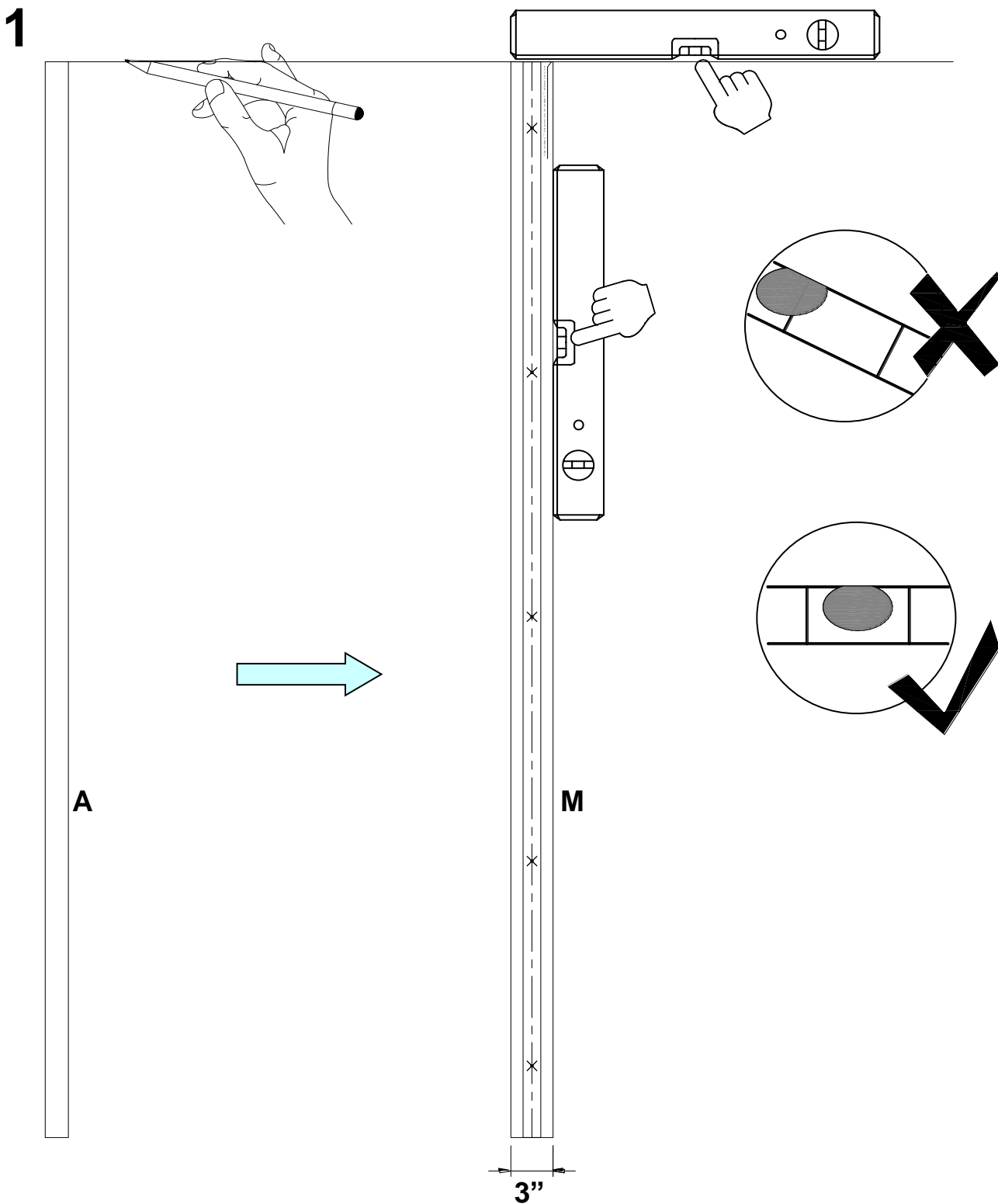


#8x25mm
 4x

M

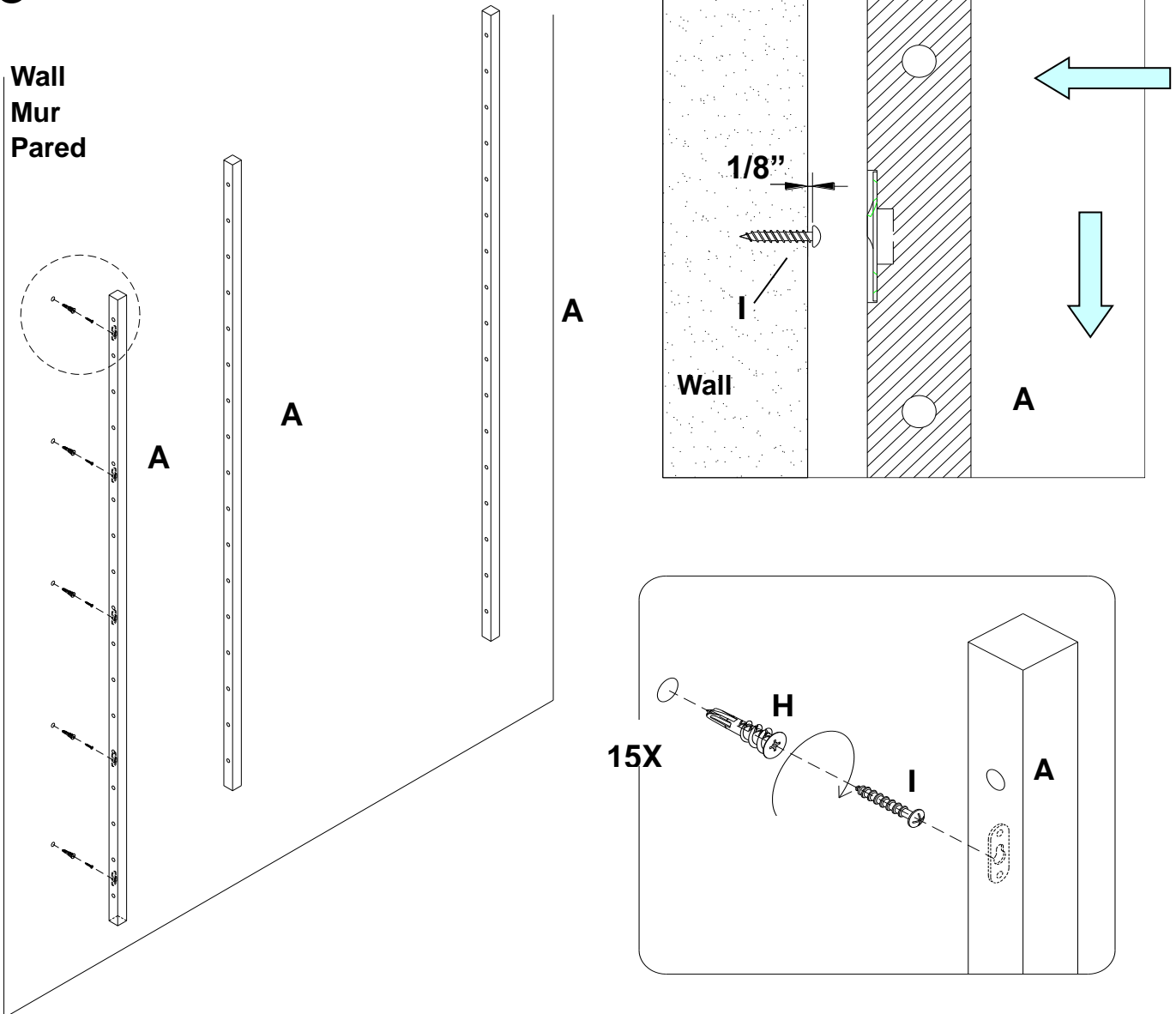


Paper template
 illustrate template
 3X



- 1 . Determine the location of the first rail. Draw a reference line at the location of the rail top
2. With a piece of tape, adhere the top of the supplied template at your reference line.
3. With a level, adjust the template until it is level and plumb on the wall. With another piece of tape, making sure your template is laying flat on the wall securely adhere the template. ***Once the template is secured to the wall, use your level to check for vertical plumb. Adjust the template as necessary***

3



7 . Remove Template. Again, using your level, confirm that anchor locations are plumb and level. Adjust marks as necessary.

8. Use the tip of a Phillips head screw driver, or nail, create small indentations at the location for anchors.

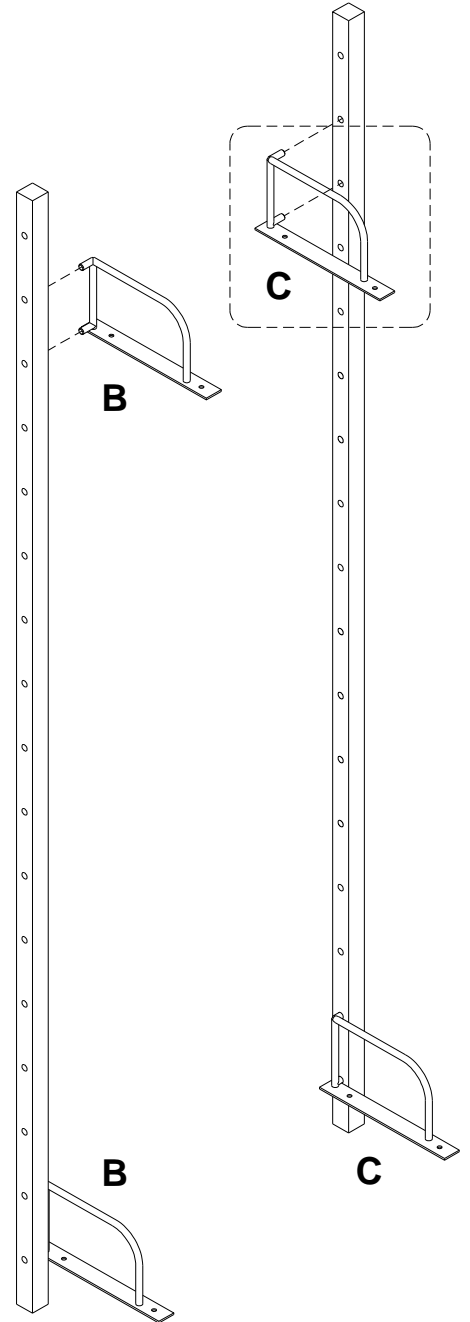
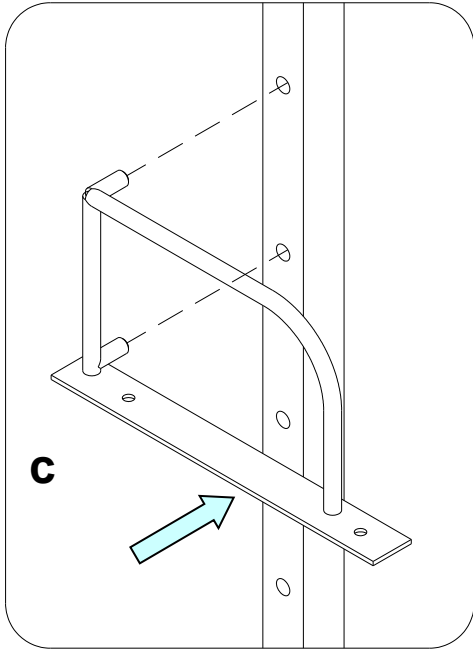
9. Use your phillips screwsdriver to install the wall anchors. The anchors are designed to bore into the wall like a screw. Slowly turn the anchors clockwise until they are flush with the wall.

Once all anchors are installed, install mounting screws until the screw head sits 1/8" from the wall.

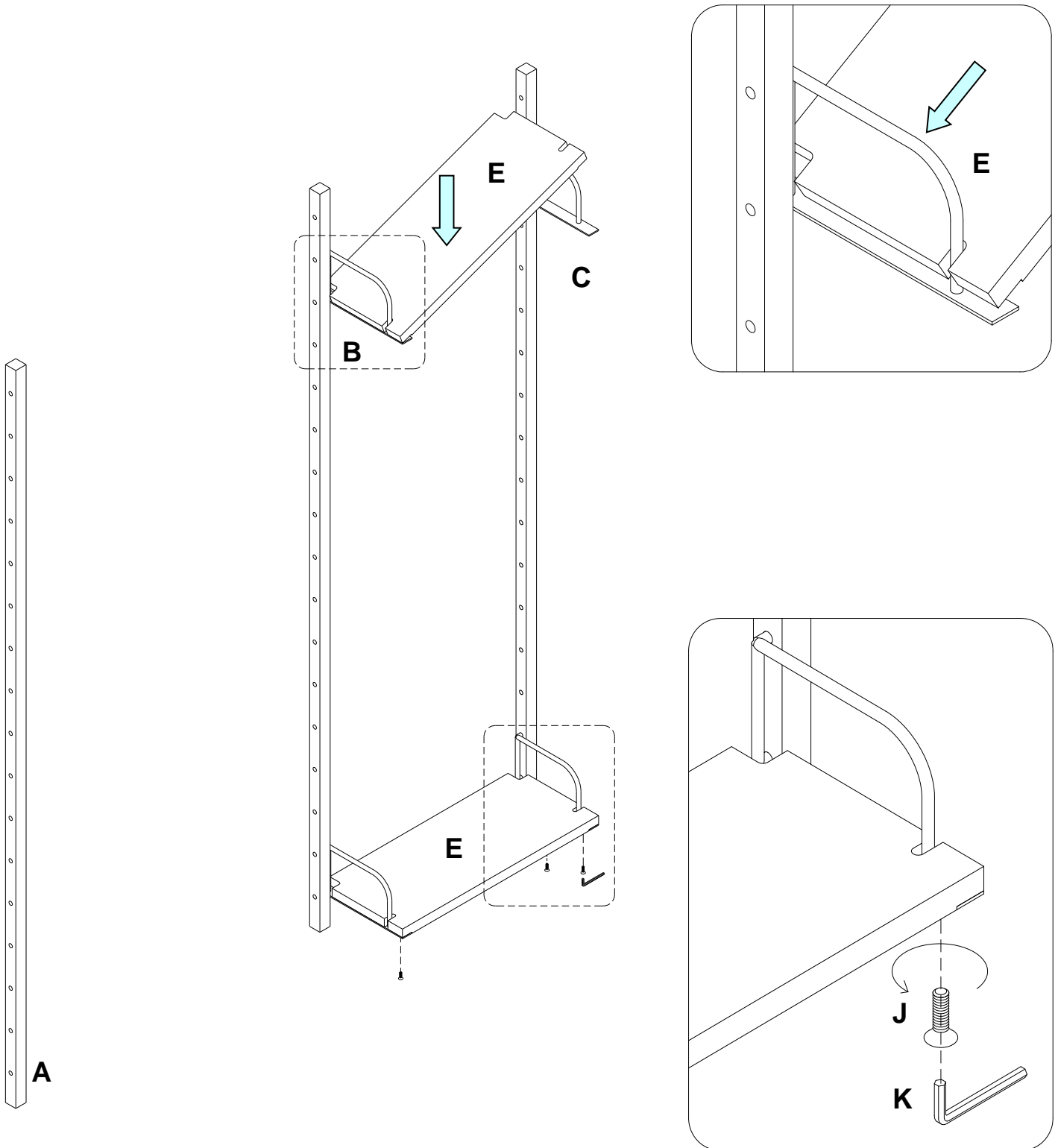
Slide rails over the screws and push down until securely engaged. Note: You may have to adjust screws compensate for walls that are not completely flat. The top of your rail should align with your reference mark from step 1.

12. Install shelves and cabinet (if supplied) using the illustrations below.

4



5



6

Optional cabinet installation

