

Installation sheet integrated vaulting

skill level

• basic electrician

installation instructions

For a safe installation make sure that the electrical box is securely mounted to a structural member of the building.

1. Make wiring connections in accordance with local electrical codes.

See “Important Information” on reverse side.

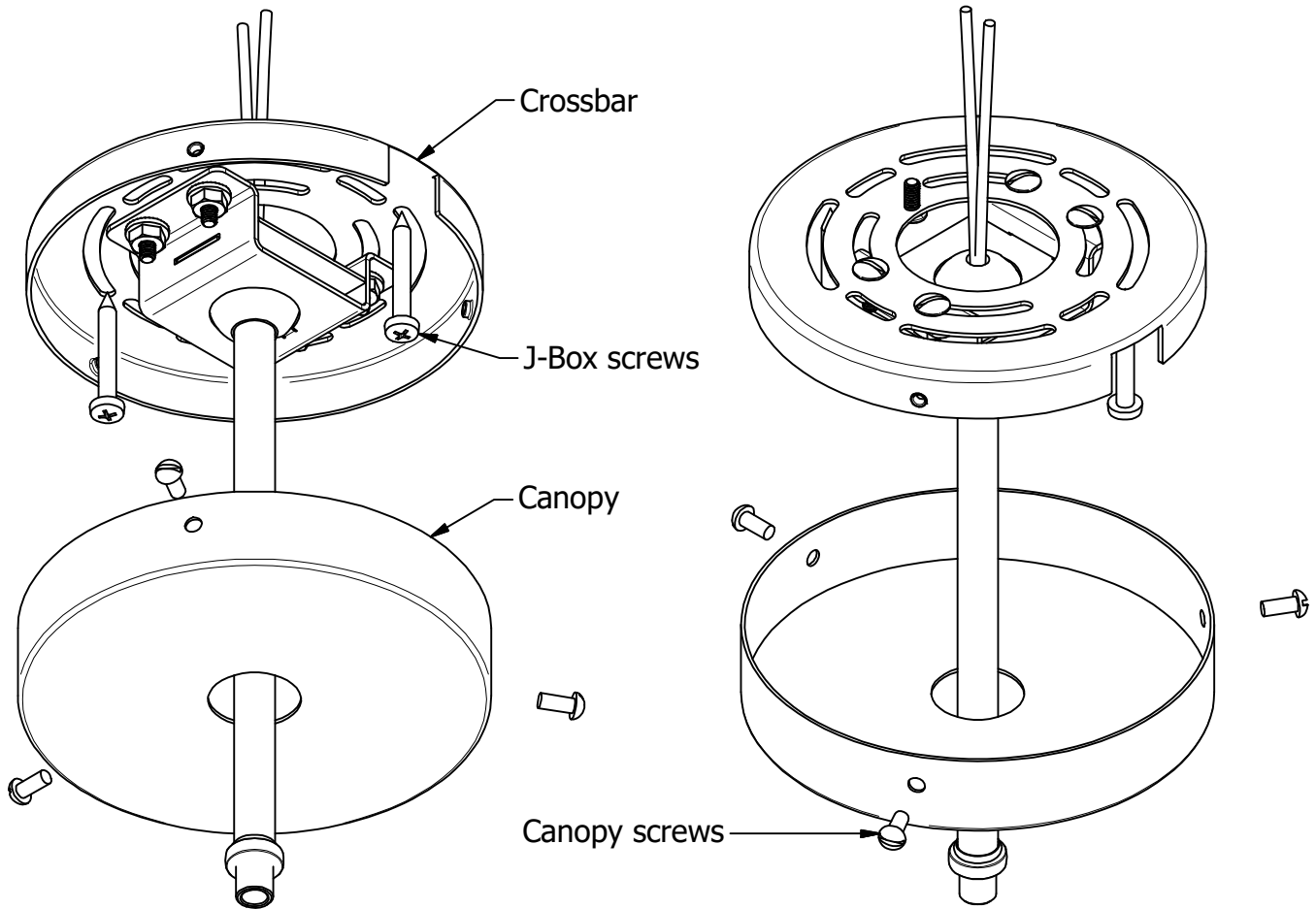
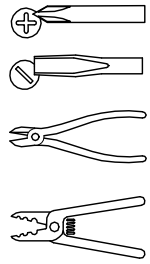
2. Attach **crossbar** to electrical box using screws supplied with the box.

These fixtures are supplied with a unique crossbar. Most have curved slots in **crossbar** to allow fixtures to be squared to the room, regardless of position of screw holes in the electrical box.

3. Using all **canopy screws** supplied, attach the **canopy** to **crossbar** through holes in **canopy** sides.

Complete!

toolbox



REJUVENATION®