

Item : KENYON HOOK WITH ANGLE STAINLESS STEEL  
( HEAVY WIREBRUSH )

Dimension (mm) :  
523X304X82 MM

Description :  
VIEW

Code :

Scale :

Page :

Date :

03/04/ 2023

DRAWN BY :

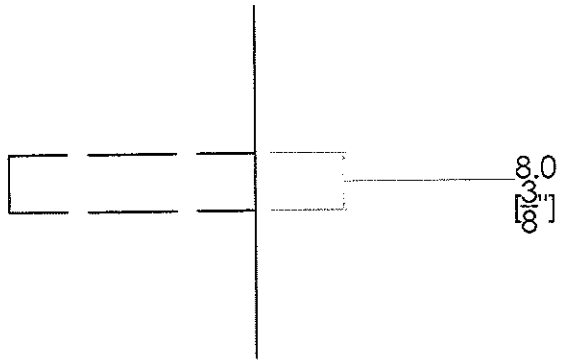
Huda

Approval by :

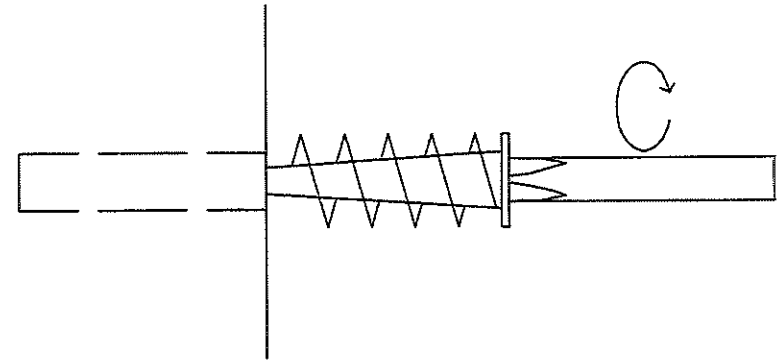
NOTE:

| Revised 1 | Revised 2 | Revised 3 | Revised 4 |
|-----------|-----------|-----------|-----------|
|           |           |           |           |

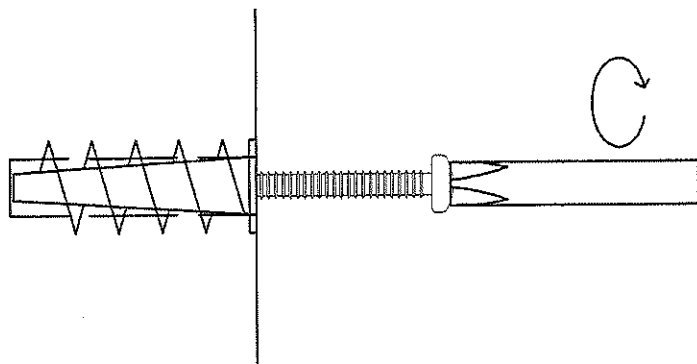
STEP 1  
Drill Wall  $\varnothing 8$  mmx32 mm



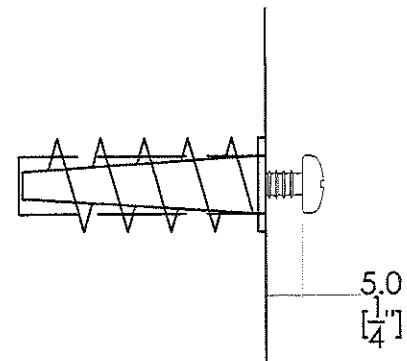
STEP 2  
Screw Anchor into the wall



STEP 3  
Screw the Screw into Anchor the wall



STEP 4  
Gap head screw 5 mm to wall



Item : KENYON HOOK WITH ANGLE STAINLESS STEEL  
( HEAVY WIREBRUSH )

Dimension (mm) :  
523X304X82 MM

Description :  
VIEW

Code :

Scale :

Page :

Date :

03/04/ 2023

DRAWN BY :

Huda

Approval by :

NOTE:

| Revised 1 | Revised 2 | Revised 3 | Revised 4 |
|-----------|-----------|-----------|-----------|
|           |           |           |           |