

**68" LYNDSEY
CAST IRON
SLIPPER TUB**

Cat. No.
CTSN68B



L: 66-1/2"
W: 30-3/4"
H: 23-1/4" - 28-3/4" (from floor to top of tub)

Water depth: 17-3/8" to top of tub
Water depth: 14-1/8" to overflow

The following is recommended for CTSN68B tubs:

- Faucet: **#4602, 4604 or 7082**
- Freestanding Bath Supplies: **#4502**
- Leg Tub Drain: **#5599E**

Note

To prevent the accumulation of standing water under your tub base we recommend using a bead of silicone between the base and the floor.

Gallon Capacity:	35
Shipping Weight:	520 lbs.
Empty Weight:	381 lbs.
Filled Weight:	673 lbs.

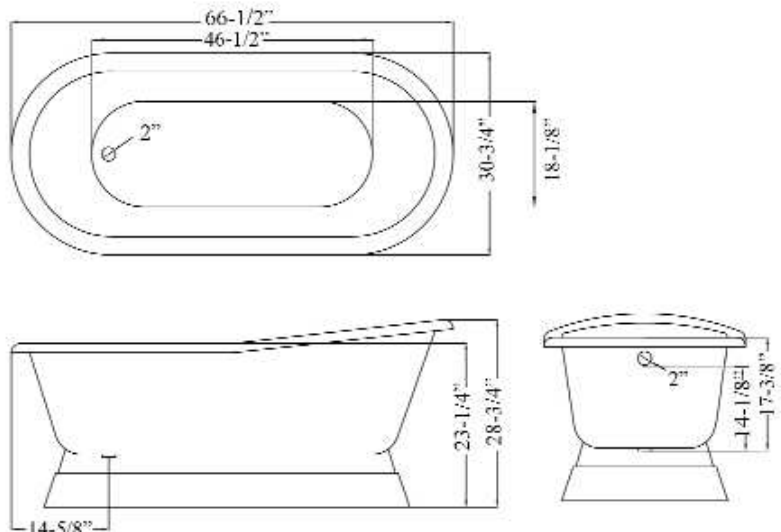
Features:

- ▶ Inside finish is white porcelain enamel
- ▶ No faucet holes
- ▶ Continuous rolled rim
- ▶ Pre-drilled overflow hole
- ▶ ICC-ES certified
- ▶ UPC certified
- ▶ Tub exterior is white (epoxy)
- ▶ Integrated base
- ▶ Tub is thoroughly inspected before shipment



Tub Colors:
WH White

Custom Colors Available (inside of tub is always white enamel):
Painted bathtubs are considered "special order" and are not returnable



Dimensions of fixture are nominal and may vary within the range of tolerances established by ANSI Standard A112.19.2. Dimensions and specifications subject to change without notice.