

MILANO DELUXE CONSOLE

Cat. No
97x



W: 42-³/₄"
D: 23-⁷/₈"
H: 34-¹/₄"

Back of basin to center of faucet: 2-¹/₂"
Back of basin to center of drain: 7-¹/₂"
Mount bolts height: 32"
Mount holes cc: 8"
Side deck: 9"

Interior Dimensions:

Basin Interior: 20" x 15"
Basin Depth: 6-¹/₂"
Faucet and spout holes: 1-¹/₂"

Features:

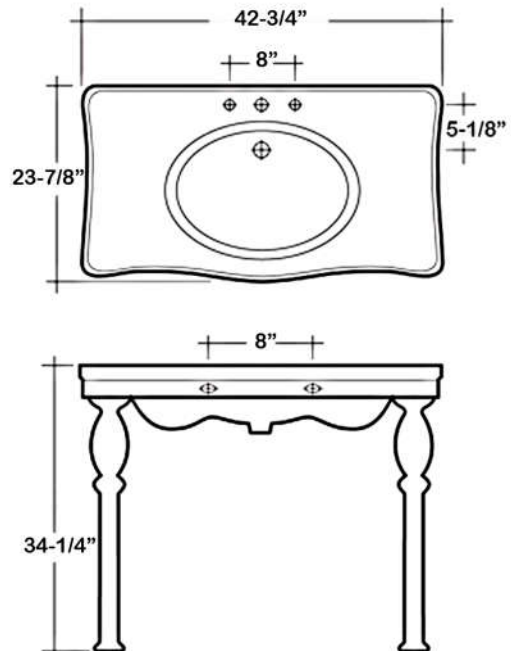
- ▶ Made of Vitreous China
- ▶ Available with 1-hole or 8" widespread
- ▶ Large deck
- ▶ Mounting Hardware Included
- ▶ Overflow



Colors:

WH White

Meets or exceeds the following specifications: ASME A112.19.2 2018 and CSA B45.1-18 for ceramic plumbing fixtures.



Dimensions of fixture are nominal and may vary within the range of tolerances established by ASME Standard A112.19.2.2013. Dimensions and specifications subject to change without notice.

MILANO CONSOLE

Cat. No.
968



W: 33- $\frac{1}{4}$ "
D: 22- $\frac{5}{8}$ "
H: 34- $\frac{3}{8}$ "

Interior Dimensions:

Basin Interior:	17" x 14"
Basin Depth:	8"
Side Deck:	8"
Back of basin to center of faucet:	2- $\frac{1}{2}$ "
Back of basin to center of drain:	7- $\frac{1}{2}$ "
Mount bolts height:	32"
Mount holes cc:	8"
Faucet and spout holes:	1- $\frac{1}{2}$ "

Features:

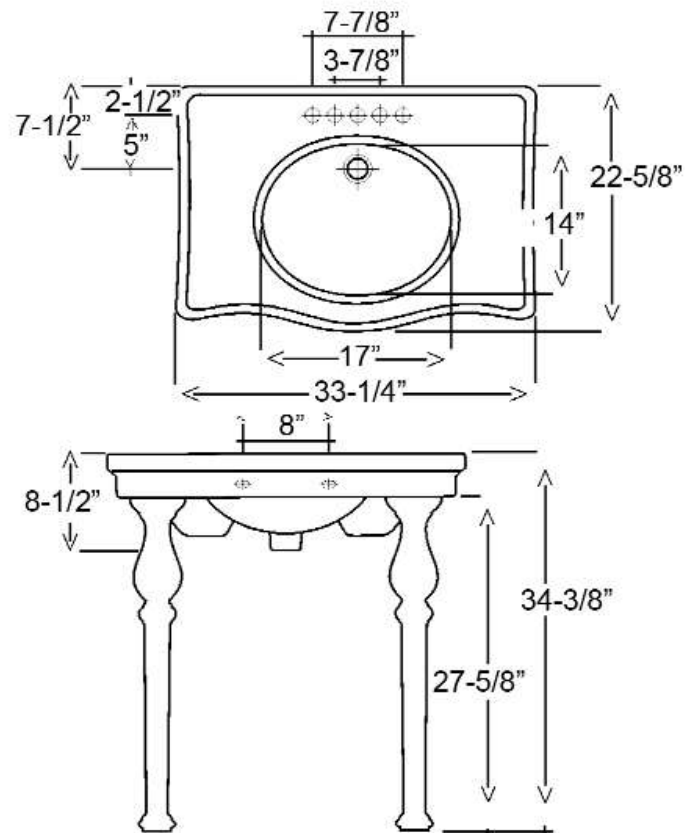
- ▶ Made of Vitreous China
- ▶ Traditional Style
- ▶ Large Deck
- ▶ Mounting Hardware Included
- ▶ IAPMO certified



Colors:

WH White
BQ Bisque

Compliance Certification
Meets or exceeds the following specifications: ASME A112.19.1 2018 AND CSA B45.1-18 for Vitreous China fixtures.



Dimensions of fixture are nominal and may vary within the range of tolerances established by ASME Standard A112.19.2.2018 Dimensions and specifications subject to change without notice.

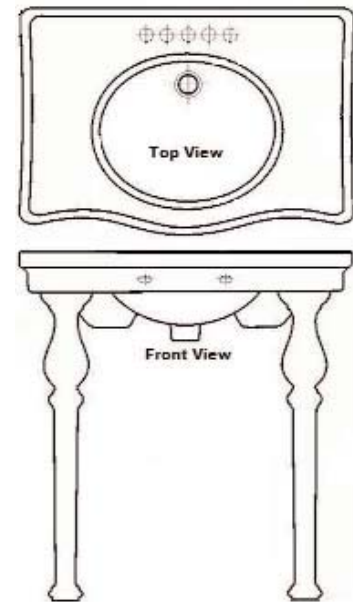
INSTALLATION INSTRUCTIONS

Tools Needed

- Screwdriver • Drill & Bits • 2 Lag Screws, or Large Molly Bolts (**NOT** Included) •
- Tape Measure • Level • One Tube White or Clear Silicone • Wrench • Pencil •

2 people are needed to install the console.
The console top weighs approximately 70 pounds.

Mounting hardware must be adequate for the type of wall. Be sure to re-inforce wall before installation. We recommend a 2"x12" securely fastened to wall studs at the required height for your installation.



1. Place the large console top upside down on a piece of packing cardboard, to prevent scratching.
2. Place a bead of silicone around the top of each leg.
3. Place each leg into the sockets in the front of the console top. Make sure the legs are firmly set into each socket. It is best to let the silicone dry for **24 hours** to let the legs "set".
4. After 24 hours, stand the console assembly up and support it against the wall.
5. One person should hold the console top in place. The other person should use a level on the back and side edges to help position the top, both side to side, and front to back correctly.
6. Use the pencil to mark the mounting hole positions on the wall.
7. Remove the console top and set aside. Drill the holes **through the 2"x12" re-inforced wall**.
8. Install lag screws, molly bolts or other mounting hardware in the wall as appropriate.
9. Place the console top with legs against the wall and install using the hardware selected, then tighten.
10. One person should slightly lift up the front of the console and legs. The second person should apply a small amount of silicone to the bottom of each leg to prevent the legs from moving after installation.
11. Completely tighten the 2 connections of the console to the wall, being careful not to over tighten.

NOTE:

DO NOT tighten too much or you may damage console.