

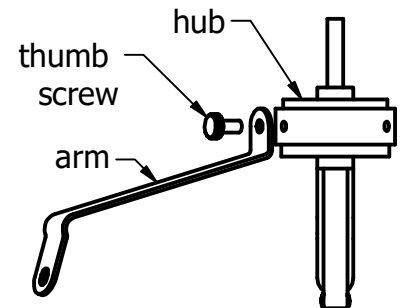
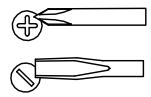
Installation Sheet for Oslo Pendants

skill level ● handy person

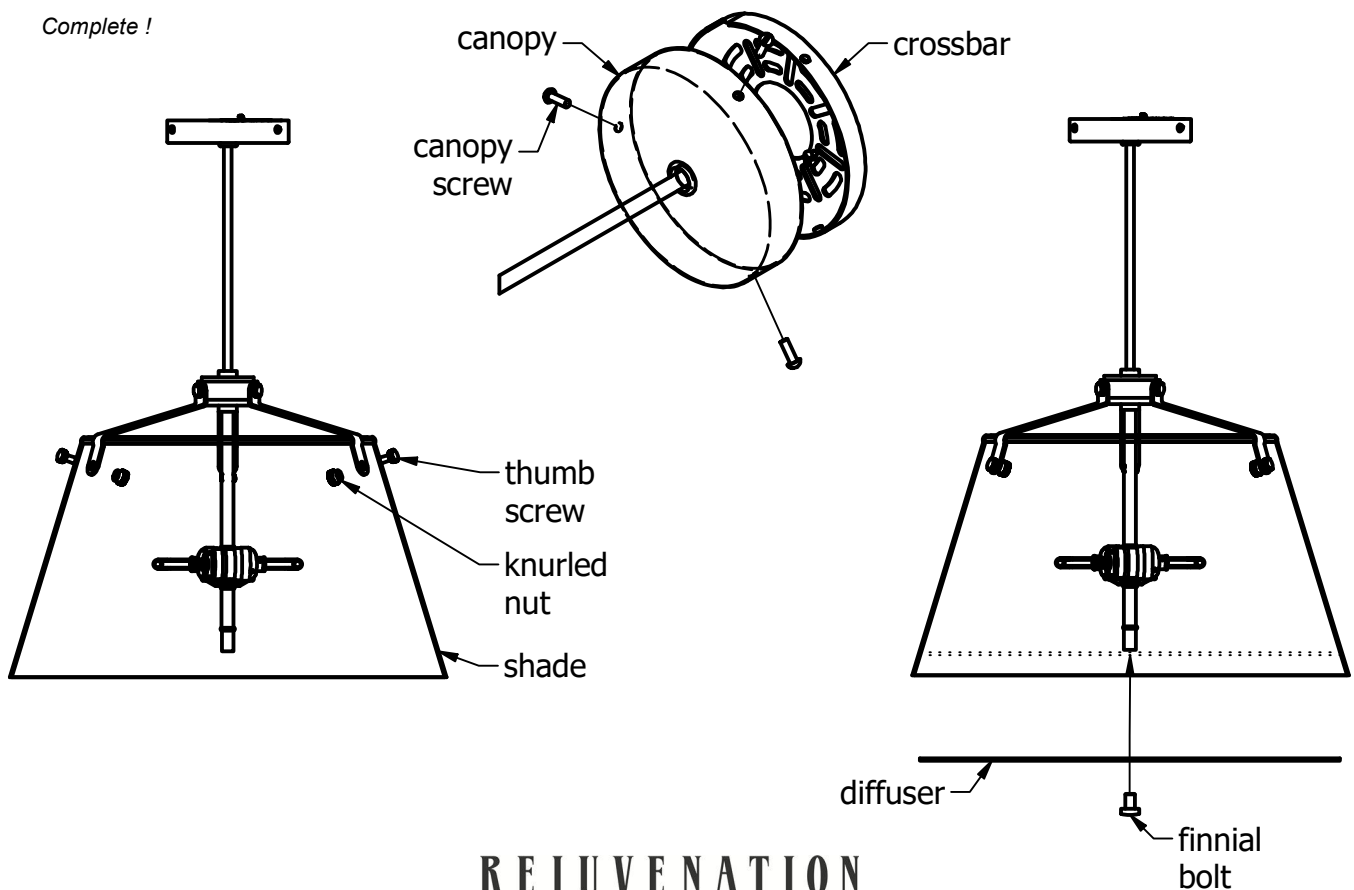
installation instructions

1. Attach the **3 arms** to the hub using **3 thumb screws**
2. Attach **shade** to bottom ends of **arms** using **3 thumb screws** and **3 knurled nuts**
3. Remove **canopy screws** and attach **crossbar** to electrical box using screws supplied with the box.
NOTE: crossbar has curved slots to allow fixture to be oriented in a number of ways, regardless of position of screw holes in electrical box.
4. Make wiring connections in accordance with local electrical codes.
See "Important Information" on reverse side.
5. Using the **3 canopy screws**, attach **canopy** to **crossbar** via the 3 side holes.
6. Install bulbs (not included)
7. Remove **finial bolt** at bottom of fixture and install **diffuser** disc using same bolt - do not over tighten.

● toolbox



Complete !



REJUVENATION

2550 N.W. Nicolai Street, Portland Oregon 97210 Customer Service: 888-401-1900 rejuvenation.com