

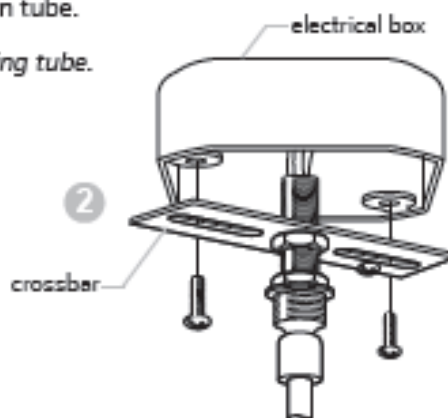
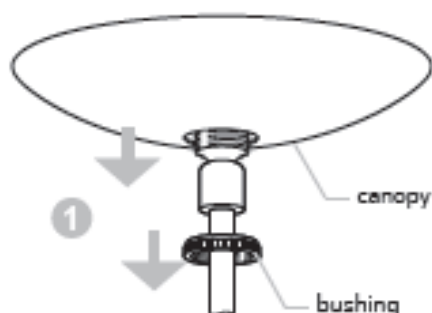
installation instructions

* Remove protective wrap from tubing only after installation is complete.

1. Loosen bushing, then slide canopy and bushing down tube.

* Proceed carefully during all steps to avoid scratching tube.

2. Attach crossbar to electrical box.



toolbox



3. Fixture comes assembled ready to fit most installations, but in some cases adjustment will be required.

Check fit by pulling canopy up tube and holding canopy against ceiling.

About 1/4" of threads on the hang-straight need to be exposed.

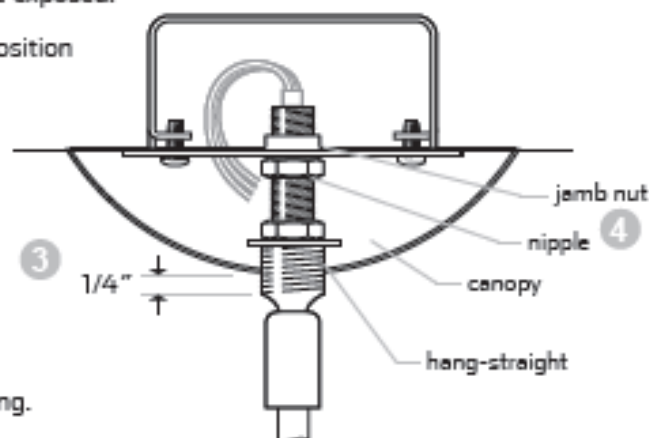
If not, remove fixture from electrical box and adjust position of crossbar on nipple, then reattach to electrical box.

4. Tighten jamb nut upward against crossbar to lock assembly in position.

5. Make wiring connections in accordance with local electrical codes.

See "Important Information" on reverse side.

6. Slide canopy up against ceiling and secure with bushing.



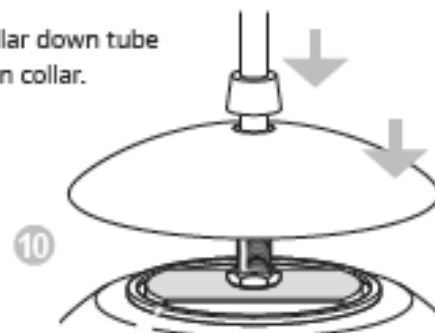
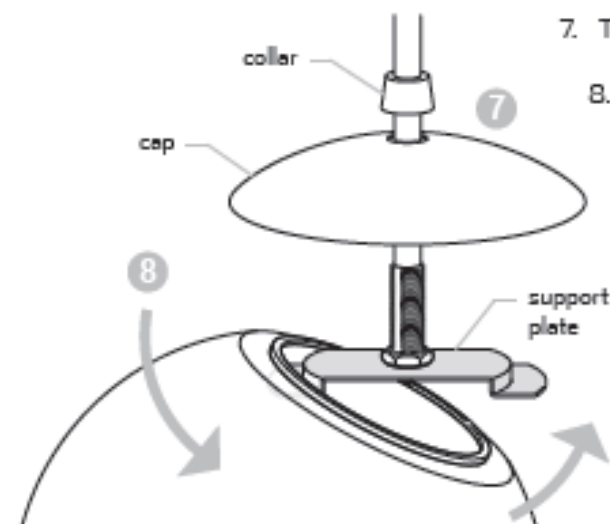
7. To install shade, unscrew collar and slide collar and cap up the tube.

8. Tilt shade and guide it into shade support plate.

9. Center support plate so that it nests inside the shade opening.

10. Slide cap and collar down tube and hand tighten collar.

* Complete



REJUVENATION®