



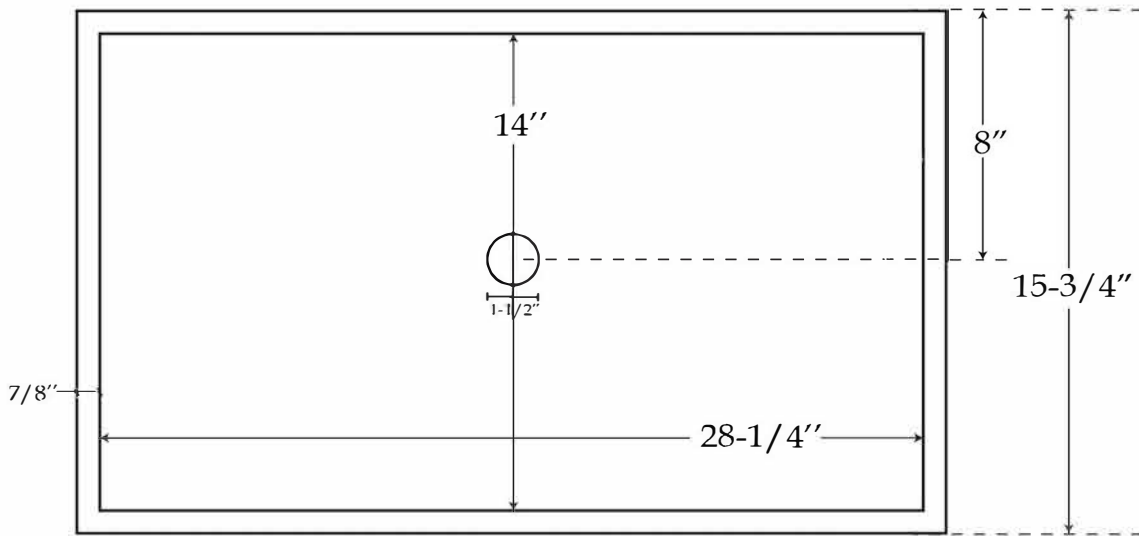
MAIDSTONE

www.MaidstoneSupply.com

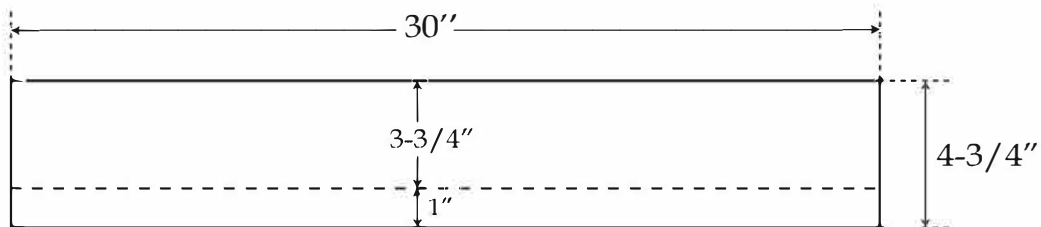
Vessel Sink

Part No: SINK-532-30

TOP VIEW



FRONT VIEW



Contact Maidstone for additional information and specifications. For complete warranty information and a list of dealers visit www.MaidstoneSupply.com. All products and specifications are subject to change without notice. Maidstone is not responsible for typographical and/or dimensional errors. Typographical errors are subject to correction.

Note: Rough-in dimensions may vary +/- 1/2" and are subject to change. No responsibility is assumed by Maidstone.

STONE VESSEL SINK INSTALLATION

BEFORE YOU BEGIN

We recommend using a professional if you are not familiar with installing bathroom fixtures and plumbing. Maidstone accepts no liability for any damage to the floor, walls, plumbing, vanity cabinet, sink, counter top, or personal injury during installation.

Observe all State and local plumbing and building codes.

Unpack and inspect the sink for damage. If any damage is found, contact our Customer service team at 1-888-513-0060

TOOLS AND MATERIALS:



Silicone Sealant
(100% Neutral
Cure)



Damp Cloth

GETTING STARTED

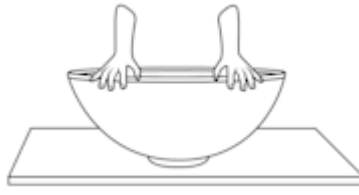
- Ensure that you have all the required materials that are needed for the installation process.
- For the following instructions, it is assumed that the vanity and countertop are already in place.

Installation

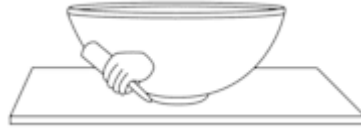
1. Carefully place your vessel sink upside down . Apply a generous amount of silicone sealant to the base of the sink where it will rest on the counter.



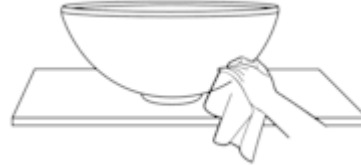
2. Turn the sink right-side-up and position over the drain hole. Set the sink in place and press firmly to secure.



3. If desired, apply a bead of silicone sealant around the perimeter of the sink base for additional stability.



4. Remove excess sealant with a damp cloth to complete installation.



5. Proceed to the installation of the sink drain. Refer to the drain's installation instructions for guidance.

6. Allow the sealant to completely dry for 24 hours.



Cleaning and Maintenance

We recommend that you regularly clean your natural sink with a mild dish detergent cleaner. After each use, wipe the basin dry with a soft cloth. Do not allow mineral deposits such as iron, salt, lime, or soap to build up on your sink. Refrain from using acidic household cleaners, wipes with harsh chemicals, or abrasives, as these will damage porcelain.

Sealing your Sink

Because stone is porous, it's important to protect against harmful substances, dirt, and spills. Seal the stone using a heavy-duty stone sealer, such as this StoneTech Heavy Duty Sealer, which will penetrate into the stone and act as a repellent to water or any other substance that could stain or discolor the surface. The following steps demonstrate the general process of sealing your stone. Be sure to follow the directions provided with your stone sealer very carefully, and to retain your stone's natural beauty, reseal once or twice per year.

Chips, Cracks & Scratch Repair

A practical trait of natural stone, whether it's marble, granite, travertine, or another, is its incredible durability. While any stone option will hold up to normal everyday usage, it is possible to damage in some instances. Chips, scratches, and cracks can be repaired using a special epoxy, or stone filler, designed for the species and color of your specific stone. A distinctive characteristic of natural stone is voids, or gaps, in the surface of the stone. While this is a normal trait which makes each product unique, these voids can also be filled using the same type of epoxy if they are unwanted.