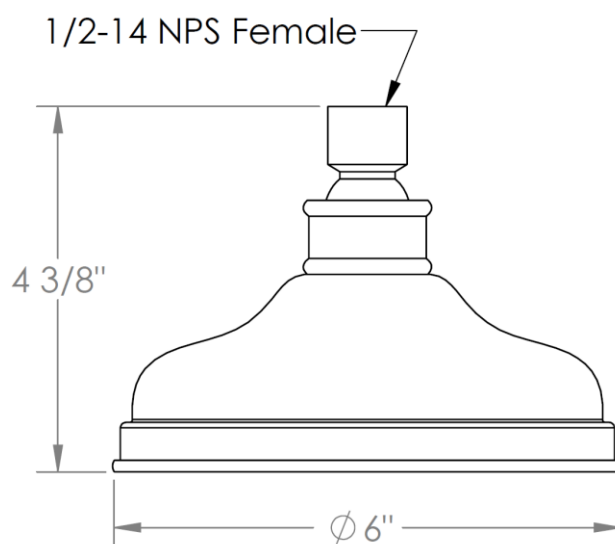


REJUVENATION

Pan Rain Head with Swivel
Supply Connection: 1/2" NPS Female
Flow Rate: 1.75 GPM



Meets the applicable requirements of ASME A112.18.1-2005/CSA B125.1-05, entitled "Plumbing Supply Fittings"

For technical support, please call 888-401-1900