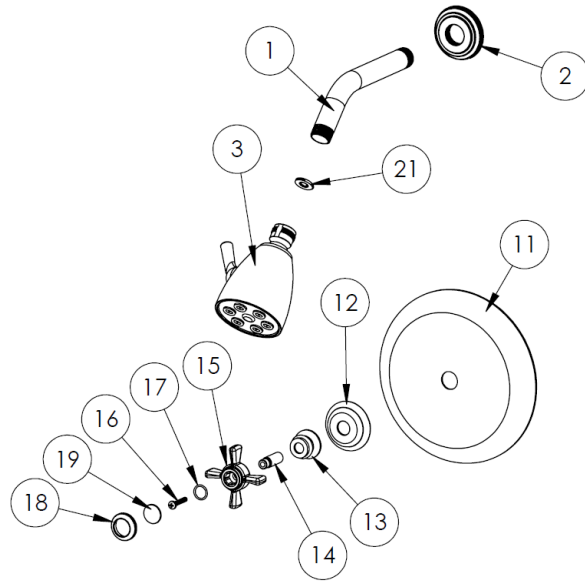


### FEATURES

- Diaphragm cartridge maintains water temperature within  $\pm 2^\circ$
- Compensates for water pressure fluctuations preventing scalding
- Flow rate: 5-7 gpm at 80 psi
- Solid brass construction
- Warranty:
  - Limited lifetime warranty (residential use)
  - One year (commercial use)
- Standard finishes:
  - polished chrome
  - satin nickel
  - polished nickel
  - rustic brass
- Listed by IAPMO, CSA, NSF, & other municipalities
- Shipping weight (lbs.): 15.7
- Shipping dimensions(in.): 12 x 22.5 x13

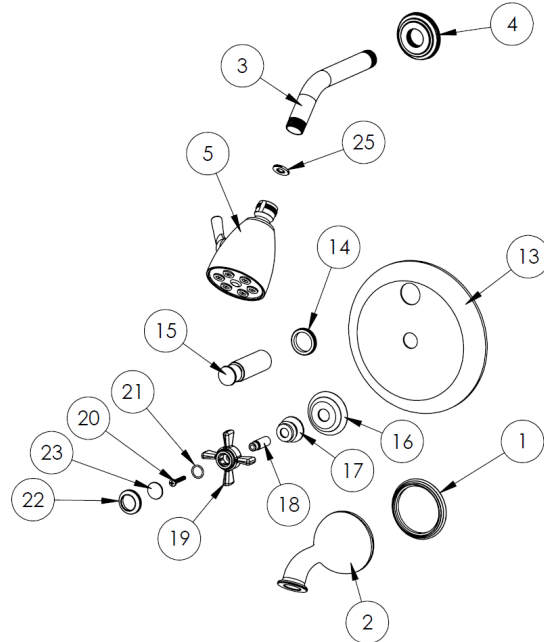
### Shower Kit:

ITEM NO.	PART NUMBER	QTY.
1	SS-403TRAF-ARM SHOWER ARM	1
2	SS-403TRAF-FLNG	1
3	SH-503 SHOWER HEAD	1
11	FACEPLATE	1
12	S1-ESC	1
13	RL4-ESC-NUT	1
14	S1-STEM	1
15	S1-HNDL-(COLD/HOT)	1
16	CR-PHMS 0.164-32x1x1-S	1
17	AS568 - 014	1
18	X-CAP-RING	1
19	X-PRCLN-INSRT-PLN	1
21	NEOPERL WASHER FLOW REGULATOR	1



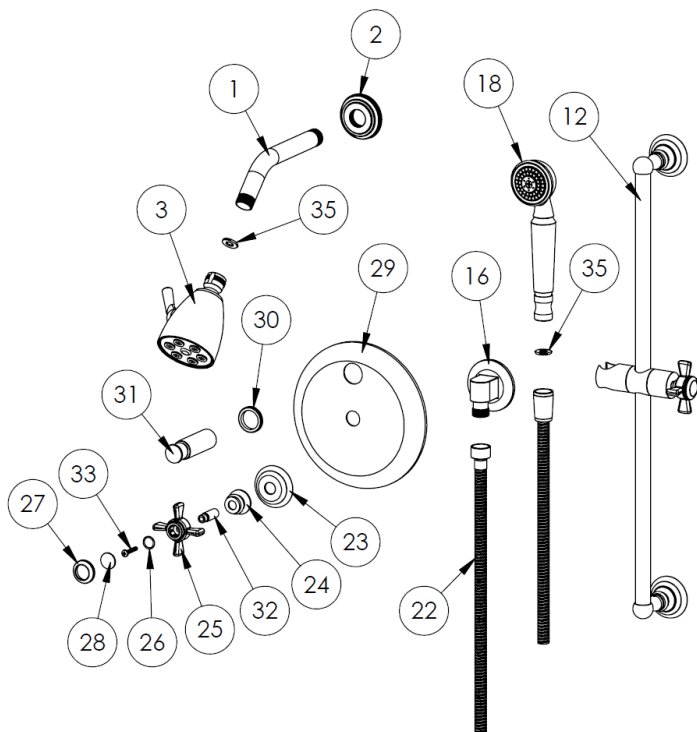
### Shower/Tub Kit:

ITEM NO.	PART NUMBER	QTY.
1	A-ESC-RING	1
2	TBSPT-310	1
3	SS-403TRAF-ARM SHOWER ARM	1
4	SS-403TRAF-FLNG	1
5	SH-503 SHOWER HEAD	1
13	FACEPLATE	1
14	DIVERTER GROMMET	1
15	DIVERTER KNOB	1
16	S1-ESC	1
17	RL4-ESC-NUT	1
18	S1-STEM	1
19	S1-HNDL-(COLD/HOT)	1
20	CR-PHMS 0.164-32x1x1-S	1
21	AS568 - 014	1
22	X-CAP-RING	1
23	X-PRCLN-INSRT-PLN	1
25	NEOPERL WASHER FLOW REGULATOR	1



### Shower/Hand Shower Kit:

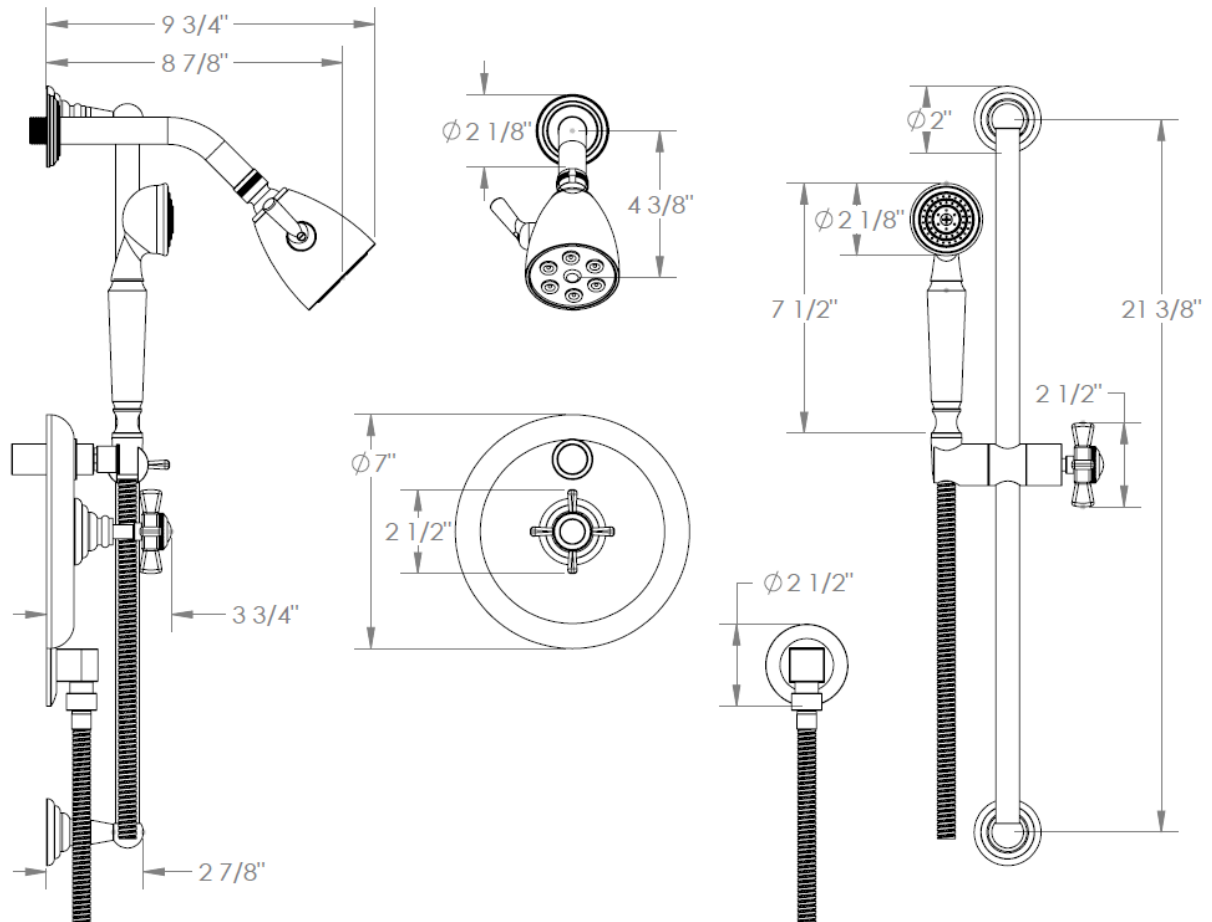
ITEM NO.	PART NUMBER	QTY.
1	SS-403TRAF-ARM SHOWER ARM	1
2	SS-403TRAF-FLNG	1
3	SH-503 SHOWER HEAD	1
12	POSITIONING BAR	1
16	ELB-6001	1
18	SH-S525-A HAND SHOWER	1
22	HAND SHOWER HOSE	1
23	S1-ESC	1
24	RL4-ESC-NUT	1
25	S1-HNDL-(COLD/HOT)	1
26	AS568 - 014	1
27	X-CAP-RING	1
28	X-PRCLN-INSRT-PLN	1
29	FACEPLATE	1
30	DIVERTER GROMMET	1
31	DIVERTER KNOB	1
32	S1-STEM	1
33	CR-PHMS 0.164-32x1x1-S	1
35	NEOPERL WASHER FLOW REGULATOR	2



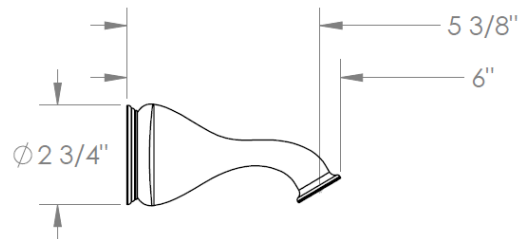
### **Installation Instructions:**

- 1. Ensure valve is properly installed according to Installation Sheet provided with valve.**  
Note: Specification from finished wall to tip of broached stem is 2 7/8".
- 2. Fit faceplate onto valve.**  
Note: for tub/shower valves with diverter, screw diverter knob onto diverter stem.
- 3. Insert handle trim onto stem broach so that escutcheon rests against faceplate and slight clearance is left for handle to rotate freely.**  
Note: When fitting handle it may be necessary to shorten broach stem and/or threaded nipple to eliminate gap between handle and escutcheon.
- 4. Install the hand shower assembly (if applicable).** Thread wall elbow onto 1/2" male NPT nipple. Secure mounting kits onto wall. Connect conical shape connection of hose onto hand shower and round connection onto elbow.

**Shower & Hand Shower Dimensions:**



**Tub Spout Dimensions:**



**IMPORTANT INSTALLATION INFORMATION**

- USE TEFLON TAPE OR PIPE SEALANT FOR THREADED CONNECTIONS
- DO NOT USE PLUMBER'S PUTTY ON ANY OF THE BRASS COMPONENTS  
This will cause the finish to tarnish and void the warranty. A non-corrosive Alkoxy Silicone is recommended.
- DURING SWEATING OF LINES DO NOT OVERHEAT CASTING  
Overheating may cause damage to internal mechanism
- COPPER ADAPTORS MAY BE REQUIRED TO COMPLETE YOUR INSTALLATION

**For technical support, please call 888-401-1900**

