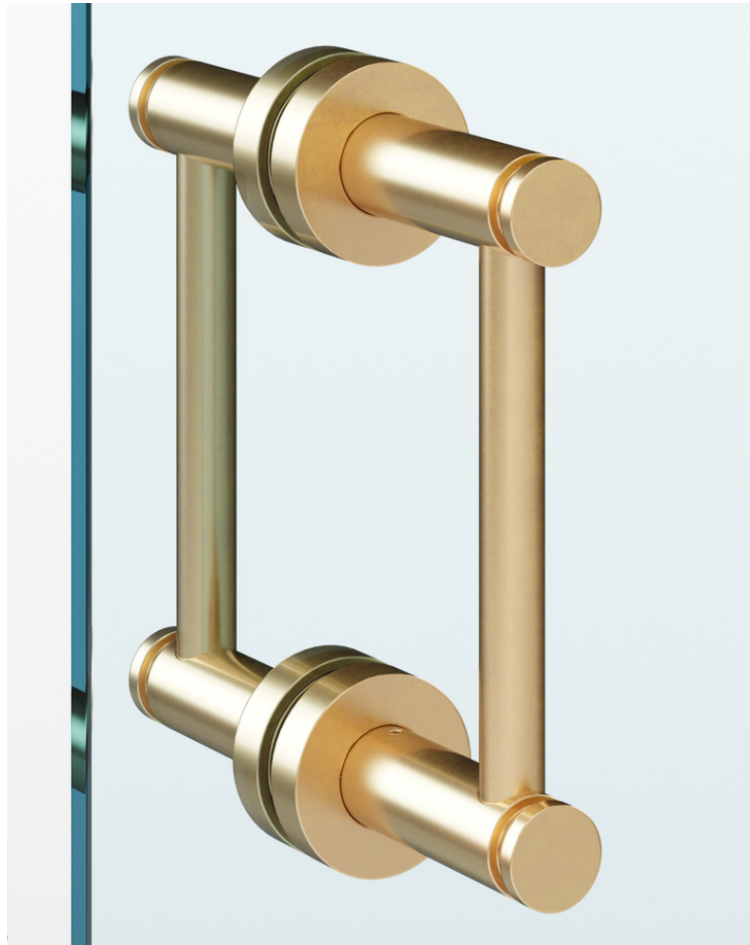


REJUVENATION

www.Rejuvenation.com

INSTALLATION INSTRUCTION

For H-Line, Sutton, Blue,
Waterhouse and Connor 6in.
back to back shower door pulls



Shower Door Pulls
Model No. 0.1-6DDP

WATERMARK

MADE IN BROOKLYN, NEW YORK

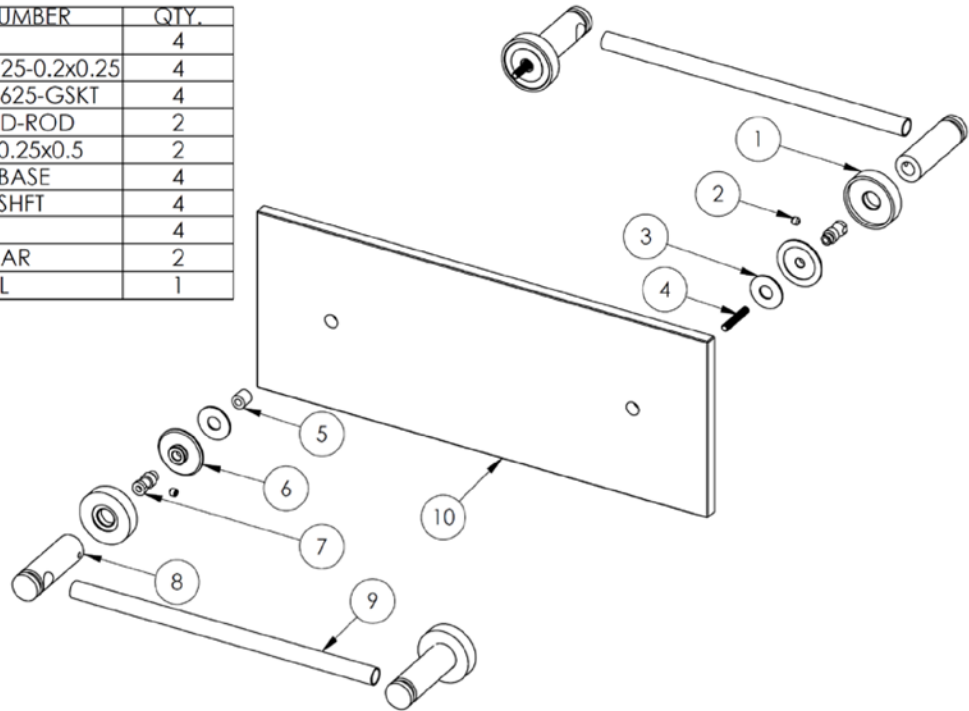


ASME A1 12.18.1
NSF61
CAS B125.1

WATERMARK

Parts Breakdown: Double Door Pull

ITEM NO.	PART NUMBER	QTY.
1	24-0.1-ESC	4
2	SSCUPSKT-0.25-0.2x0.25	4
3	1.25x0.5x0.0625-GSKT	4
4	0.25-0.2-THRD-ROD	2
5	BSHNG-0.5x0.25x0.5	2
6	24-0.1-DDP-BASE	4
7	24-0.1-DDP-SHFT	4
8	24-0.1-POST	4
9	310-0.1-12-BAR	2
10	GLASS/WALL	1



IMPORTANT INSTALLATION INFORMATION

- DO NOT USE PLUMBER'S PUTTY ON ANY OF THE BRASS COMPONENTS
This will cause the finish to tarnish and void the warranty. A non-corrosive Alkoxy Silicone is recommended.

For technical support, please call 718-257-2800