

# REJUVENATION®

## West Slope Toilet Paper Holder

**CALIFORNIA PROPOSITION 65 WARNING:** This product contains brass hardware components which contain lead, a heavy metal known by the State of California to cause cancer, birth defects, or other reproductive harm.

### PARTS INCLUDED:

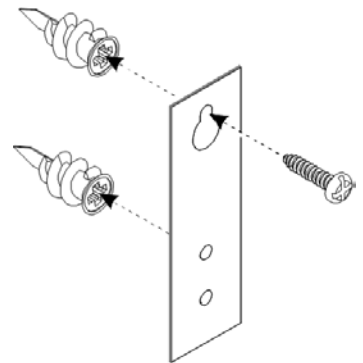
Toilet Paper Holder	1 pc		
Phillips Screws	1 pc	Drywall Anchors	2 pcs
Slotted head Screws	1 pc	Paper Template	1 pc

### MOUNTING INSTRUCTIONS FOR TYPICAL DRYWALL APPLICATIONS

**Note:** Consult your local hardware store for proper mounting to other wall materials.

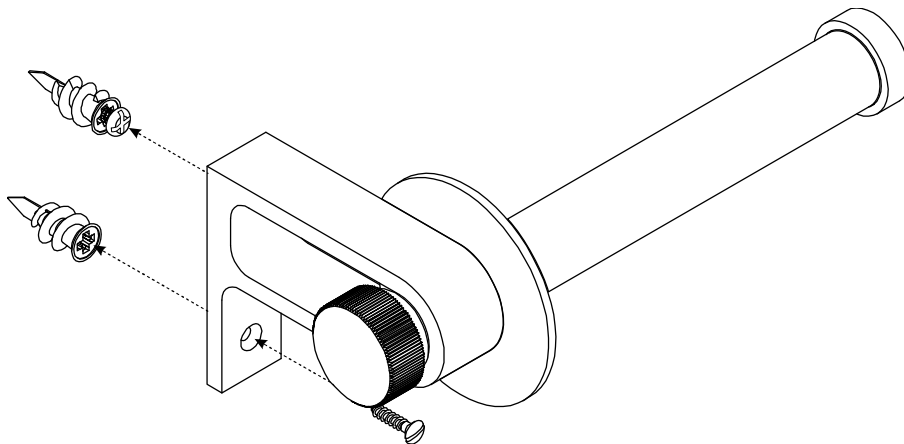
Tools required: Phillips and slotted screwdriver, Pencil, Tape measure.

1. Position Toilet Paper Holder in desired location on wall.
2. Using a pencil, mark the wall along the top of the bracket of toilet paper holder. Then set the toilet paper holder aside.
3. Position the paper template vertically on the wall aligning with the mark of step 2. Mark the locations of the drywall anchors as shown (note: use the template hole marked Towel Bar and TP holder for the lower anchor). Remove the template.
4. Using a Phillips head screwdriver, pierce the tip of the anchor into the wall. *Do not pound the anchors into the wall, they are designed to bore into the wall like a screw.* Turn clockwise until the anchor is flush with the wall.
5. Once both anchors are in place, insert the Phillips screw into the upper anchor. Turn the Phillips screw clockwise, using the template as a depth guide, until the screw head is about 1/6 inch\* from the wall.  
*\*slightly loosen or tighten the screw to let the bracket fits snugly against the wall\**
6. Remove the template and hang the toilet paper holder on the protruded screw. Inset the slotted head screw through the bottom screw hole of bracket and into the lower anchor. Turn the screw clockwise just until you feel resistance.



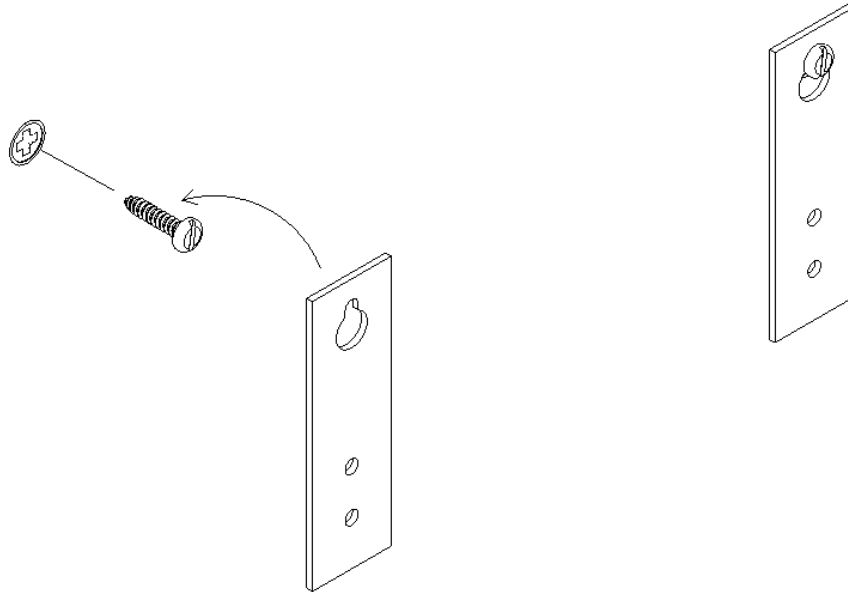
### CLEANING INSTRUCTIONS

To maintain and protect the luster of all products, clean with a soft, damp cloth only.

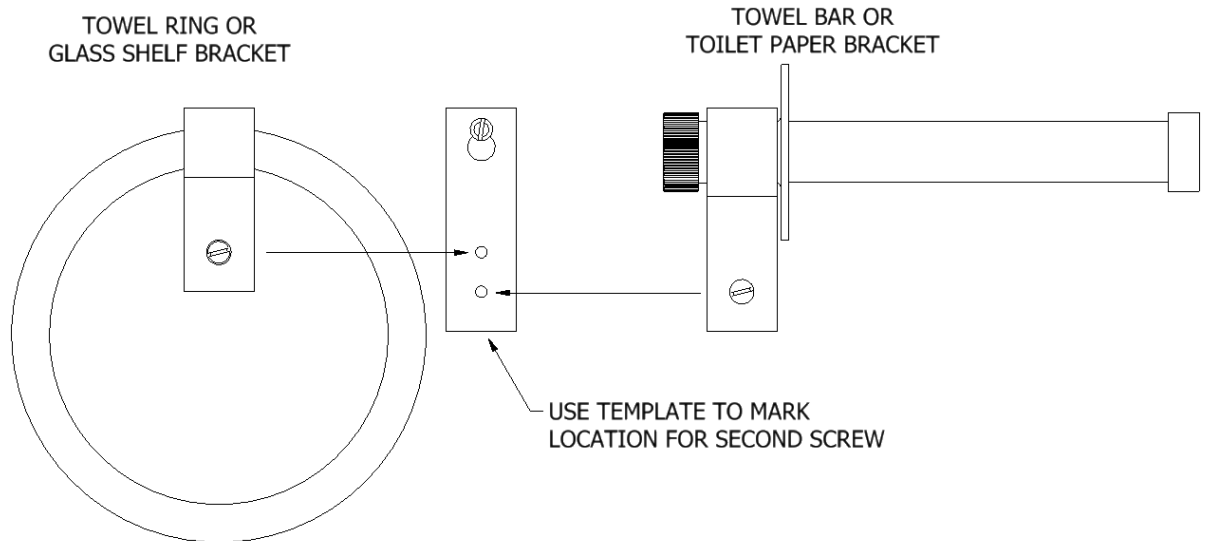


How to use shim/template piece:

1. Install the wall bracket upper screw into wall first. Hang template on screw and tighten screw until snug.



2. Mark location for second screw. Note that the correct screw location depends on type of accessory being mounted. TOWEL RING and GLASS SHELF use the upper hole; TOWEL BAR and TOILET PAPER HOLDER use the lower hole.



3. Remove template from screw and mount bracket to wall. For TOWEL BAR or GLASS SHELF items, use the template with a level to mark screw positions for the second bracket.

