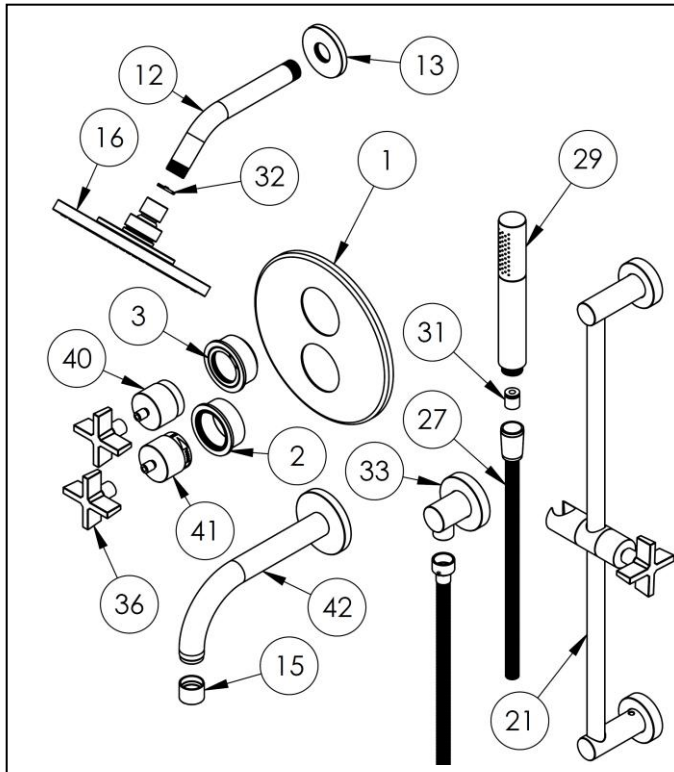


FEATURES

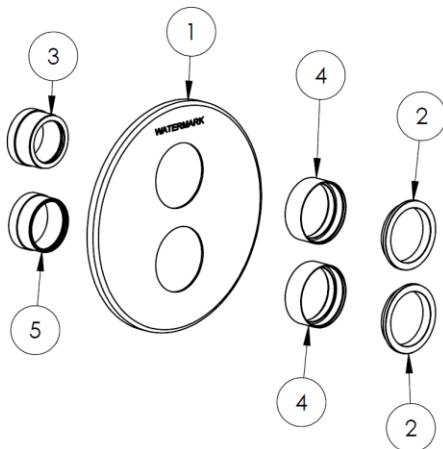
- Diaphragm cartridge maintains water temperature within $\pm 2^\circ$
- Safety button at 100°F prevents accidental scalding
- Temperature range is 50°F to 180°F
- Solid brass construction
- Warranty:
 - Limited lifetime warranty (residential use)
 - One year (commercial use)
- Standard finishes:
 - polished chrome
 - satin nickel
 - polished nickel
 - rustic brass
- Listed by IAPMO, CSA, NSF, & other municipalities
- Shipping weight (lbs.): 15.7
- Shipping dimensions(in.): 12 x 22.5 x13



ITEM NO.	PART NUMBER	QTY.
1	SS-TFP200	1
2	THRM-DOME-TEMP	1
3	THRM-DOME-VOL	1
12	SS-403AF-ARM SHOWER ARM	1
13	SS-403AF-FLNG SHOWER FLANGE	1
15	TBSPT-24-AERTR-SHLL	1
16	SH-TIT50 SHOWER HEAD	1
21	POSITIONING BAR	1
27	DS-4079 HAND SHOWER HOSE	1
29	SH-TIT30 HAND SHOWER	1
31	NEOPERL FLOW REGULATOR	1
32	NEOPERL FLOW REGULATOR	1
33	HAND SHOWER ELBOW	1
36	SX-HNDL	3
40	VOL-CNTRL-POST	1
41	TEMP-CNTRL-POST	1
42	TBSPT-22-SPT	1

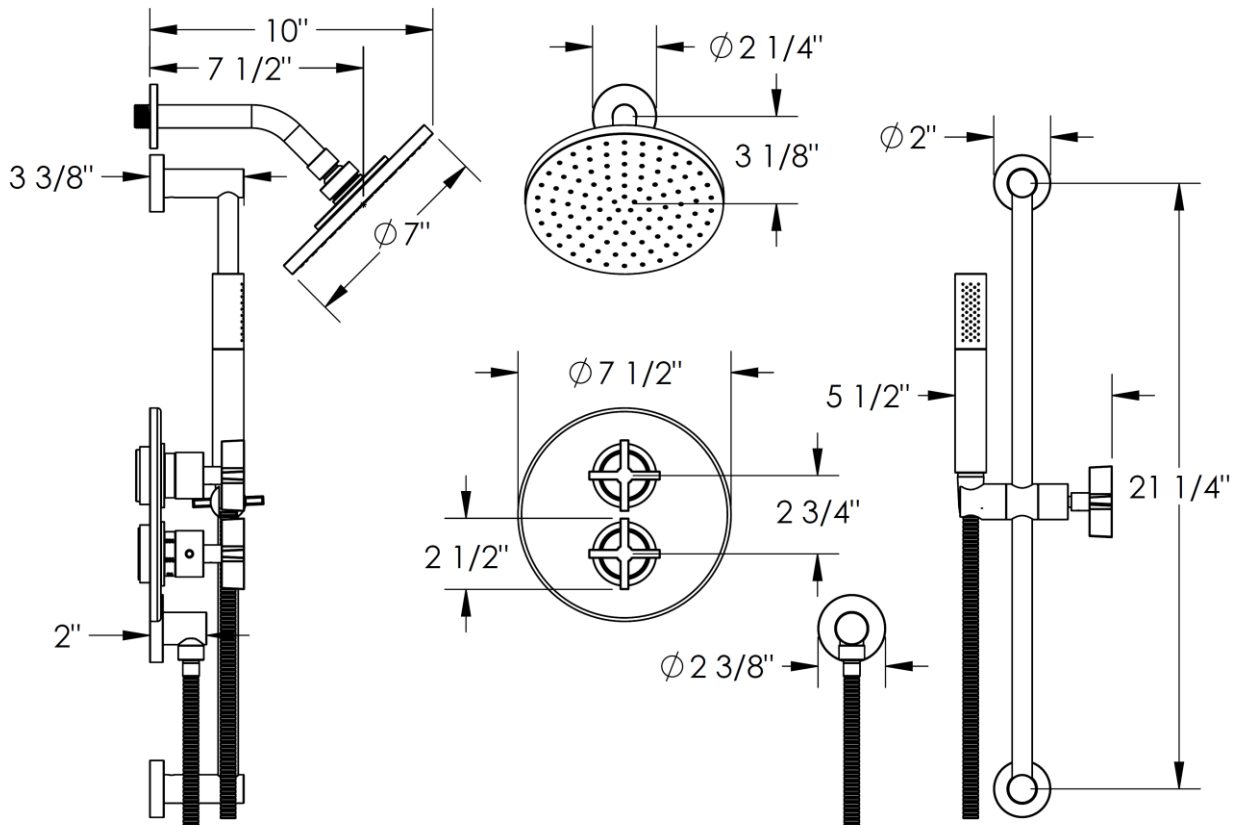
NOTE: Optional components may be shown.

Trim Installation:

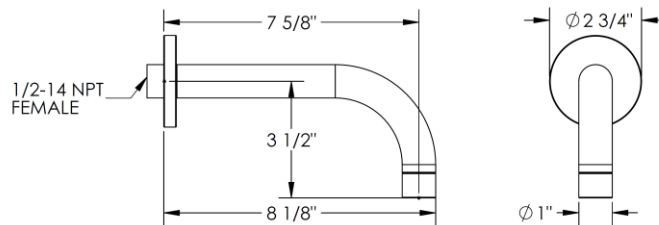


- Screw **Temperature Control Dome (5)** and **Volume Control Dome (3)** onto valve.
 - Please note that the **Temperature Control Dome (5)** has a larger opening than the **Volume Control Dome (3)**.
- Secure the **Thermostatic Face Plate (1)** onto the valve by sliding over the **Temperature Control Dome (5)** and **Volume Control Dome (3)**
- Screw **Dome Sleeve (4)** onto **Temperature Control Dome (5)** and **Volume Control Dome (3)**.
- Lock the **Thermostatic Face Plate (1)** securely against the wall using the **Thermostatic Face Plate Lock Ring (2)**.

Shower & Hand Shower Dimensions:



Tub Spout Dimensions:



IMPORTANT INSTALLATION INFORMATION

- USE TEFLON TAPE OR PIPE SEALANT FOR THREADED CONNECTIONS
- DO NOT USE PLUMBER'S PUTTY ON ANY OF THE BRASS COMPONENTS
This will cause the finish to tarnish and void the warranty. A non-corrosive Alkoxy Silicone is recommended.
- DURING SWEATING OF LINES DO NOT OVERHEAT CASTING
Overheating may cause damage to internal mechanism
- COPPER ADAPTORS MAY BE REQUIRED TO COMPLETE YOUR INSTALLATION

For technical support, please call 888-401-1900