



6508
6608

Features

- Available in 27 finishes including 12 PVD finishes
- All brass construction
- Spout has easy Quick Connect fitting
- Max Flow Rate: 16 gpm (60.6 L/min) at 60 psi
- Comes as complete set with trim and valves

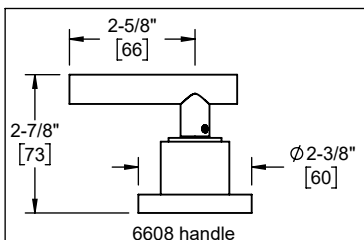
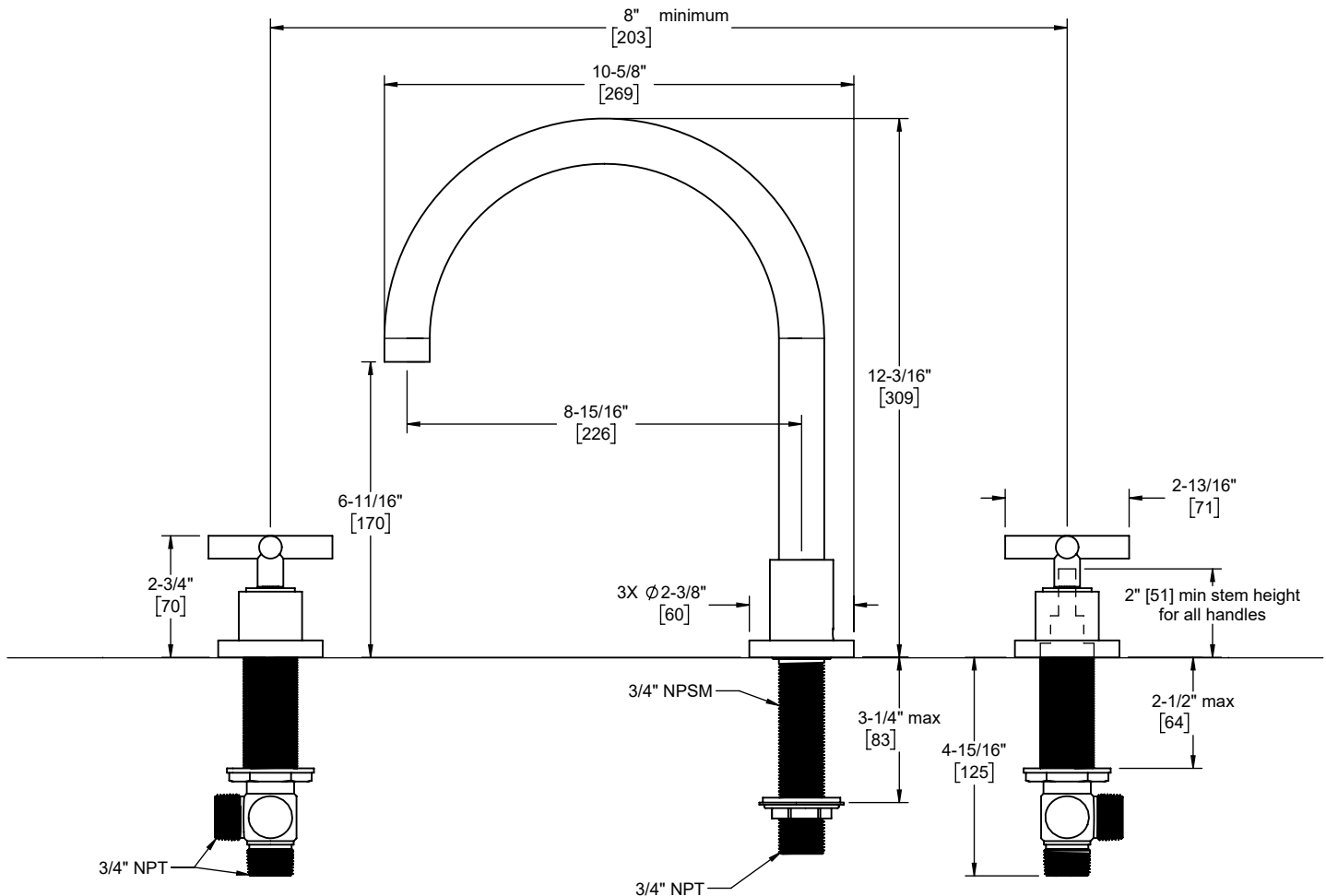
Codes/Standards

Product meets or exceeds the following:

- ASME A 112.18.1/CSA B125.1
- ADA compliant (lever handle only)
- Installation of upstream tempering device may be required (verify local codes)



6508 shown



Through-Hole Specifications			
	Min	Recommended	Max
Spout:	Ø 1" [25]	Ø 1-3/8" [35]	Ø 1-5/8" [41]
Valve:	Ø 1-1/4" [32]	Ø 1-3/8" [35]	Ø 1-5/8" [41]

Dimensions are inches, rounded to 1/16"
[Dimensions in brackets are mm, rounded to 1mm]

Roman Tub Installation Instructions

CALIFORNIA FAUCETS RECOMMENDS THAT ALL PLUMBING PRODUCTS BE INSTALLED BY A LICENSED PROFESSIONAL

IMPORTANT: Read all instructions prior to installation and provide copy of instructions to consumer.

Operating Specifications:

Recommended Supply Pressure: 20 to 70 psi*†

Maximum Flow Rate: 1.2 gpm

* Operating pressures between hot and cold supplies should vary no more than 30 psi.

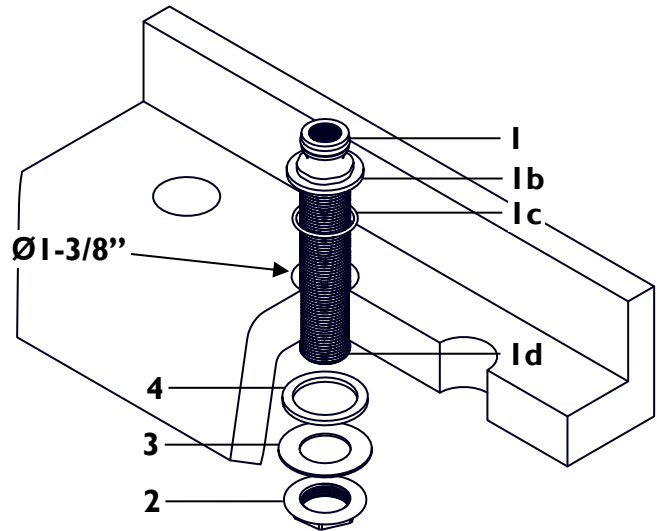
† If water pressure exceeds 70 psi, install a Pressure-Reducing Valve (PRV).

1 INSTALLING QUICK CONNECT

- Remove BRASS NUT (2), PLASTIC WASHER (3), and RUBBER WASHER (4) from QUICK CONNECT (1)
- Ensure that O-RING (1c) is properly seated in BRASS WASHER (1b)
- Insert QUICK CONNECT (1) through hole in deck

NOTE: Tub / Deck recommended hole size is $\varnothing 1-3/8''$

- Place RUBBER WASHER (4), PLASTIC WASHER (3), and BRASS NUT (2) onto quick connect SHANK (1d) from below and secure to tub/deck



2 INSTALLING VALVES

- From underneath insert VALVE (5) through appropriate tub/deck hole

IMPORTANT: VALVES (5) are labeled as follows:

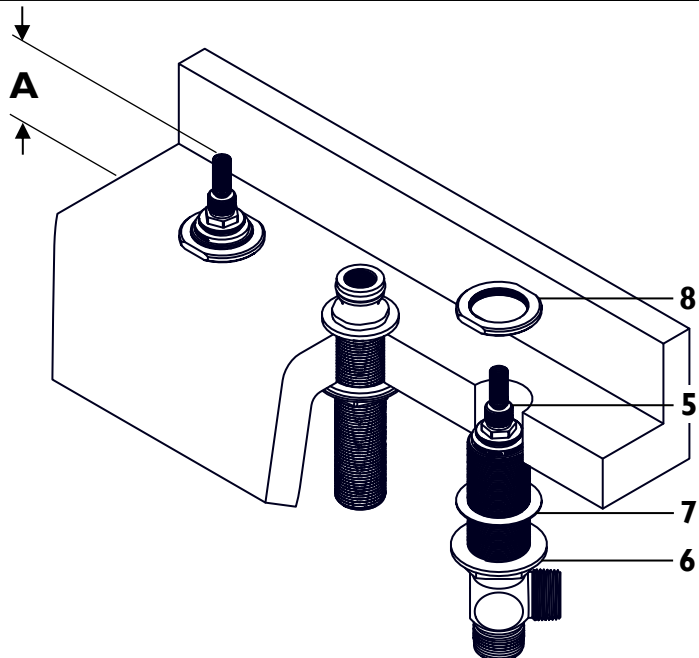
BLUE is **COLD** left turning (counterclockwise) closed

RED is **HOT** right-turning (clockwise) closed

- Position flange NUT (6), and WASHER (7) so that VALVE (5) extends above tub/deck surface according to table

Series	A
65	2"
66	1-13/16"
48	2-5/16"

- Secure VALVE (5) with TOP NUT (8)

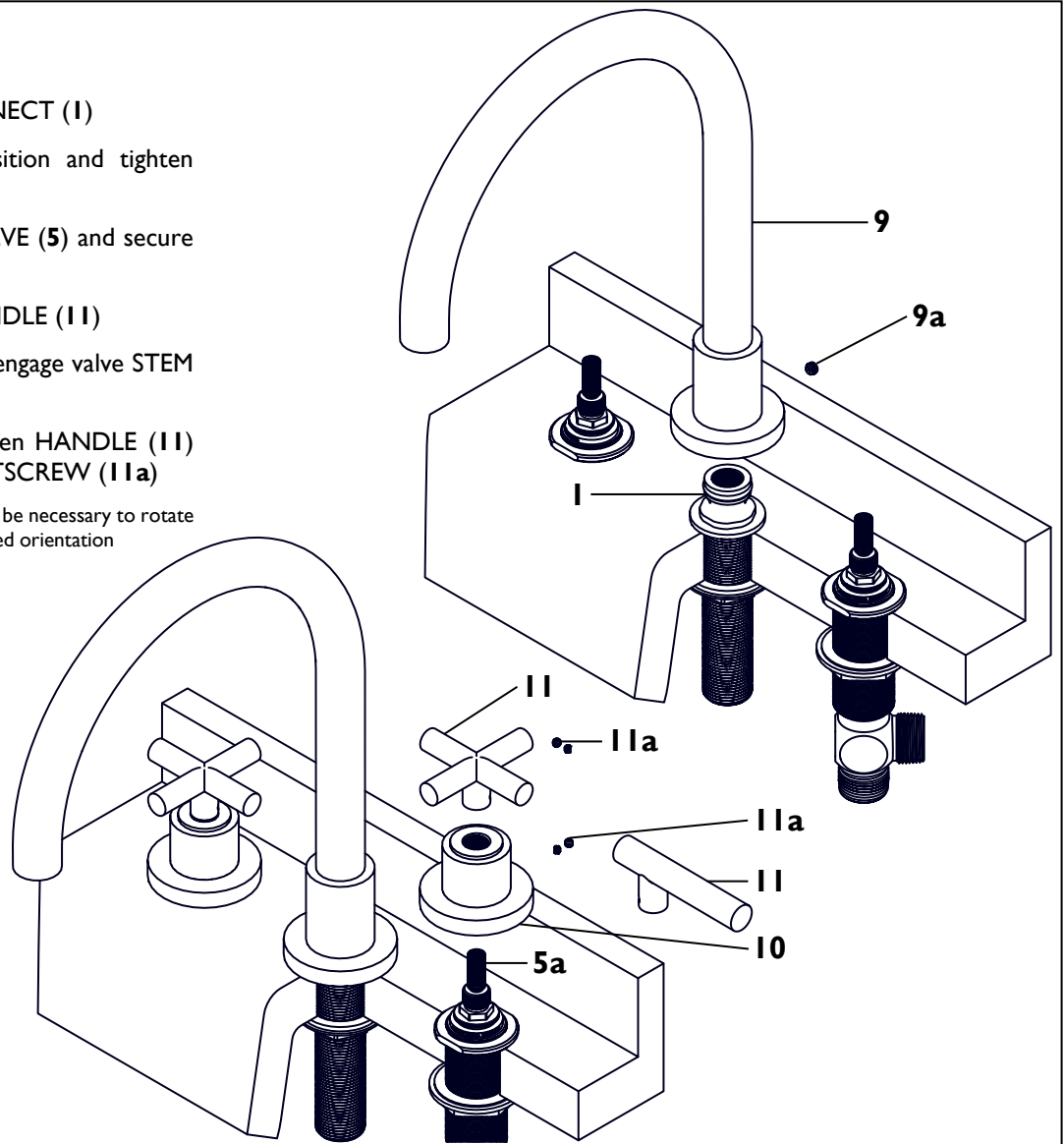


3

INSTALLING TRIM

- Seat SPOUT (9) onto QUICK CONNECT (1)
- Rotate SPOUT (9) to desired position and tighten SETSCREW (9a)
- Place ESCUTCHEON (10) onto VALVE (5) and secure to tub/deck surface
- Loosen SETSCREW (11a) from HANDLE (11)
- Slide HANDLE (11) down onto and engage valve STEM (5a)
- Allow a minimum gap (1/32") between HANDLE (11) and ESCUTCHEON (10), tighten SETSCREW (11a)

IMPORTANT: To obtain proper alignment it may be necessary to rotate VALVE (5) so that HANDLE (11) is aligned to desired orientation



4

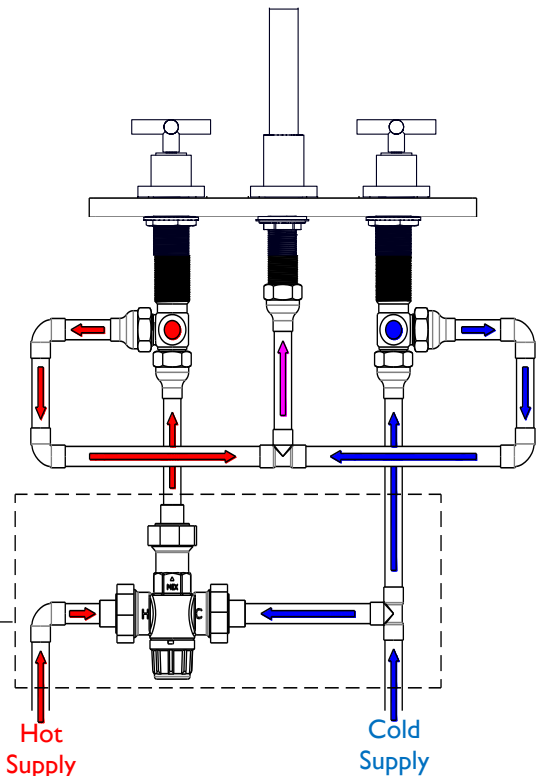
INSTALLING SUPPLY LINES

- Must use rigid copper piping (not flex) for all connections between spout and valves
- California Faucets recommends that all installation types have access panel(s) to allow for maintenance and/or service

Disclaimer: To conform to local codes and/or ordinances, it may be required that California Faucets Roman Tub sets be installed in conjunction with an ASSE 1070 approved tempering valve or equivalent (not included) to reduce hot water supply to a safe temperature.

Important: the INSTALLER is responsible to check local codes and/or ordinances, to confirm and verify proper maximum hot water temperature settings for all products installed

Warning: Water temperatures in excess of 110° F (43°C) are dangerous and may cause severe scalding and injury



Typical installation of ASSE 1070 tempering valve (follow tempering valve instructions)