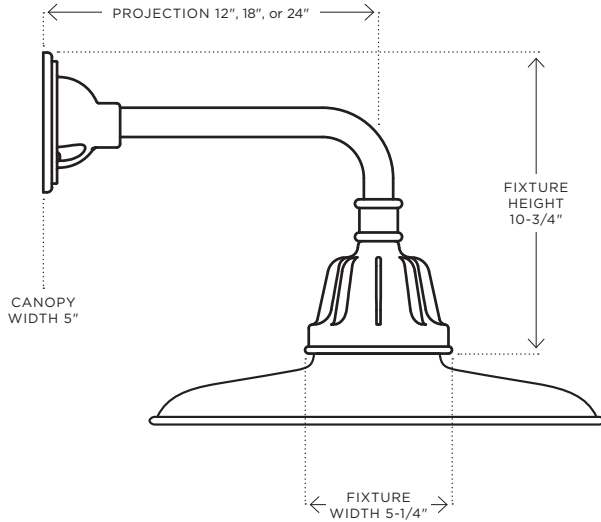


CARSON L-ARM

WAREHOUSE WALL FIXTURE

AVAILABLE SIZES: A4191 - 12"PROJ, 18"PROJ, 24"PROJ



DETAILS

UL RATING: Wet

NUMBER OF SOCKETS: 1

MAX WATTAGE: 300W

AVAILABLE SOCKET TYPES: Standard incandescent or GU24

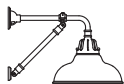
NUMBER OF AVAILABLE COMBINATIONS: 2,000+

NUMBER OF ARM SUPPORT OPTIONS: 5 available for 18" & 24" projection sizes

SHADE SHOWN: B0813- 16" Shallow Dome Reflector in Gloss Black

AVAILABLE FIXTURE FINISH: Carbon

ARM SUPPORT OPTIONS (18" & 24" PROJECTIONS ONLY)



SINGLE ARM SUPPORT
A0882



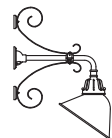
SINGLE CHAIN
SUPPORT
A1110



DOUBLE CHAIN
SUPPORT
A1201



SINGLE SCROLL
SUPPORT
A0009



DOUBLE SCROLL
SUPPORT
A0301