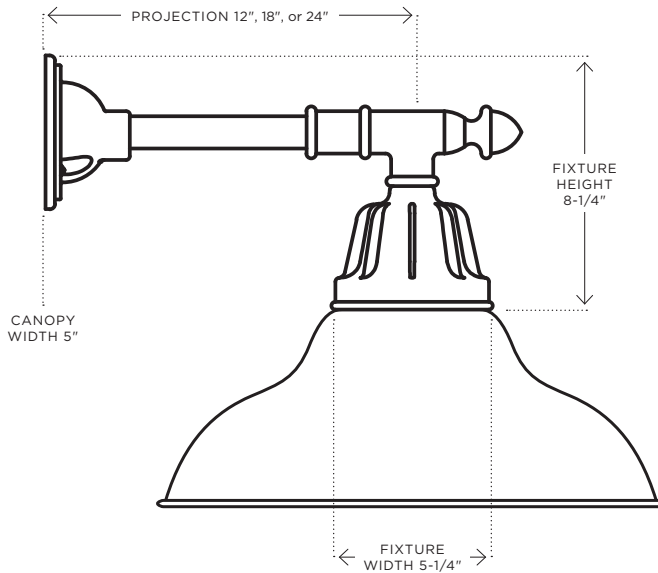


# CARSON STRAIGHT ARM

WAREHOUSE WALL FIXTURE

AVAILABLE SIZES: A6562 - 12"PROJ, 18"PROJ, 24"PROJ



## DETAILS

**UL RATING:** Wet

**NUMBER OF SOCKETS:** 1

**MAX WATTAGE:** 300W

**AVAILABLE SOCKET TYPES:** Standard incandescent or GU24

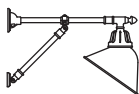
**NUMBER OF AVAILABLE COMBINATIONS:** 2,000+

**NUMBER OF ARM SUPPORT OPTIONS:** 5 available for 18" & 24" projection sizes

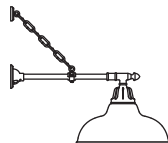
**SHADE SHOWN:** B1700 - 16" Deep Dome Warehouse in Tomato

**AVAILABLE FIXTURE FINISH:** Carbon

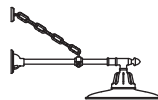
## ARM SUPPORT OPTIONS (18" & 24" PROJECTIONS ONLY)



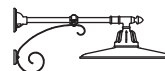
SINGLE ARM SUPPORT  
A0882



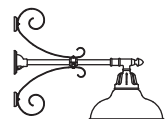
SINGLE CHAIN  
SUPPORT  
A1110



DOUBLE CHAIN  
SUPPORT  
A1201



SINGLE SCROLL  
SUPPORT  
A0009



DOUBLE SCROLL  
SUPPORT  
A0301