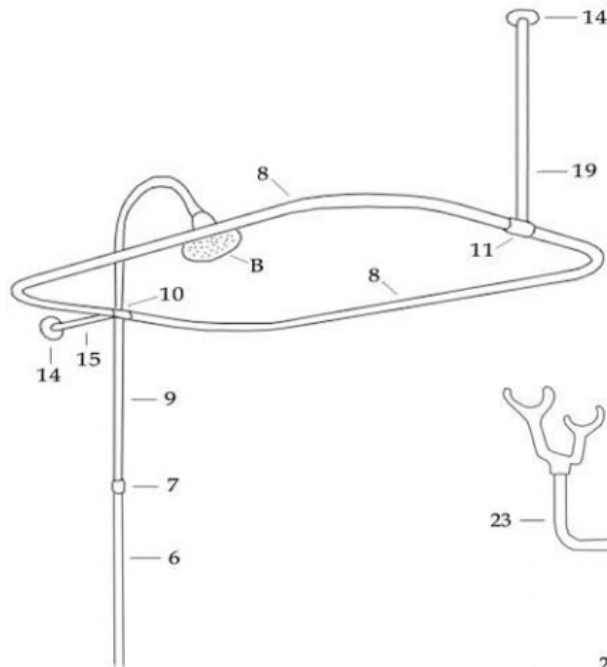


REJUVENATION®

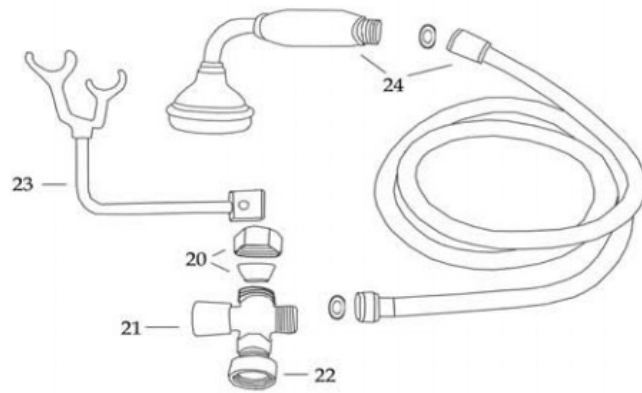
Deck Mount Shower and Tub Filler with Hand Shower

PARTS INCLUDED



BEFORE INSTALLATION:

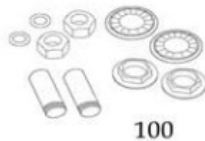
- Unpack & inventory all parts.
- Read instructions.



100- Hook Ups

200- Deck Mount Couplers with Washers

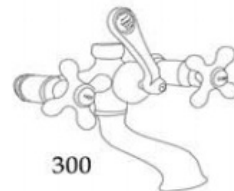
300- Faucet Body with Metal Cross Handles



100



200



300

INSTALLATION

This fixture has been carefully engineered to provide a long, trouble-free service life under normal usage. It has been factory-tested and is ready for installation. **This fixture must be installed by a qualified licensed plumber for the warranty to remain in effect.** We also strongly recommend tub & hardware be on site prior to rough in. Please use Teflon tape on all threaded connections available at your local hardware or plumbing supply. Installations can vary depending on how previous fixtures were installed. Necessary supplies to install your faucet are not all included; however, they are available wherever plumbing supplies are sold.

FAUCET ASSEMBLY

1. Shut off the water supply valves before installation.
2. Connect the shorter threaded end of hook up nipples (100) to the deck mount couplers (200). Insert the faucet through the 2 holes in the tub. Screw the locknuts onto the threaded nipples & tighten.

REJUVENATION®

Deck Mount Shower and Tub Filler with Hand Shower

3. Tighten the nuts of the deck mount couplers to the faucet body.
4. Insert the supply lines into the nipples & tighten the supply nuts.

Conversion Unit and Shower Riser Assembly (Reference Parts List)

1. Place the flat washer from the Adaptor Nut (22) into the shower opening of the tub faucet.
2. Screw the Adaptor Nut (22) into shower opening of the tub faucet. Use a pipe wrench to tighten the lock nut.
3. Insert the riser (9) through the hole on the top of the shower riser connector (10).
4. Use coupling connector (7) to connect lower riser (6) and upper riser (9).
5. Place the arm of the hand held shower cradle (23) onto the riser pipe tube (6).
6. Place the Riser Nut and Cone Washer (20) at the bottom of the lower riser (6).
7. Screw the riser nut (20) at the bottom of the lower riser (6) to the diverter valve (21).
Note: if the cone washer included is too big, switch it with a smaller cone washer or shave it down to the correct size. Many claw foot tubs have slightly slanted walls. The cone washer is designed to compensate for this fact.
8. **Hand tighten** the riser nut (20). Firmly tighten the riser nut only when the enclosure is completely installed.
9. Use set screw to connect 10" wall brace (15) to escutcheon (14).
10. Place the 10" wall brace (15) into the riser connector (10).
11. Attach the escutcheon (14) to the wall with screws.
12. Tighten the set screw on the hand held shower cradle handle (23) at your desired height.
13. Screw the hand shower hose to the hand held shower (24) and diverter valve (21) and set the hand shower on the cradle.
Note: When using a Vacuum Breaker (not included), connect between the hand held shower hose and diverter.
14. Use channel locks to tighten the hose locknut.

Shower Frame Assembly (Reference Parts List)

1. Use shower enclosure connector (11) and shower riser connector (10) to connect 2-piece frame (8) to become rectangular shower frame.
2. Use set screw to connect 30" ceiling brace (19) to escutcheon (14).
3. Screw the 30" ceiling brace (19) with escutcheon (14) on the shower enclosure connector (11) (upward) and attach the escutcheon (14) to the ceiling with screws.
4. Attach shower head (B) to shower arm on tube (9).
5. Use pipe wrench to tighten the riser nut (20).

CLEANING INSTRUCTIONS

To maintain and protect the luster of all products, clean with a soft, damp cloth only.