

# Tubelatch knob/knob or lever/lever entry set w/Level Lock

skill level

● skill level

## installation instructions

### Step 1-Installing the latches and spindle

Install latches as shown in Fig 1. and explained in Level lock box. The spindle comes with a rubber O-ring. Remove rubber O-ring from groove and set aside. Slide O-ring groove end of spindle through tubelatch until spindle is stopped by metal stop. Note: make sure spindle is in square orientation and set screw groove is facing towards door hinge. When spindle is in position re-install rubber O-ring on to spindle Detail A.

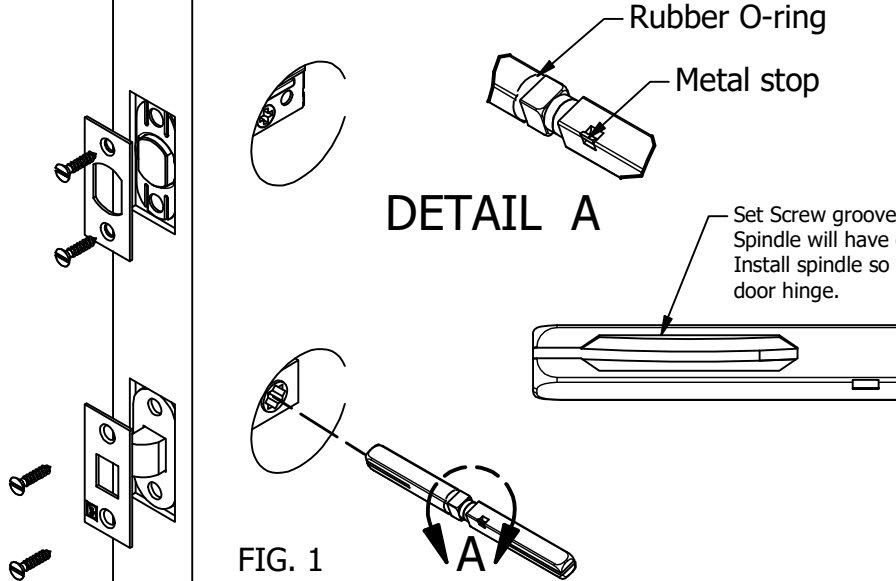
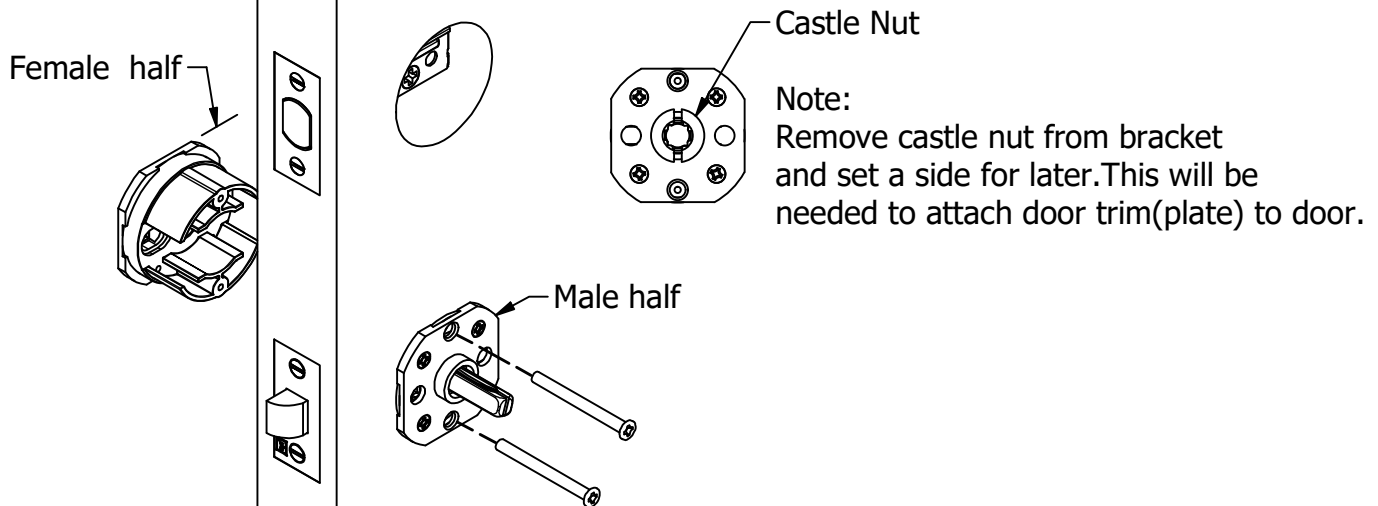


FIG. 1

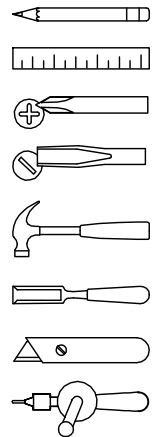
### Step 2-Installing the brackets

The bracket is designed to allow the knob/lever to turn in one direction only. There is a male and female half. the male half should be installed on interior side of door. Make sure the arrow on the bracket is pointing up. Secure with provided fasteners.



# REJUVENATION

● toolbox



# Tubelatch knob/knob or lever/lever entry set w/Level Lock

skill level

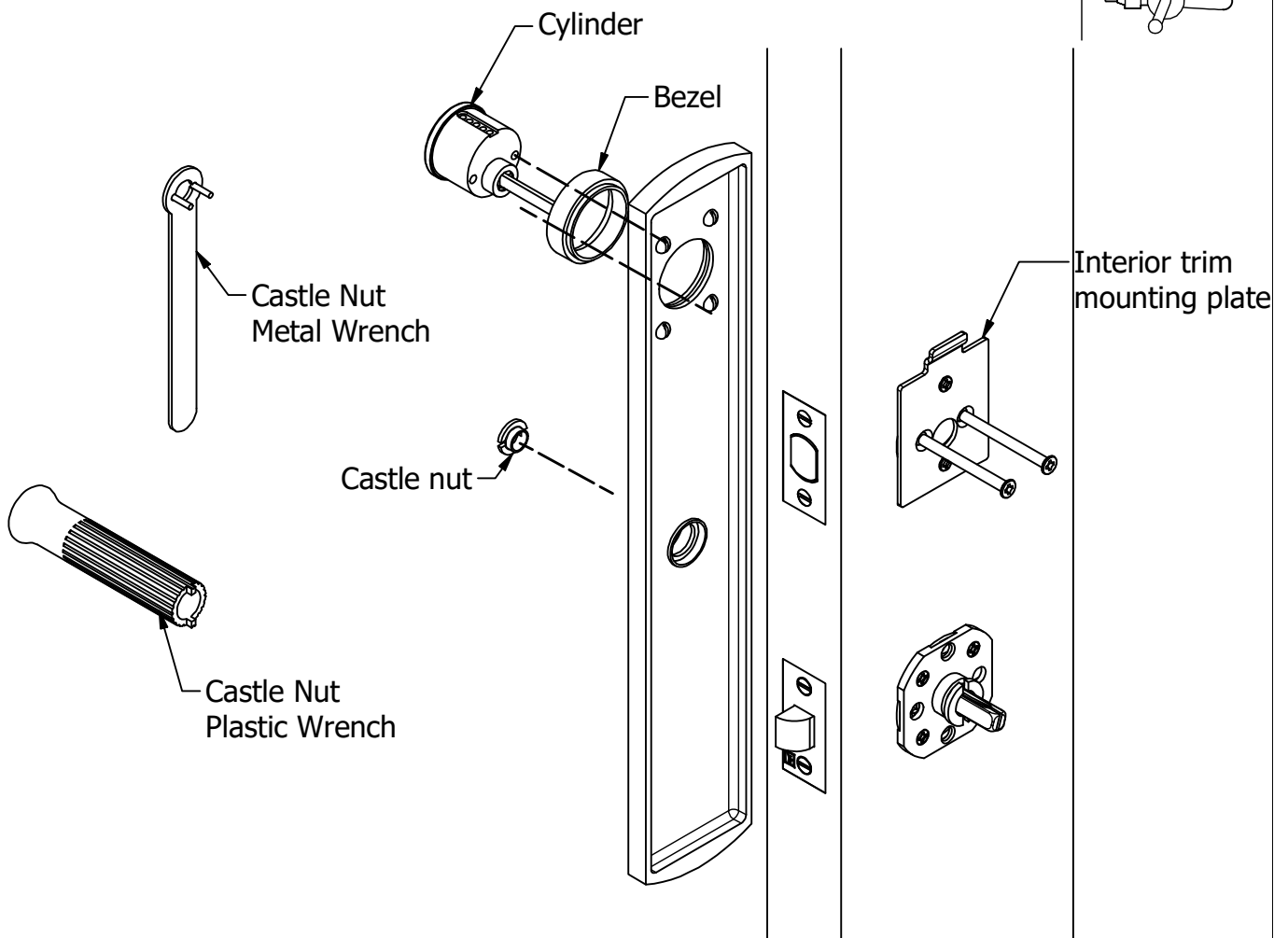
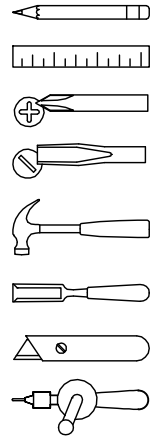
● skill level

installation instructions

## Step 3-Install exterior trim

Using the supplied castle nut and castle nut wrench, either metal or plastic, secure the plate and cylinder to the door. Before attaching cylinder, place cylinder into bezel so it seats in the recess. As shown in Fig 4, use the provided fasteners and interior trim mounting plate (note: fasteners should be snug, but not overly tight). Make sure the tail piece of the cylinder is in the vertical position.

● toolbox



# Tubelatch knob/knob or lever/lever entry set w/Level Lock

skill level

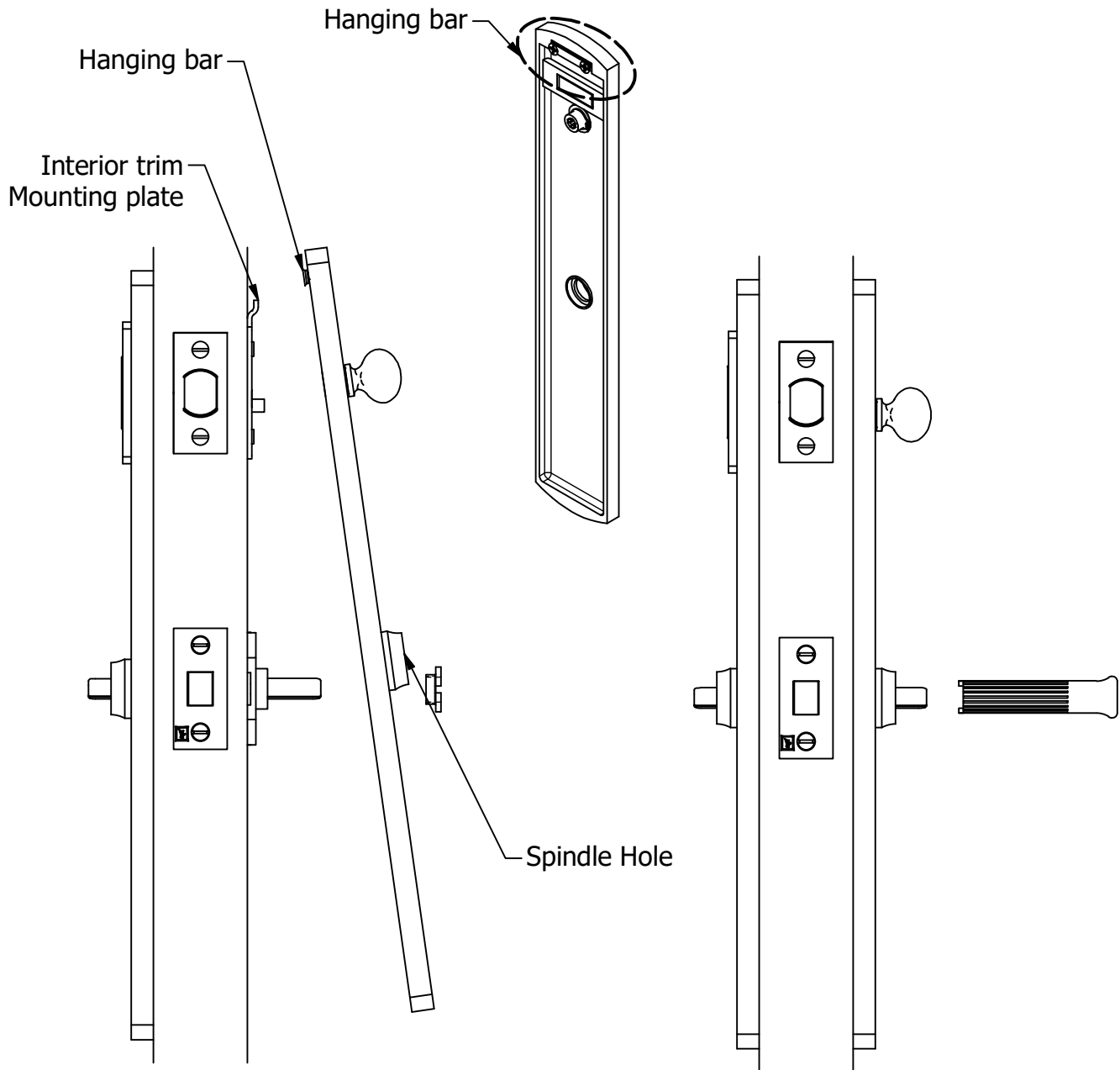
● skill level

● toolbox

installation instructions

## Step 4-Installing the interior plate.

Install plate as shown. With the interior tilted out slightly, position it over the trim mounting bracket and gently slide down, align the spindle hole over the spindle. secure with supplied castle nut and wrench.



# Tubelatch knob/knob or lever/lever entry set w/Level Lock

skill level

• skill level

• toolbox

installation instructions

## Step 5- Installing handle(s)

Install the door knobs or levers by matching the spindle orientation with square orientation on the handle. Secure knob by tightening the set screws. Align knob on spindle so that set screws seat in grooves in spindle. Note: the doorknob should fit closely to the collar on the doorplate but with a small amount of play so that the doorknob does not bind when turned.

