

---

# REJUVENATION

---

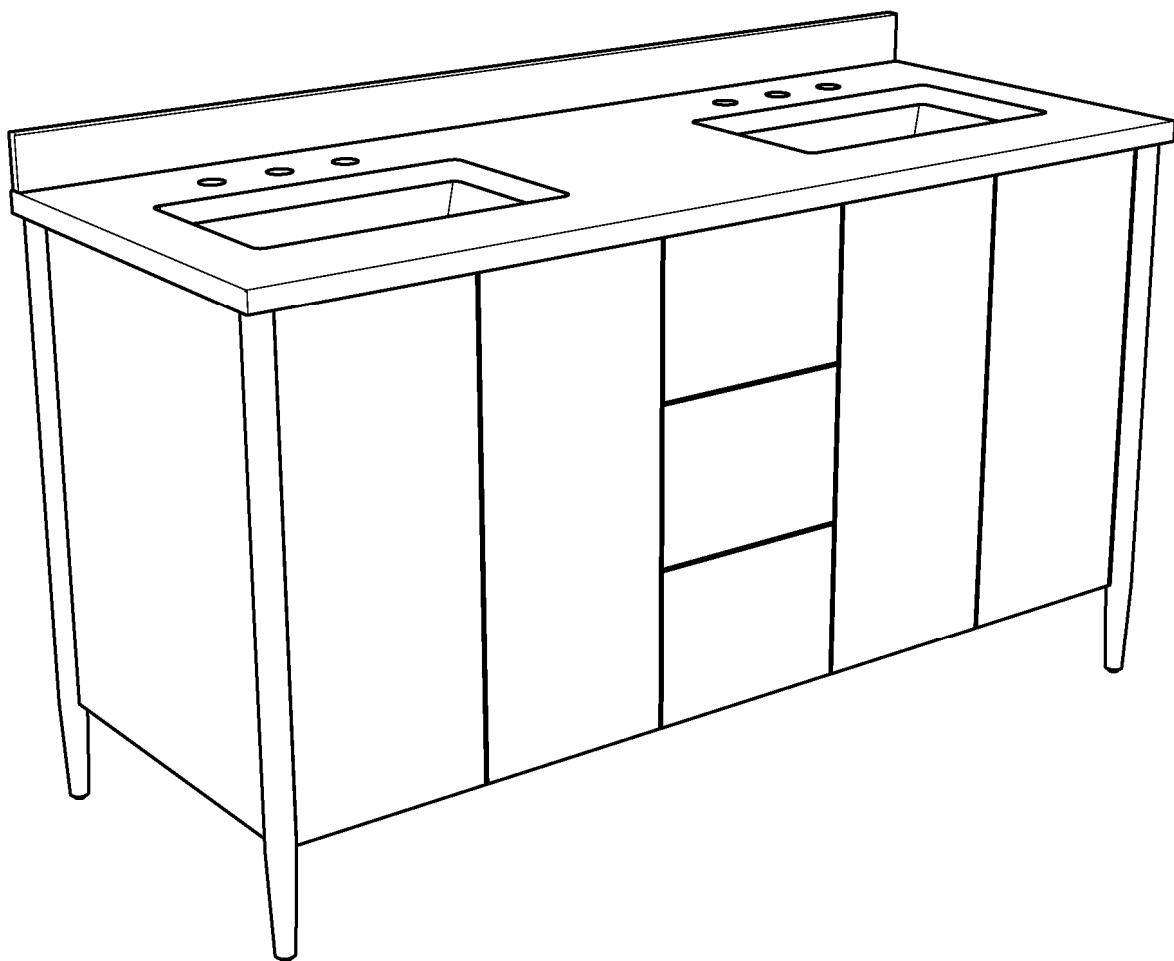
Assembly instructions  
Instructions d'assemblage  
Instrucciones de Ensamblaje

2019-09-13

[www.rejuvenation.com](http://www.rejuvenation.com)

1/14

---



**SHAW 60in Vanity**

## BEFORE YOU BEGIN

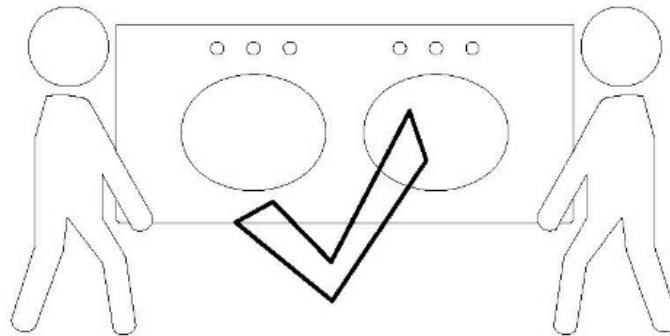
- Marble top is both heavy, and until installed, fragile. Please have a helper and use caution when moving marble top.

### Important Safety Instructions:

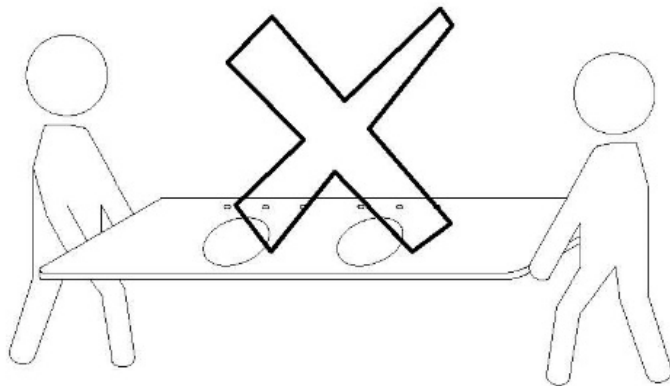
Keep natural stone materials in its packaging until installation and store on its edge.

**CAUTION:** When removing natural stone product from its package, always ensure it is removed vertically on its long edge.

- Always carry natural stone product vertically on its long edge.



- Carrying natural stone flat WILL cause them to crack or break.



## BEFORE YOU BEGIN (cont'd)

- Make sure to observe all local plumbing codes.
- Prior to installation, unpack and inspect both the console and marble top and porcelain lavatory for damage. Locate the installation parts package and put in a safe place—you will need this for installation.
- *Do not dispose of any packaging or contents of the shipping carton until assembly is completed to avoid accidentally discarding small parts or hardware.*
- Installation assumes that walls and floor are plumb and level. Please make appropriate adjustments for other conditions.
- Remove any molding that may prevent the console from being set flush to the finished wall.

## TOOLS AND MATERIALS

- Tape measure
- Pencil
- Level
- Drill with appropriate drill and driver bits
- Eye protection
- Clear 100% silicone adhesive caulk
- Screws for securing console to building framing.

## CARE INSTRUCTIONS

- Dust often using a clean, soft, dry and lint-free cloth.
- Immediately blot up spills, then wipe with a clean, damp cloth.
- We do not recommend the use of chemical cleansers, abrasives or furniture polish on our lacquered finish.
- Hardware may loosen over time. Periodically check to make sure all connections are tight. Re-tighten if necessary.

# REJUVENATION

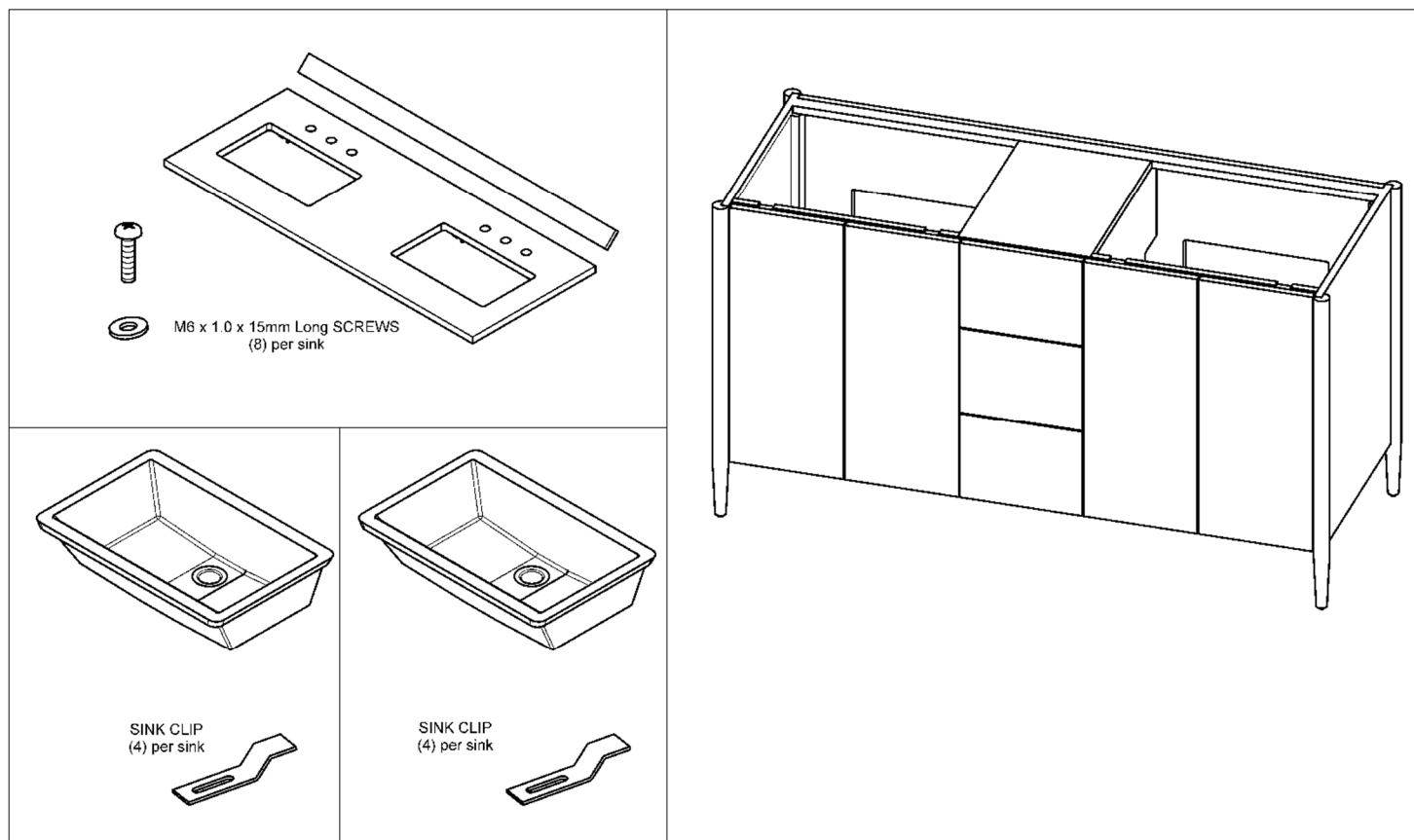
Assembly instructions  
Instructions d'assemblage  
Instrucciones de Ensamblaje

2019-09-13

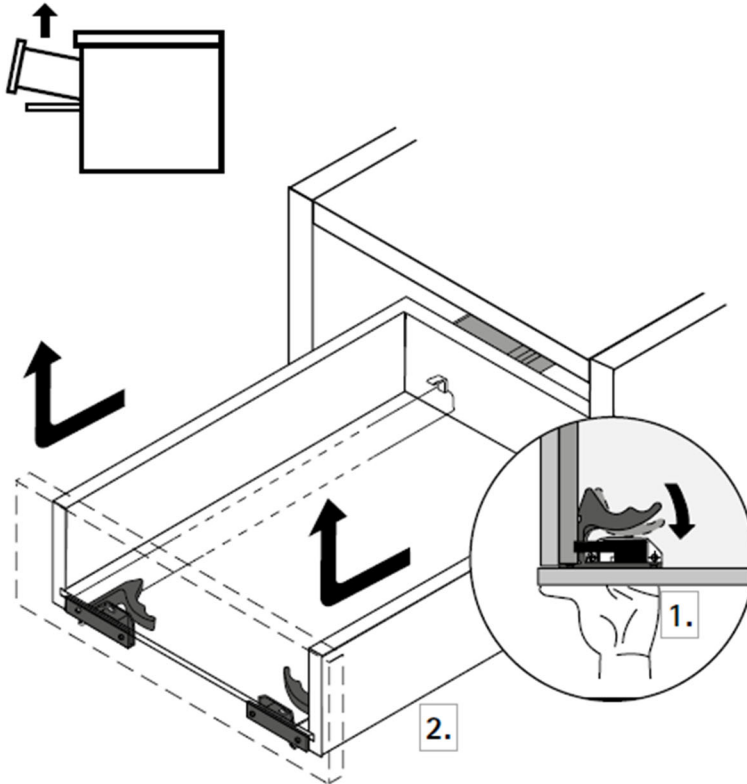
www.rejuvenation.com

4/14

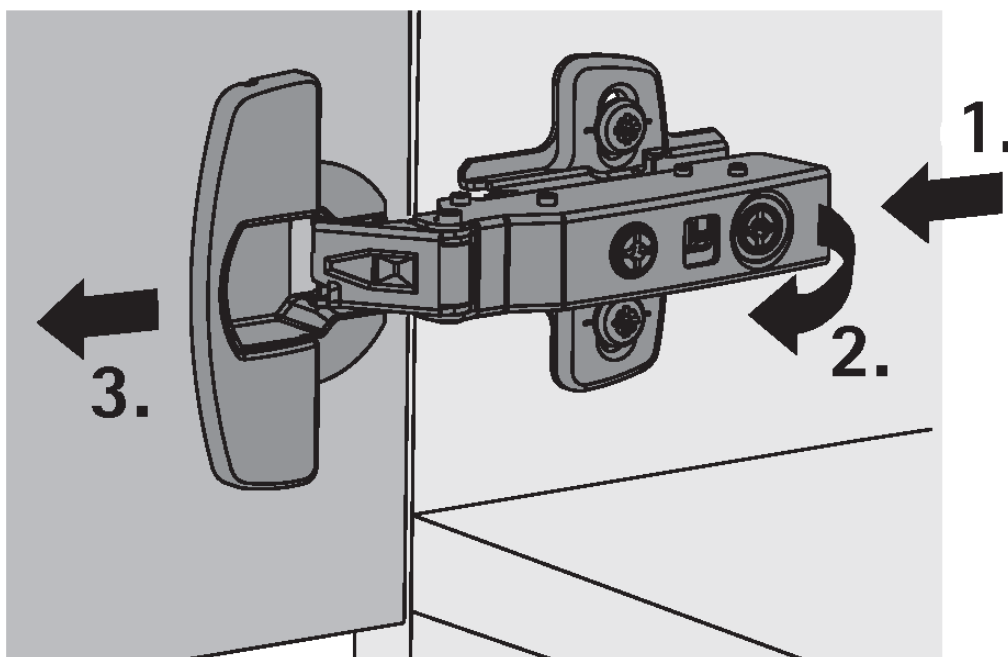
PACKED IN 4 BOXES AS SHOWN



- Remove the drawers. Mark locations and set aside in a safe place.

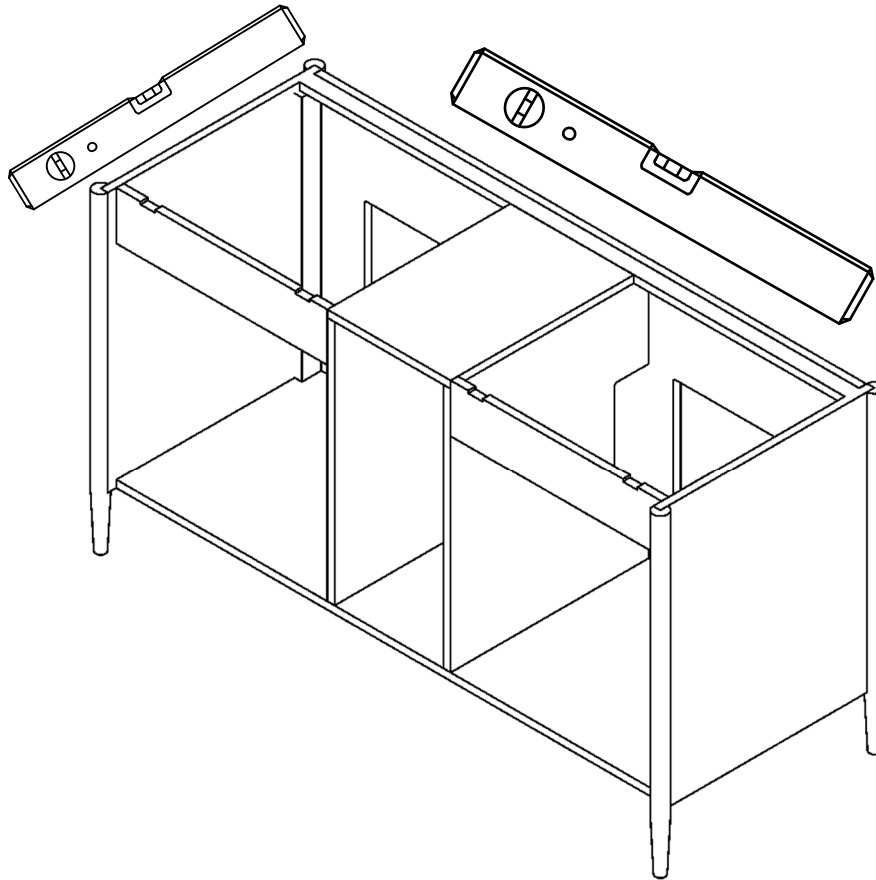


- Remove the doors. No tools required. Mark locations and set aside in a safe place.



## POSITION THE VANITY BASE

- Position the vanity base in the desired location against the finished wall. Remove baseboard as needed.
- Verify that the vanity base is level: front to back and side to side. Adjust the levelers at the bottom of the legs as necessary. Once level, extend center foot leveler to floor.

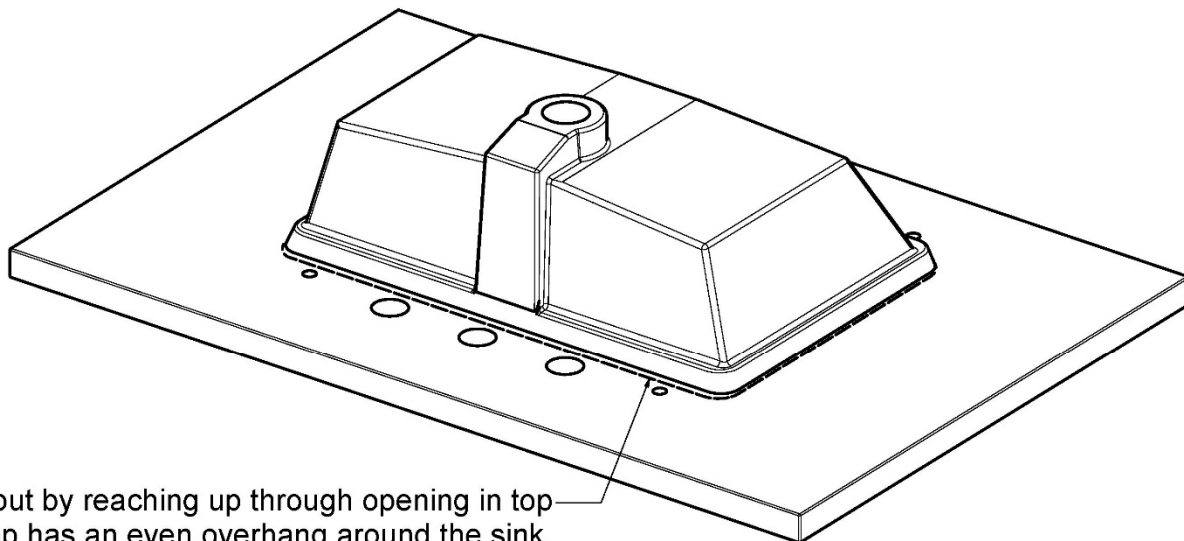


## ATTACH THE VANITY BASE TO THE WALL

- Locate two wall studs to secure the vanity base. Make sure to avoid plumbing.
- Mark these locations on the back of the vanity base. Drill pilot holes through the back rail and into the studs. If necessary, provide shims between vanity and back rail so the vanity base is not distorted.
- Using screws (not supplied), secure the vanity to the wall. Do not use wall anchors.

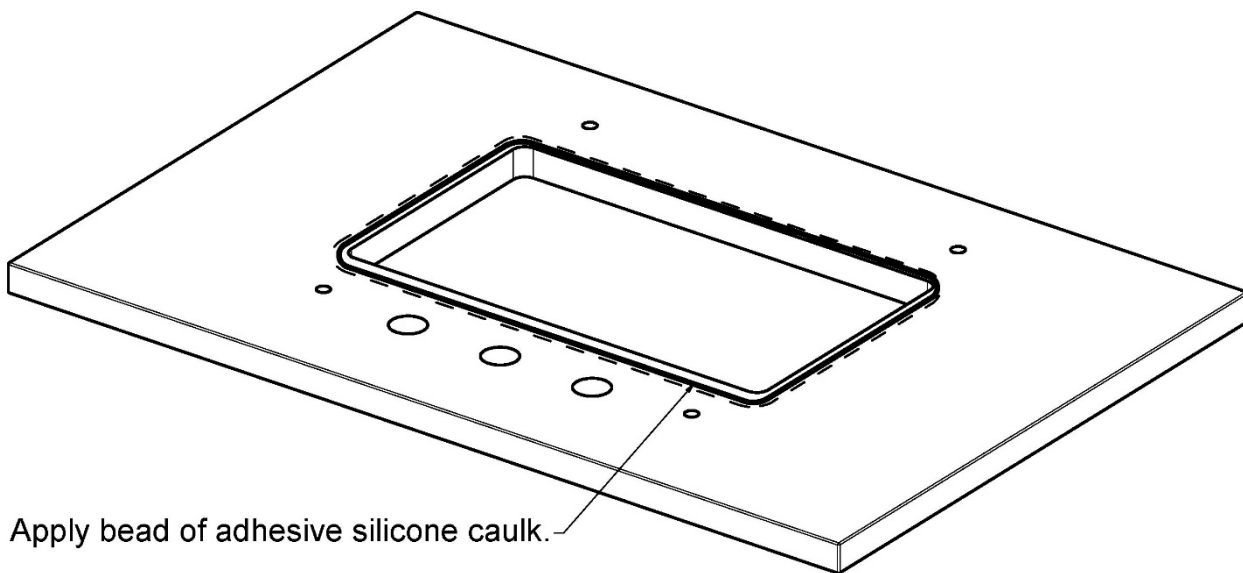
## ATTACH THE UNDERMOUNT SINK TO THE TOP

Single sink shown. Double sink similar



Center sink on cutout by reaching up through opening in top and verifying top has an even overhang around the sink. Once centered, mark location.

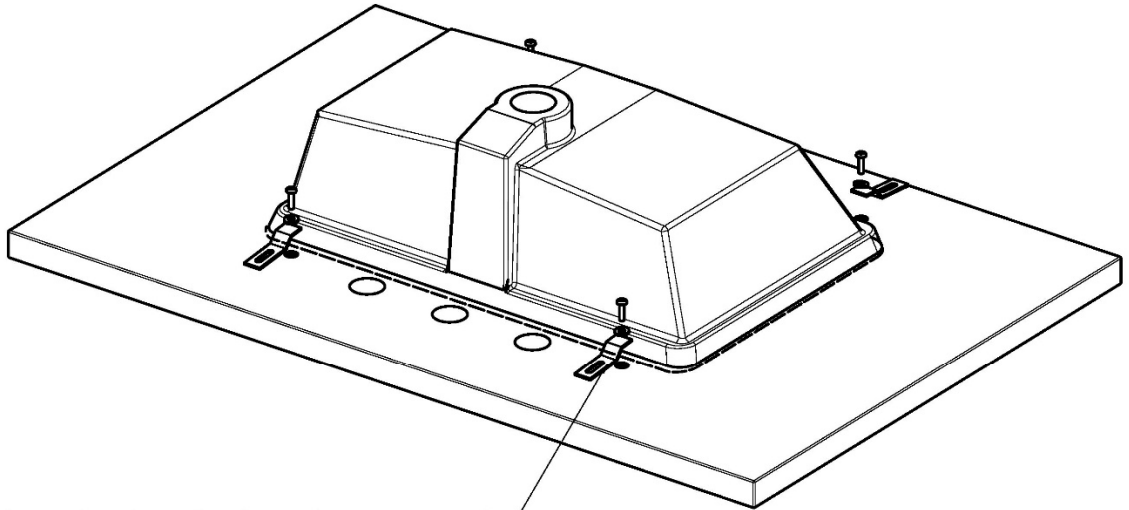
Note orientation of sink.  
Drain is towards side with faucet holes.



Apply bead of adhesive silicone caulk.

## ATTACH THE UNDERMOUNT SINK TO THE TOP (CONT'D)

Single sink shown. Double sink similar



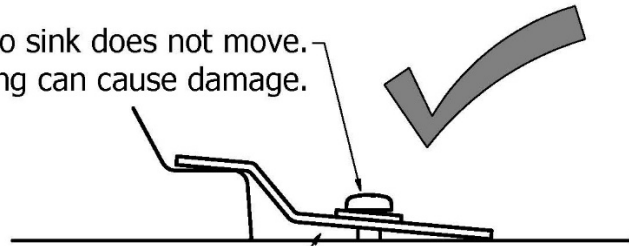
Realign sink and install 4 clips with screws per sink.

**!! Use hand screwdriver only !!**

Screws only need to be snug enough that sink does not move.  
The clips do not have to be flat against the stone top.

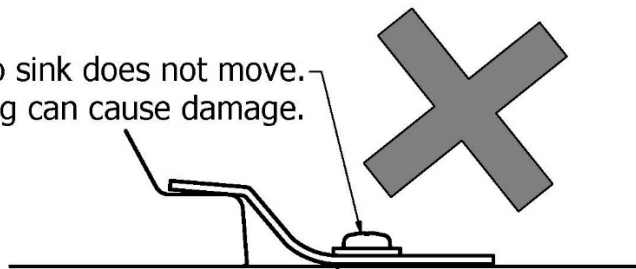
Let caulk cure per manufacturer's directions.

Hand tighten screw snugly enough so sink does not move.  
Over torquing can cause damage.



GAP between CLIP and TOP is OK

Hand tighten screw snugly so sink does not move.  
Over torquing can cause damage.



Do NOT try to screw clip tight against stone top.



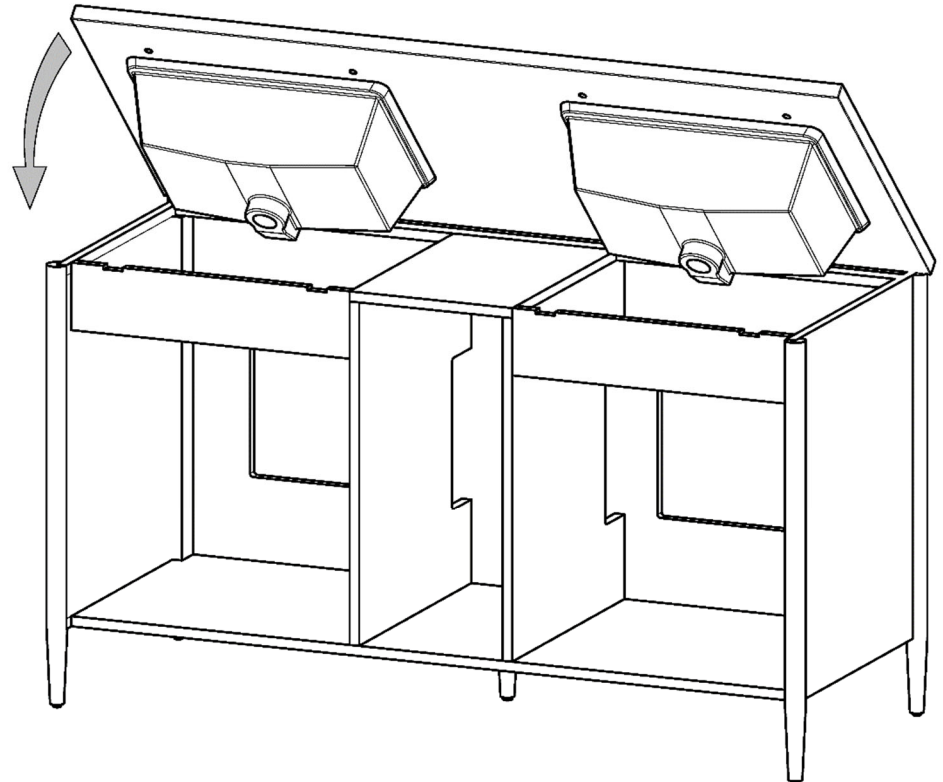
## ATTACH TOP TO VANITY BASE

**TWO PEOPLE REQUIRED !**

Place bead of caulk along top edge of vanity base.

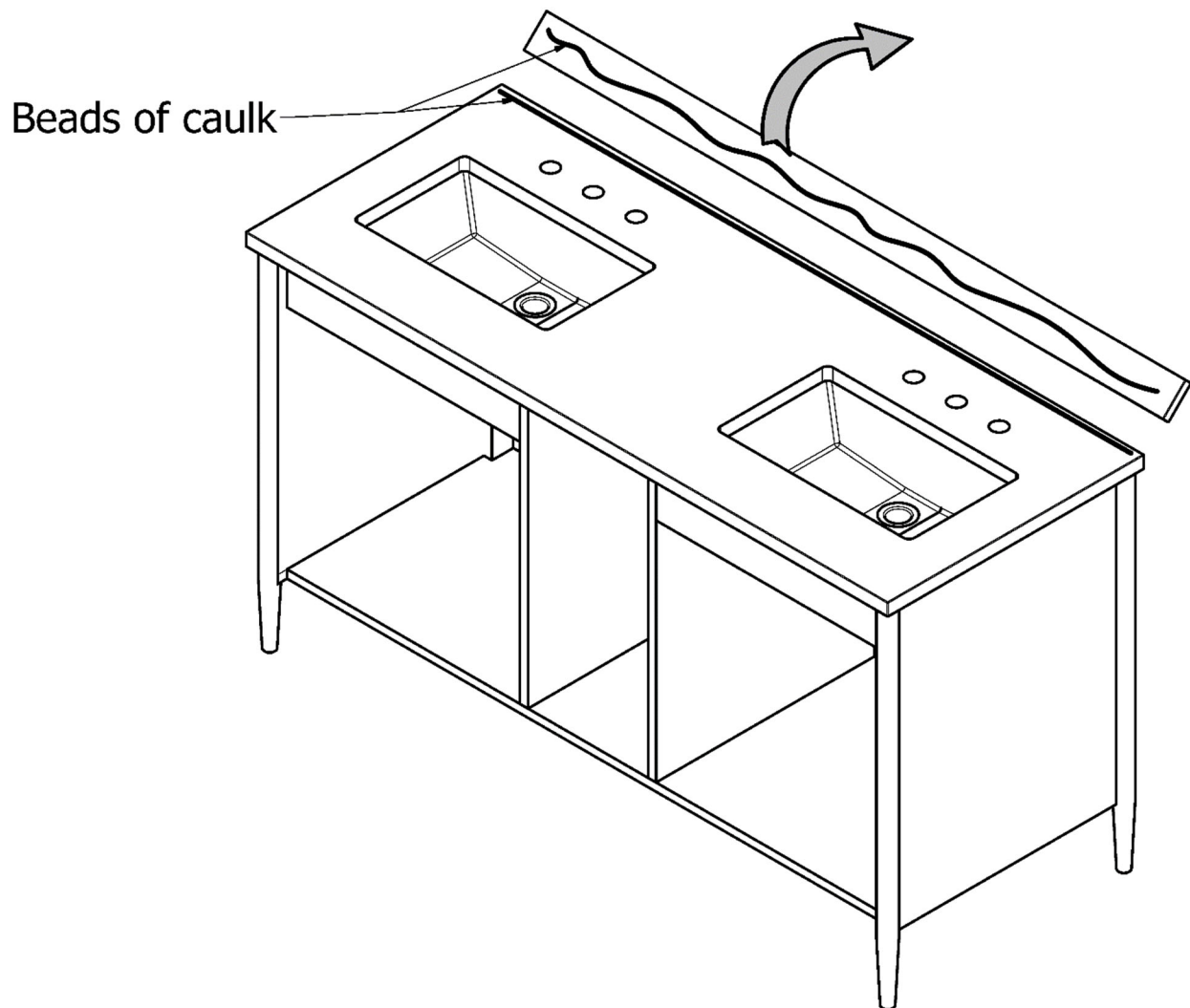
Lower down slowly while back edge of top rests on back of vanity.

Push back against wall and align overhang side to side.



## INSTALL BACKSPLASH

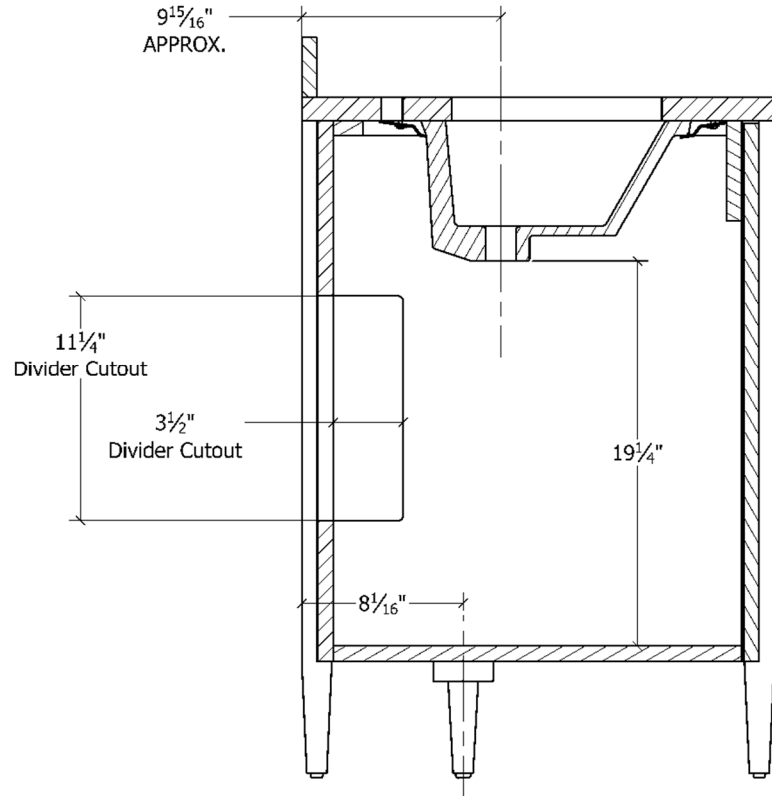
- Apply a bead of caulk at the back of the top and BACK of the backsplash.
- Press against wall and align evenly side to side.
- Hold in place with blue painter's tape until caulk cures.



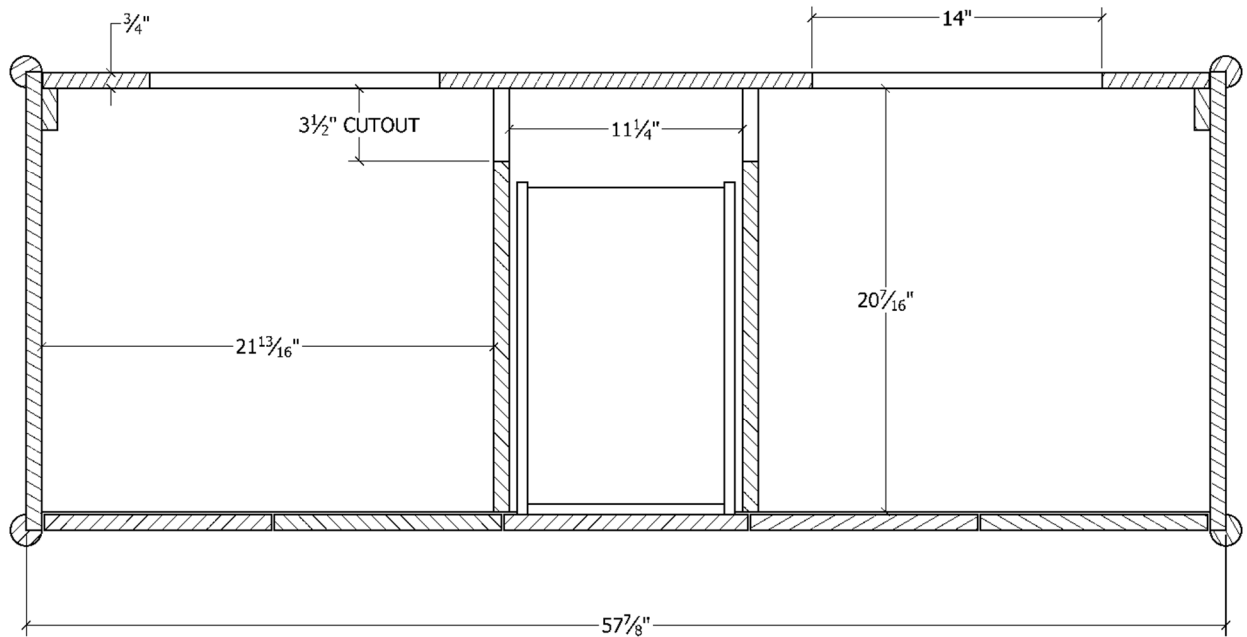
## CONNECT FAUCETS AND PLUMBING

Keep these clearances in mind when routing plumbing

### SECTION VIEW LOOKING FROM SIDE

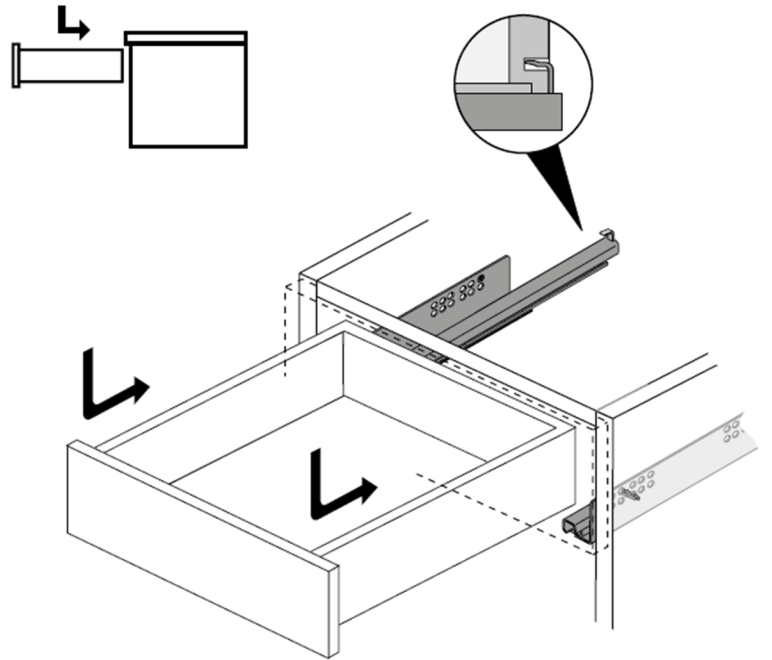


### SECTION VIEW LOOKING FROM TOP



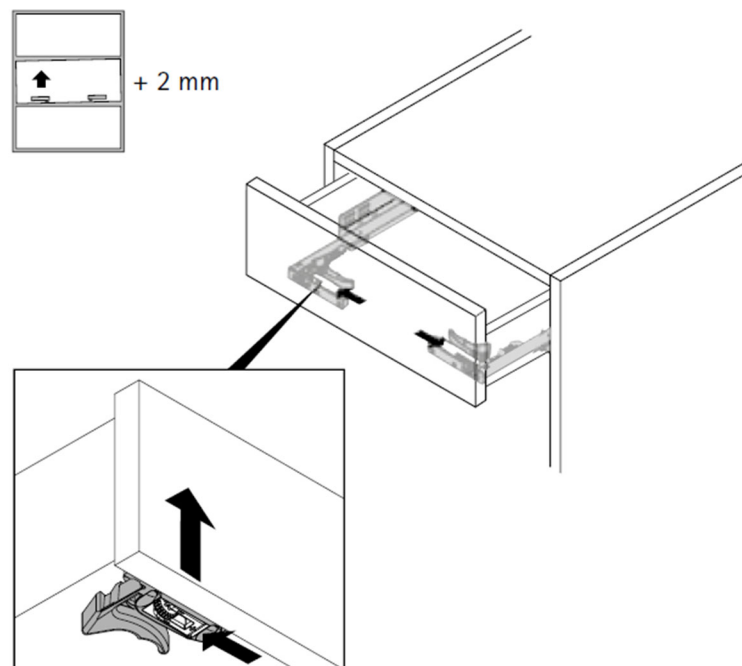
## REINSTALL DRAWERS

Make sure drawers go back to original location



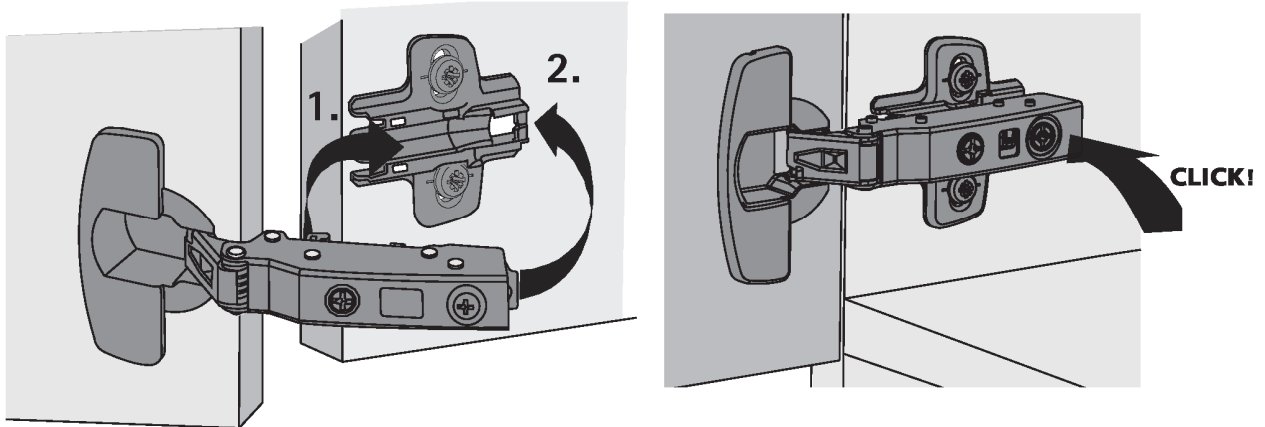
## ADJUST DRAWERS

to create even gaps around them if necessary



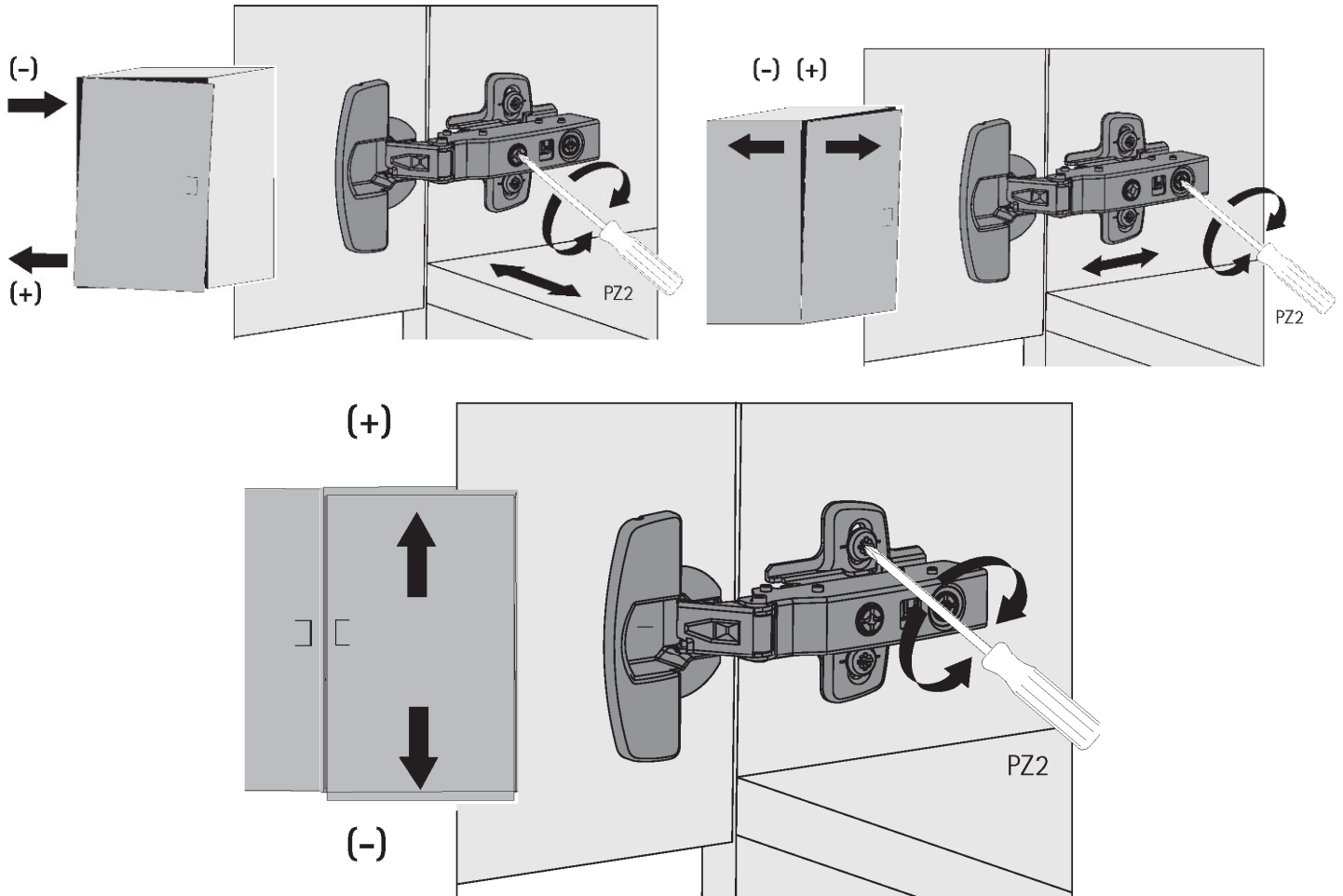
## REINSTALL DOORS

Make sure doors go back to original location



## ADJUST DOORS

to create even gaps around them if necessary



# REJUVENATION

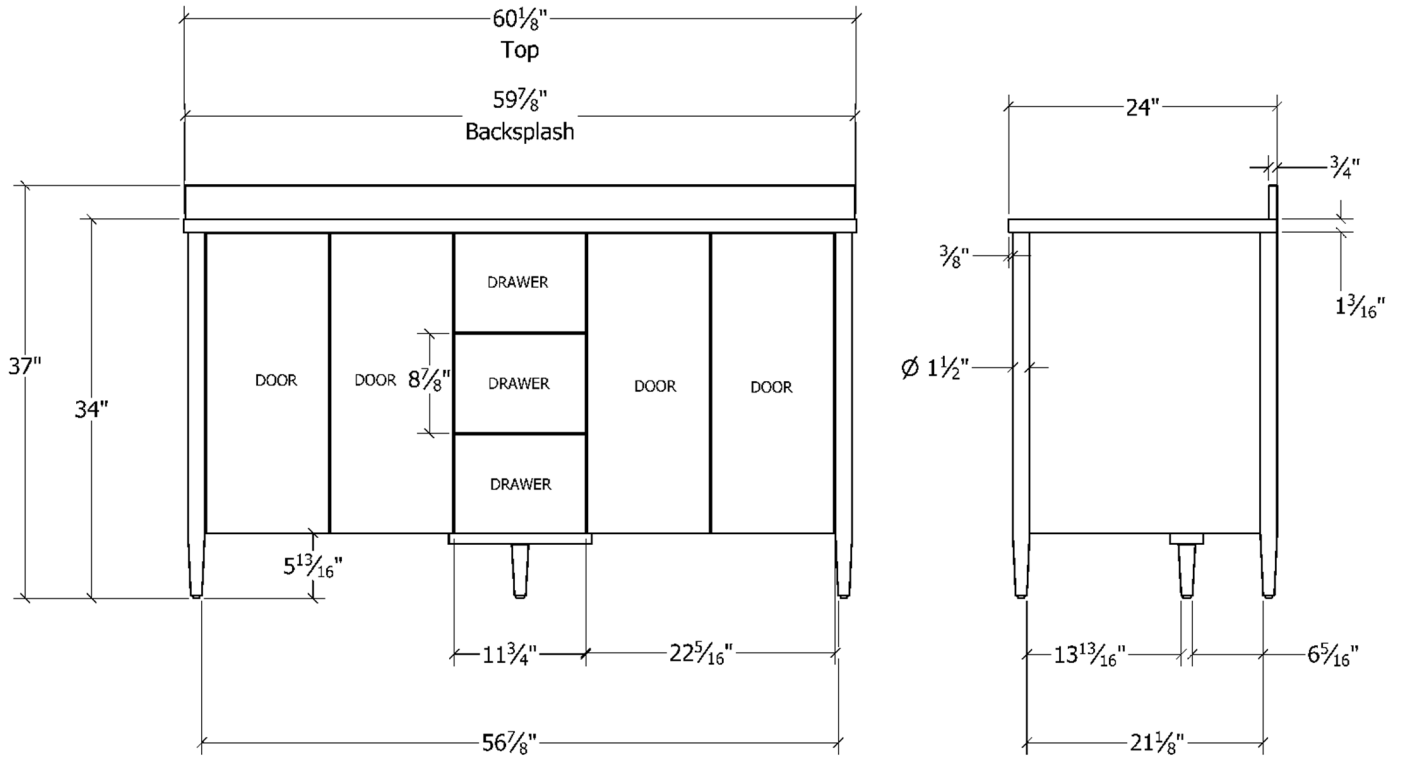
Assembly instructions  
Instructions d'assemblage  
Instrucciones de Ensamblaje

2019-09-13

www.rejuvenation.com

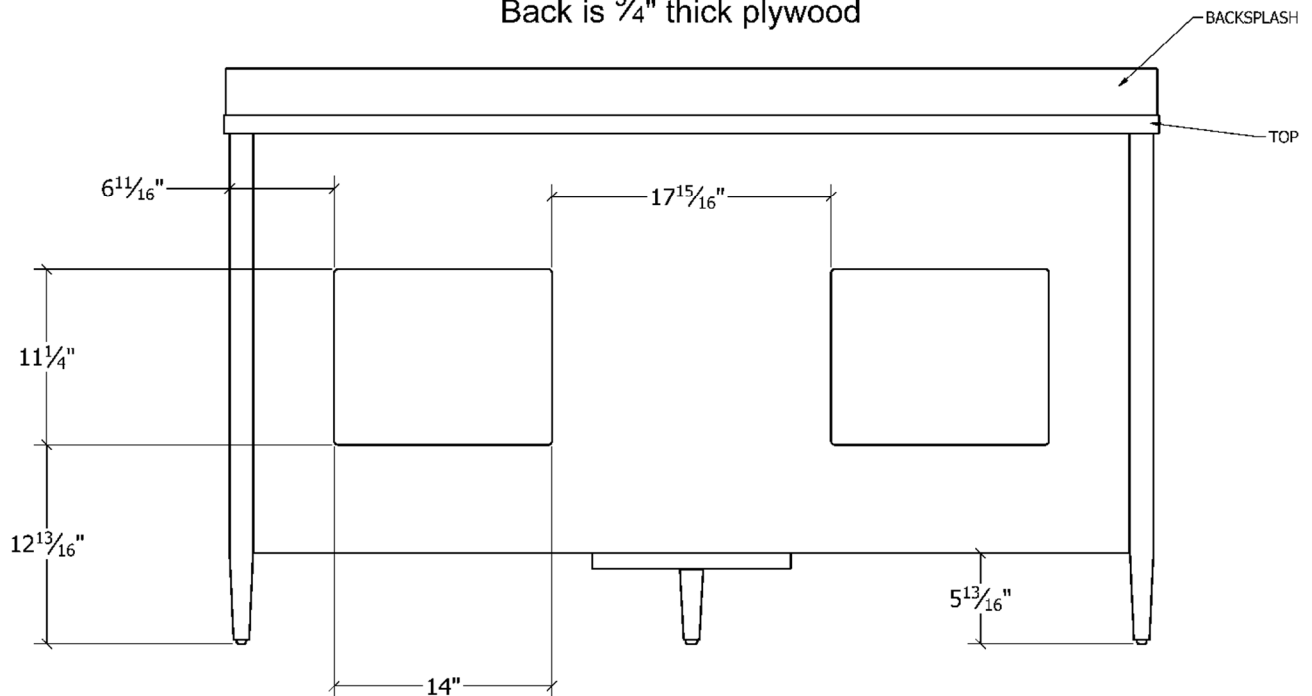
14/14

## DIMENSIONS

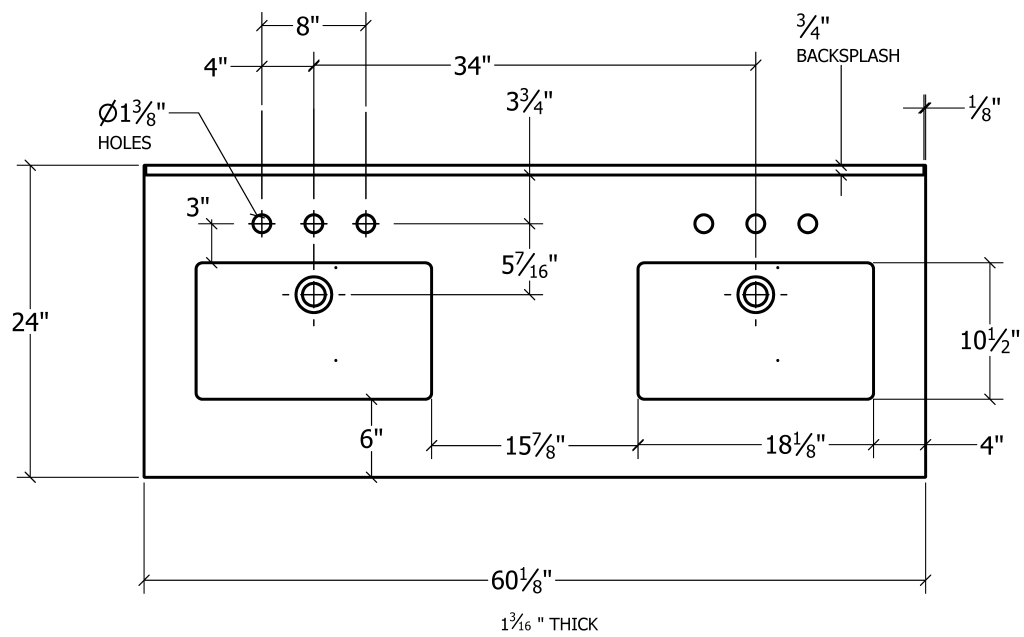


## BACK PLUMBING ACCESS CUTOUTS

Back is  $\frac{3}{4}"$  thick plywood



## DIMENSIONS



# REJUVENATION

www.Rejuvenation.com

## Specifications:

<b>Installation:</b>	Undercounter
<b>Interior Dimensions:</b>	18 5/8" w x 11" d x 5 1/2" h
<b>Exterior Dimensions:</b>	20 3/4" w x 13 1/2" d x 7 1/4" h
<b>Material:</b>	Porcelain
<b>Weight:</b>	18 lbs
<b>Overflow:</b>	Yes
<b>Finishes:</b>	001 - White
<b>Faucet Holes:</b>	n/a
<b>Cutout Size:</b>	18 1/8" x 10 1/2" (template available upon request)
<b>Drain Hole Size:</b>	Ø 1 3/4"



## Features:

- Porcelain sink with overflow
- Most standard American drains can also be used
- Single glazed (unglazed exterior)
- Current cut-out template can be requested

## Codes + Standards:

- Meets and exceeds applicable national codes and standards

**ADA**

compliant when installed to specific requirements of this regulation

**CUT OUT**  
18 1/8" x 10 1/2"  
460 x 267

