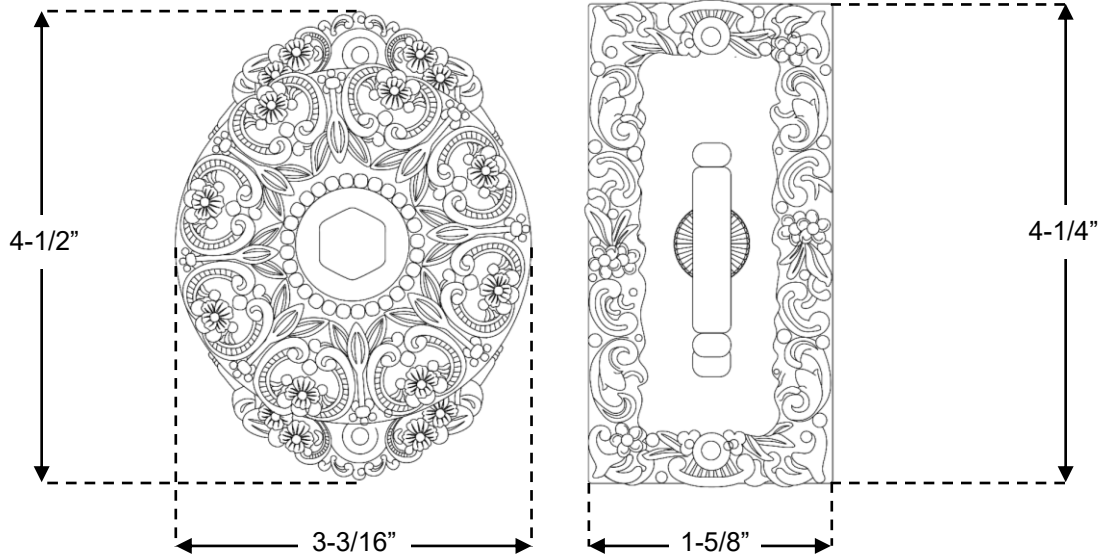


REJUVENATION[®]

Victorian Twist doorbell button

Installation Instructions Premium Grade Solid Brass



Dimensions:

Bell

- Length: 4-1/2"
- Width: 3-3/16"
- Height: 2"
- c/c: 3-5/8"
- Diameter: 2-7/8"

Turnkey

- Plate: 1-5/8" x 4-1/4"
- Length: 4"

Dimensions are for reference use only.

For exact dimensions, please measure actual part.



Installation Instructions:

1. Determine and mark the doorbell mounting location.
2. Drill a hole large enough to accommodate the twist spindle.
3. Put the turnkey in place through the hole. Mark and drill pilot holes.
4. Attach the twist plate to the door using the screws provided.
5. On the inside of the door, fit the doorbell onto the twist mechanism and mark the positions of the mounting holes.
6. Drill pilot holes and attach the doorbell to the door.