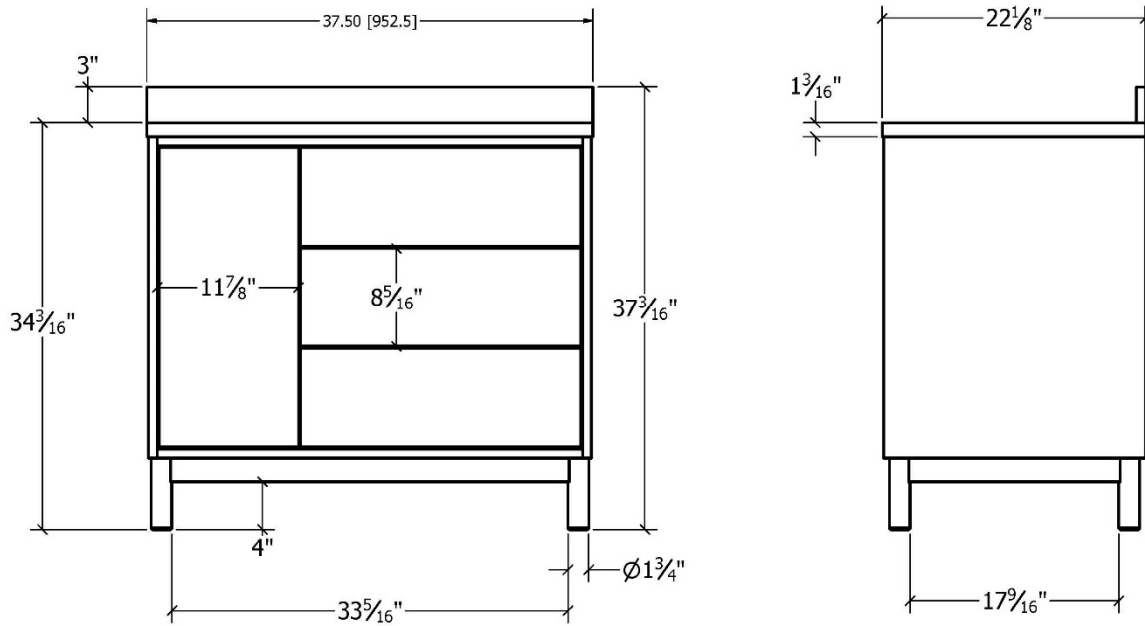
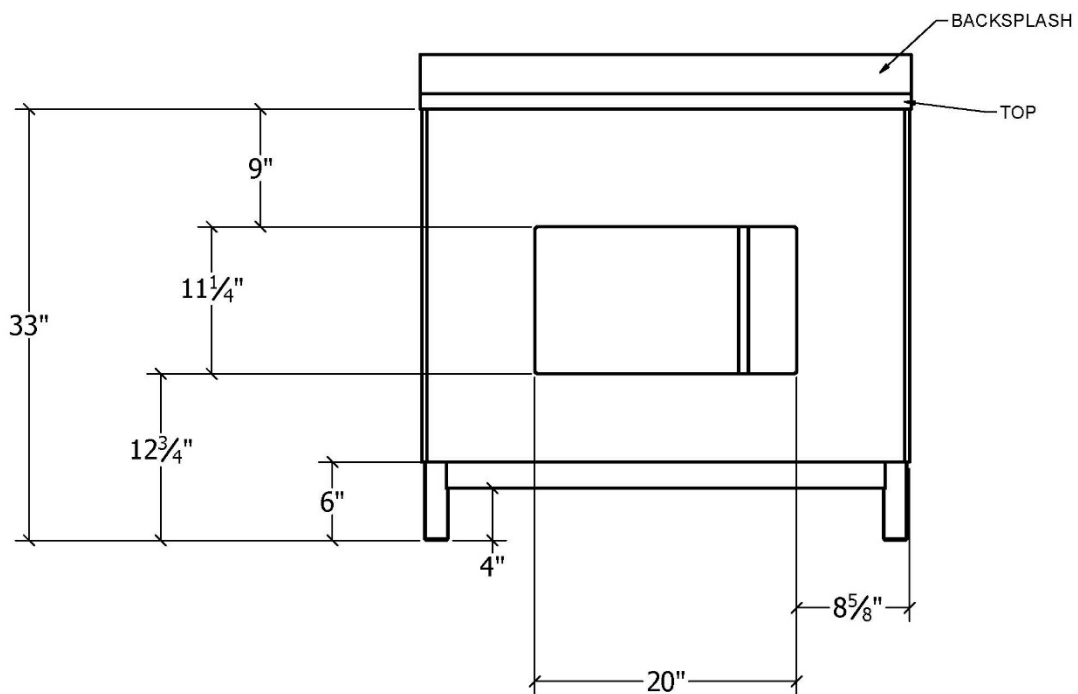


DIMENSIONS

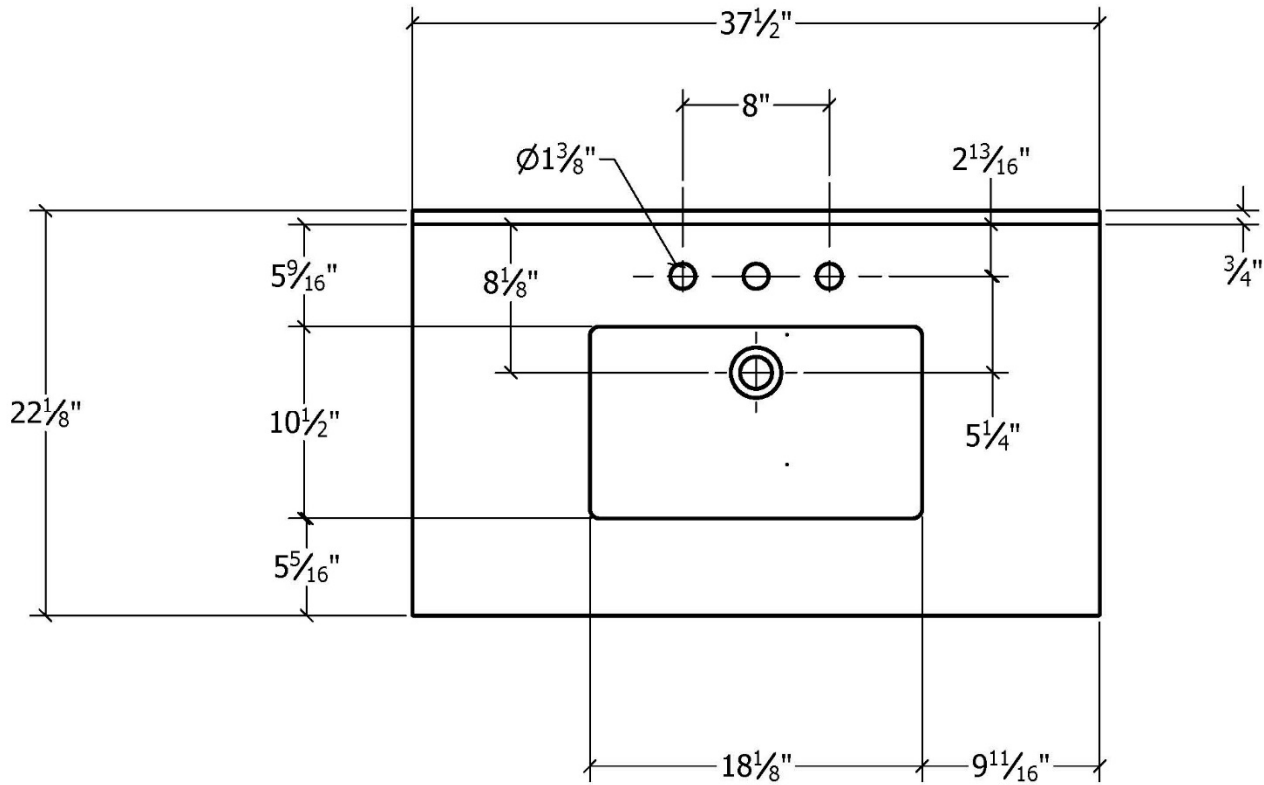


BACK PLUMBING ACCESS CUTOUTS

Back is ³/₄" thick plywood

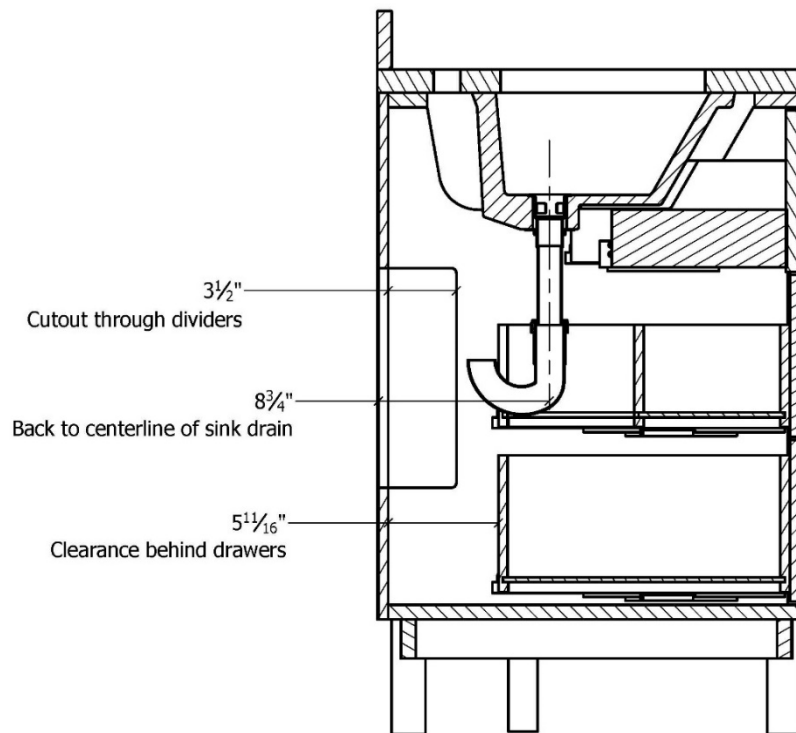
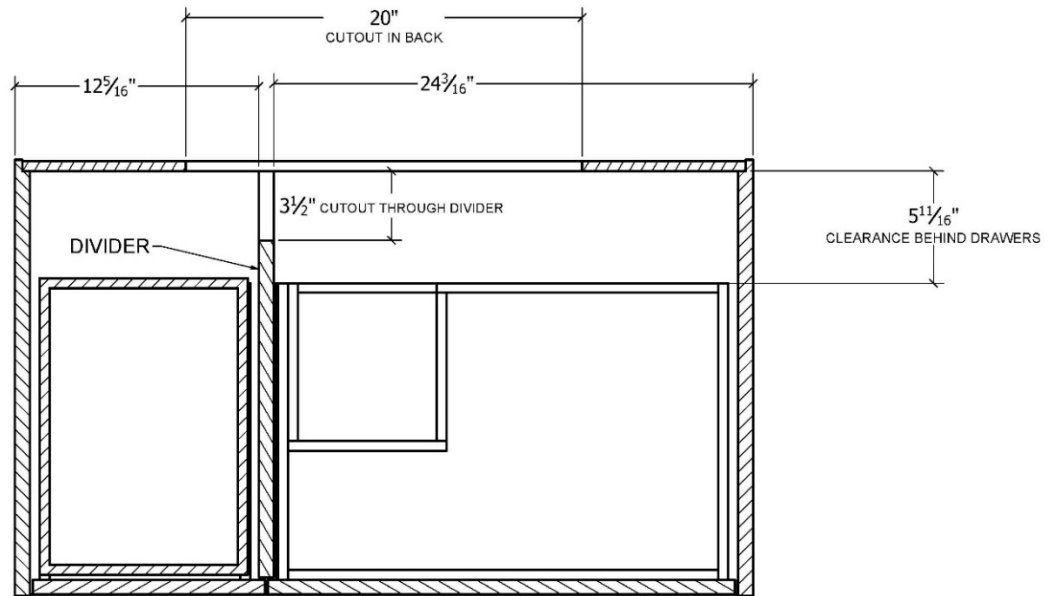


MARBLE TOP - SINK AND FAUCET CUTOUTS



CONNECT FAUCETS AND PLUMBING

Keep these clearances in mind when routing plumbing so drawer movement will not be restricted

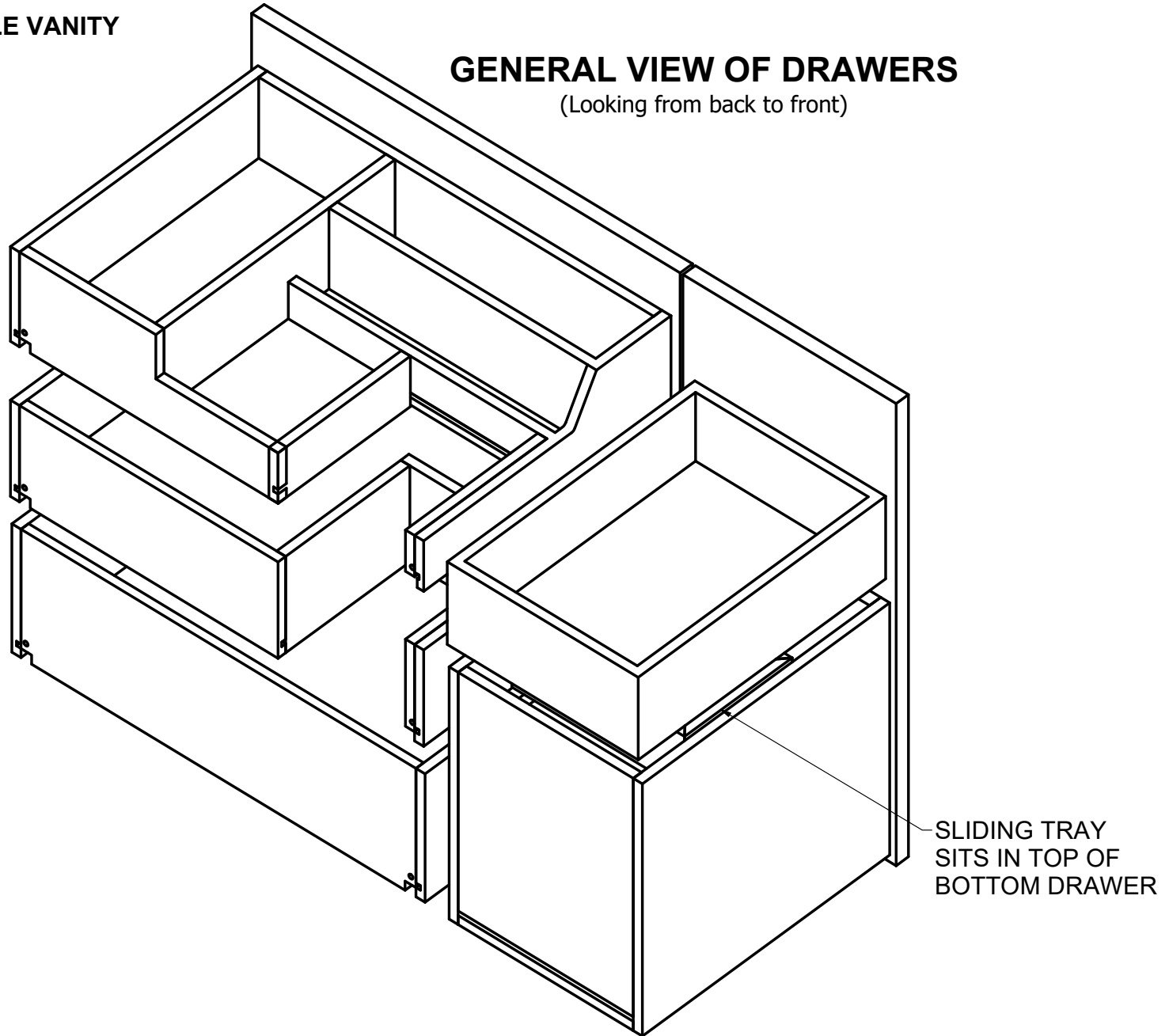


REJUVENATION

WARRENTON SINGLE VANITY

GENERAL VIEW OF DRAWERS

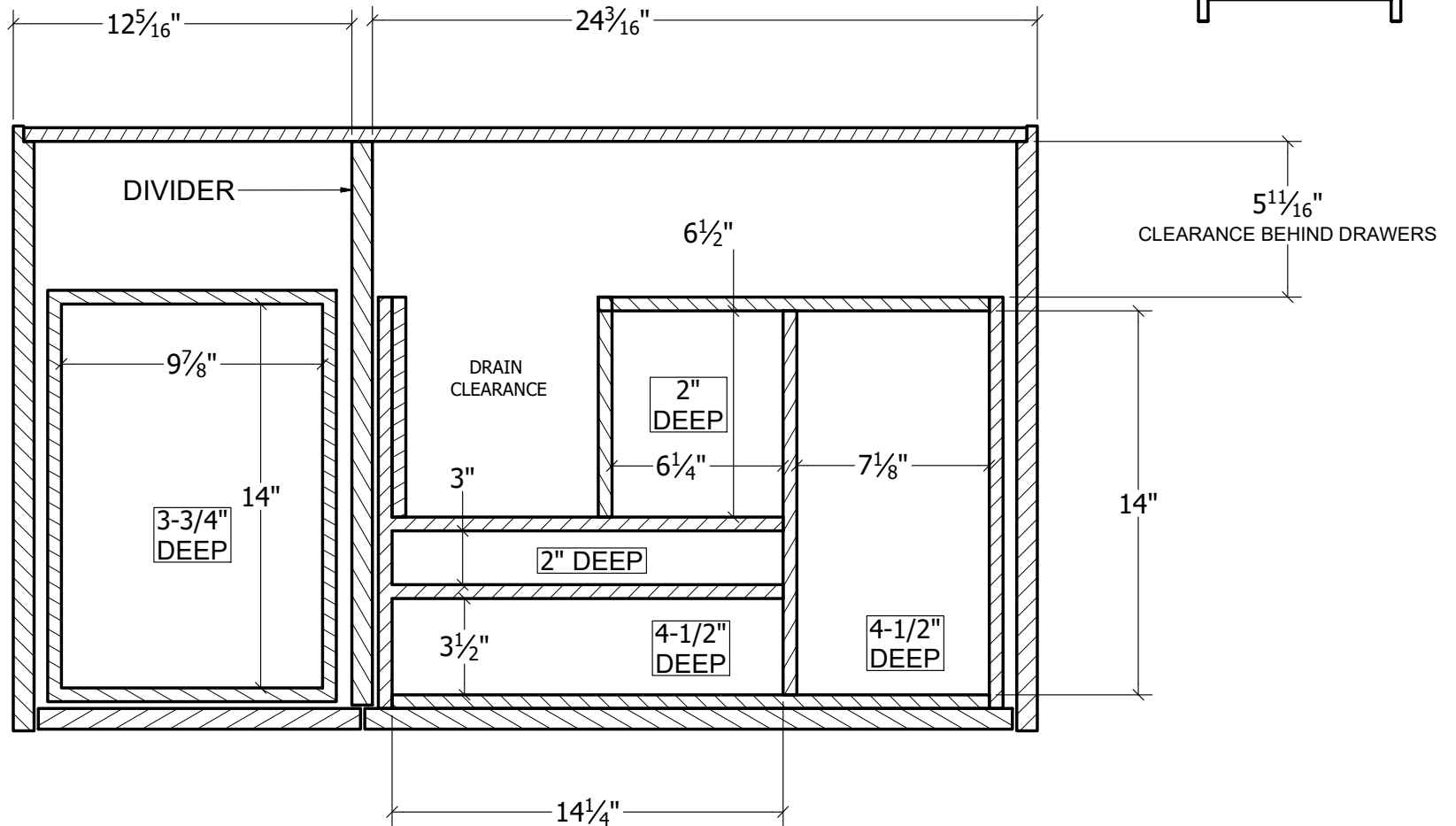
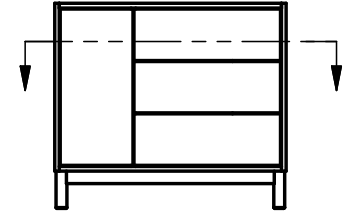
(Looking from back to front)



REJUVENATION

WARRENTON SINGLE VANITY

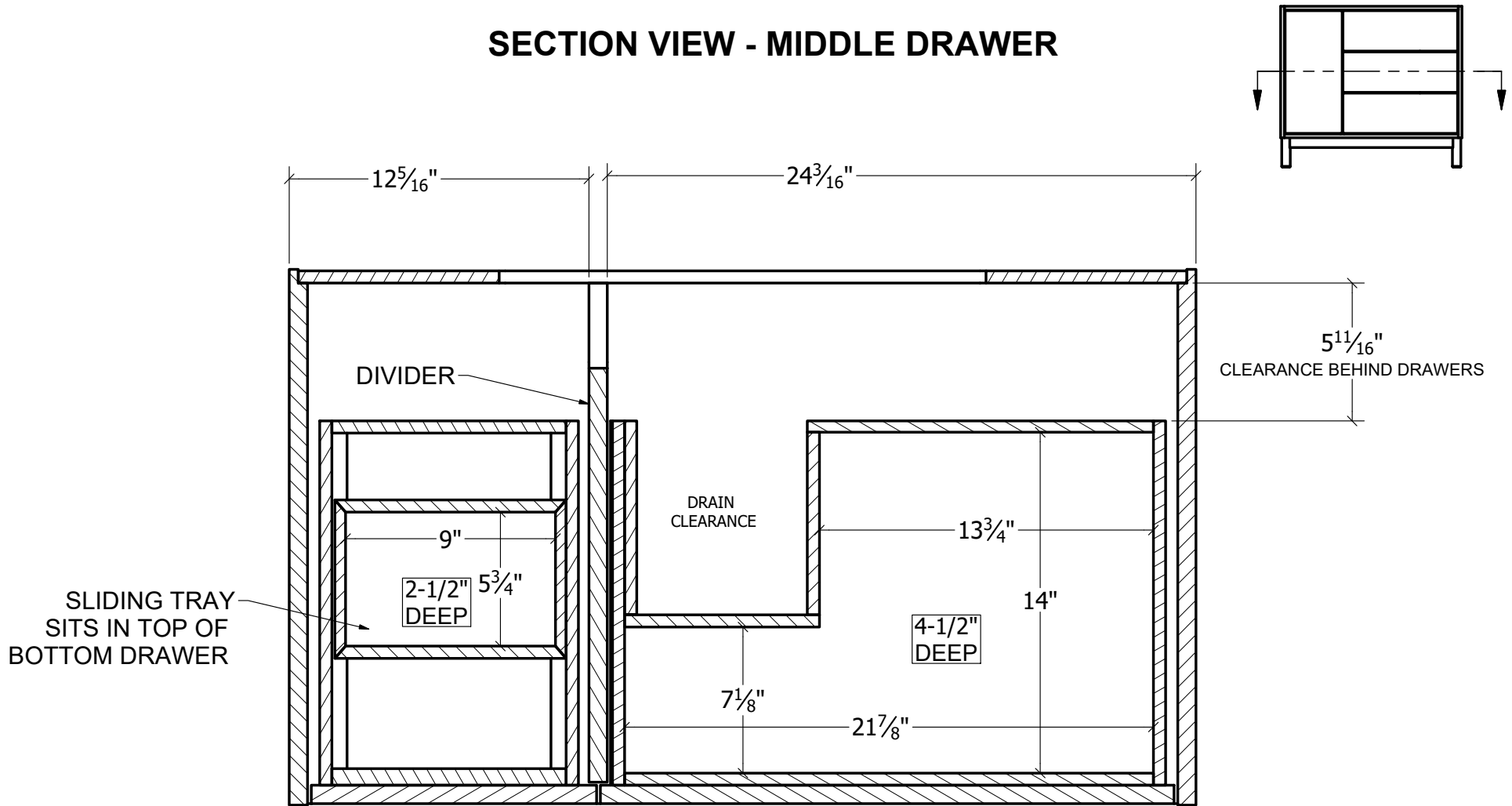
SECTION VIEW - TOP DRAWER



REJUVENATION

WARRENTON SINGLE VANITY

SECTION VIEW - MIDDLE DRAWER



REJUVENATION

WARRENTON SINGLE VANITY

SECTION VIEW - LOWER DRAWER

