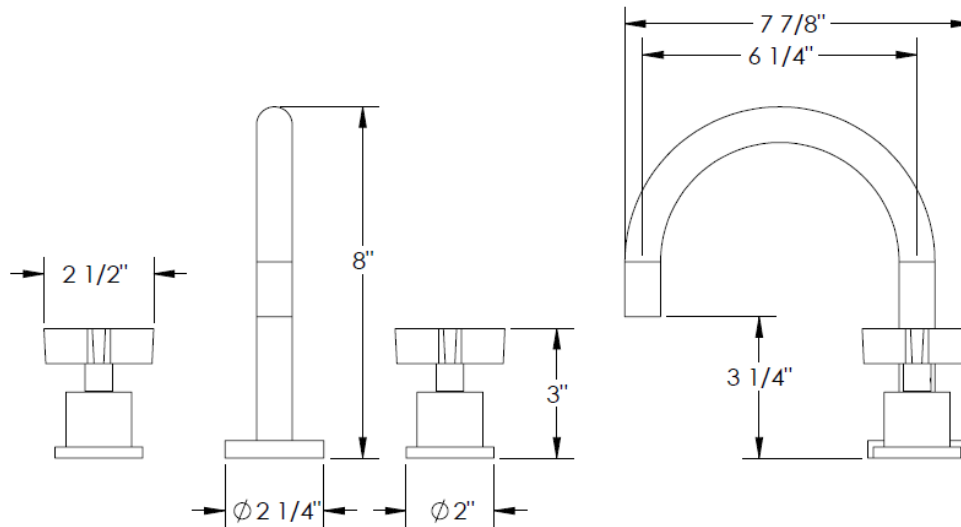


**FEATURES**

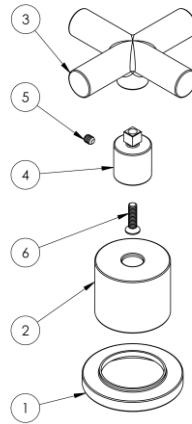
- ¼ turn washerless ceramic disc valve cartridges
- Flexible hose connection for 8" to 16" spread installations
- Flow rate 1.2 gpm (4.5 lpm) maximum flow rate
- Solid brass construction
- Listed by IAPMO, CSA, NSF, and other municipalities
- Warranty:
  - Limited lifetime warranty (residential use)
  - One year (commercial use)
- Shipping weight (lbs.) 10
- Shipping dimensions (in.): 29x12x4



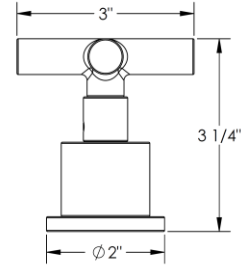
ITEM NO.	PART NUMBER	QTY.
1	22-2-SPOUT	1
2	22-2-SPT-BASE-GSKT	2
3	142-LOCK-NUT	2
5	142-TEE-GSKT	2
6	142-TEE	2
7	142-HRS-SHOE-WSHR	2
8	22-2-AERTR-SHLL	1
10	NEOPERL PCA PL TT	1
12	AERTR-GSKT	1
13	142-LOCK-NUT	2
14H/14C	SS-502 VALVE BODY	2
15H/15C	SS-502-CARTRIDGE	2
16	L4-TOP-LOCK-NUT	2
17	502 FLEX HOSE	2

**HANDLE TRIMS**

CODE: CLSX



ITEM NO.	PART NUMBER	QTY.
1	CL14-ESC-RING	1
2	CL14SM-ESC	1
3	CL15-CRSS-HNDL	1
4	CL15-POST	1
5	SSCUPSKT 0.164-32x0.1875-HX-S	1
6	CR-FHMS 0.164-32x0.625x0.625-S	1



**IMPORTANT INSTALLATION INFORMATION**

- USE TEFLON TAPE OR PIPE SEALANT FOR THREADED CONNECTIONS
- DO NOT USE PLUMBER'S PUTTY ON ANY OF THE BRASS COMPONENTS  
This will cause the finish to tarnish and void the warranty. A non-corrosive Alkoxy Silicone is recommended.
- DURING SWEATING OF LINES DO NOT OVERHEAT CASTING  
Overheating may cause damage to internal mechanism
- COPPER ADAPTORS MAY BE REQUIRED TO COMPLETE YOUR INSTALLATION

**For technical support, please call 888-401-1900**

Rev. 1/1