

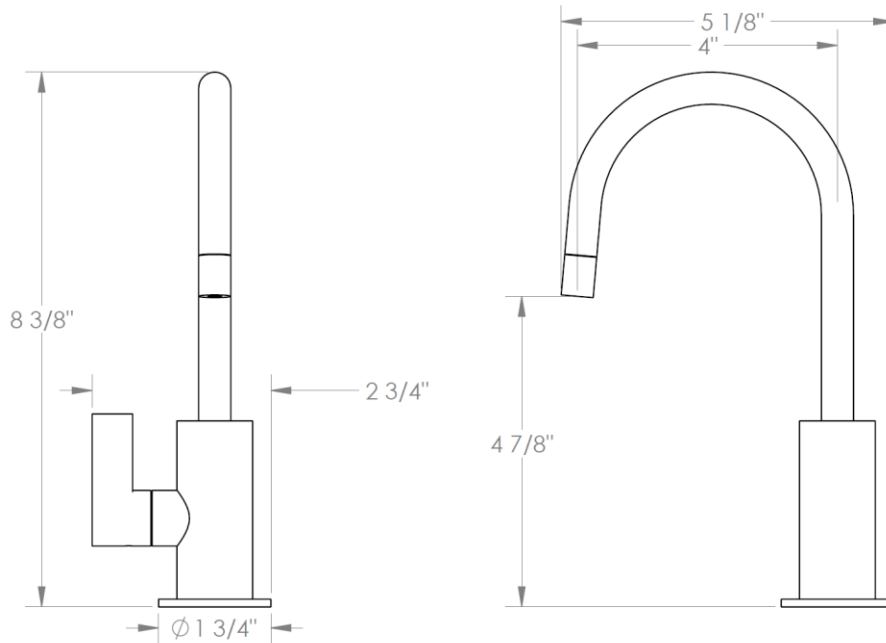
REJUVENATION

www.Rejuvenation.com

West Slope

Gooseneck Hot Water Dispenser

Includes: K-IHHT Instant Hot Heating Tank



Meets the applicable requirements of ASME A112.18.1-2005/CSA B125.1-05, entitled "Plumbing Supply Fittings".

REJUVENATION®



K-IHHT Instant Hot Heating Tank

5/8 Gallon Stainless Steel Tank

Max Temperature: 190° ±5° F (Temperature Is Adjustable)

Heats Up to 60 Cup of Water Per Hour

Has Indicator Light and Sensor Preventing Dry Start-Up

RO Filter Compatible

Electrical Specifications: 120 VAC, 60 Hz, 1300 Watts

10.83 Amps - Connect to 15 or 20 Amp Circuit

Includes Mounting Bracket

Professional Installation Required



Watermark Designs reserves the right to make revisions without notice to produce specifications. All product dimensions are nominal.

