

REJUVENATION®

West Slope Towel Bar

CALIFORNIA PROPOSITION 65 WARNING: This product contains brass hardware components which contain lead, a heavy metal known by the State of California to cause cancer, birth defects, or other reproductive harm.

PARTS INCLUDED:

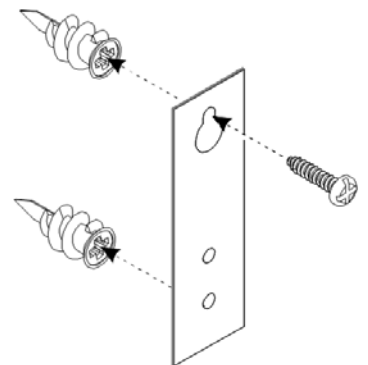
Towel Bar Set	1 pc		
Phillips Screws	2 pcs	Drywall Anchors	4 pcs
Slotted head Screws	2 pcs	Paper Template	2 pcs

MOUNTING INSTRUCTIONS FOR TYPICAL DRYWALL APPLICATIONS

Note: Consult your local hardware store for proper mounting to other wall materials.

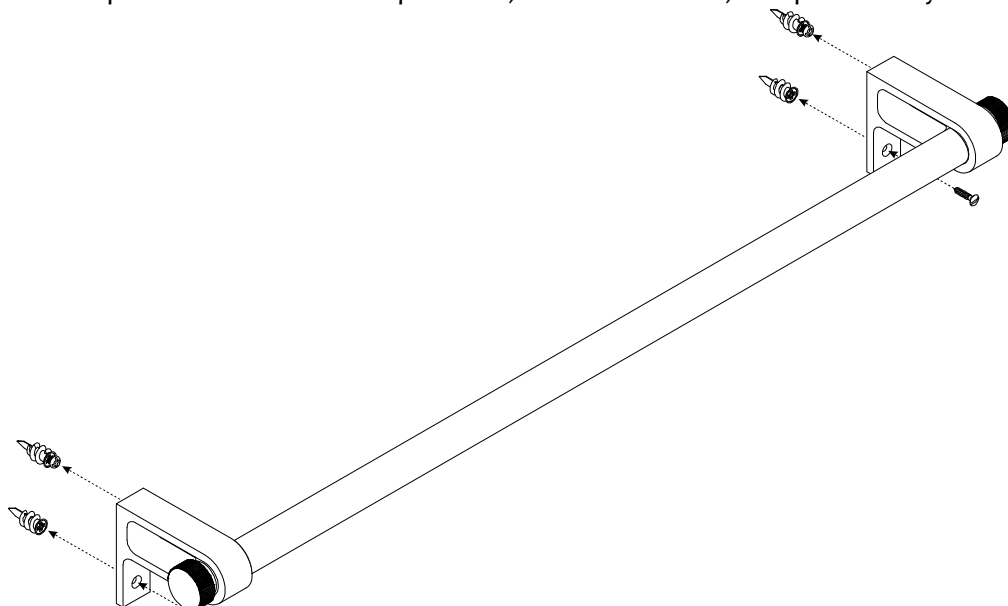
Tools Required: Phillips and slotted screwdriver, Pencil, Level, Tape measure.

1. Position the towel bar in desired location on wall and use a level to ensure the bar is level.
2. Using a pencil, mark the wall along the top of each bracket of towel bar. Then set the towel bar aside.
3. Position the paper template vertically on the wall aligning with the mark of step 2. Mark the locations of the drywall anchors as shown (note: use the template hole marked Towel Bar and TP holder for the lower anchor). Remove the template.
4. Using a Phillips head screwdriver, pierce the tip of the anchor into the wall. *Do pound the anchors into the wall, they are designed to bore into the wall like a screw.* Turn clockwise until the anchor is flush with the wall.
5. Once both sets of anchors are in place, insert a Phillips screw into each upper anchor. Turn the Phillips screw clockwise, using the template as a depth guide until the screw head is about 1/6 inch* from the wall. **slightly loosen or tighten the screw to let the bracket fits snugly against the wall**
6. Remove the template and hang the towel bar on the protruded screws. Inset a slotted head screw through the bottom screw hole of each bracket and into the lower anchors. Turn the screws clockwise just until you feel resistance.



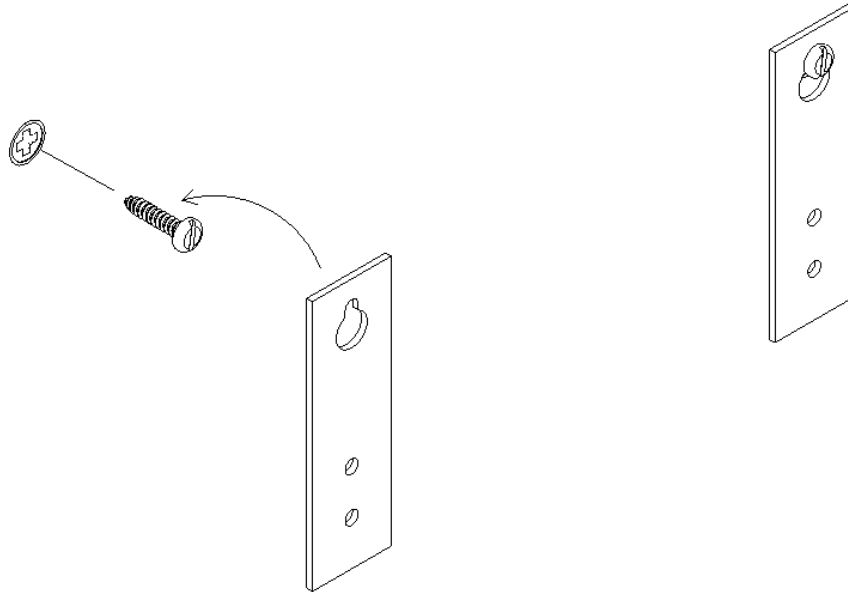
CLEANING INSTRUCTIONS

To maintain and protect the luster of all products, clean with a soft, damp cloth only.

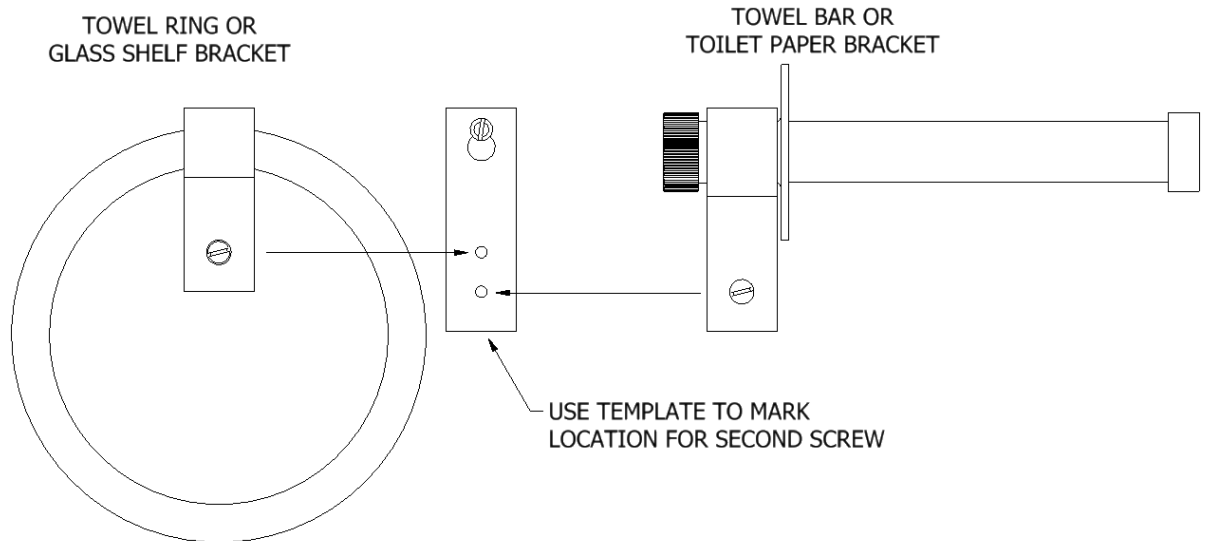


How to use shim/template piece:

1. Install the wall bracket upper screw into wall first. Hang template on screw and tighten screw until snug.



2. Mark location for second screw. Note that the correct screw location depends on type of accessory being mounted. TOWEL RING and GLASS SHELF use the upper hole; TOWEL BAR and TOILET PAPER HOLDER use the lower hole.



3. Remove template from screw and mount bracket to wall. For TOWEL BAR or GLASS SHELF items, use the template with a level to mark screw positions for the second bracket.

