

Suspended Rod Ball End

skill level | handy person

installation instructions

Three People are recommended to complete this installation.

1. Complete center fixture installation according to "**Screw Collar Canopy Fixtures Installation Instructions**" and assemble the shade per "**Assembly Instruction Three Piece Round Glass Shade**".
2. In preparation, locate the (3) **rods** with one **ball end** pre-attached. To hang them from the **canopy plate**, you will need to temporarily un-screw the **collar** holding the canopy, and lower the canopy enough to pass the ball between ceiling and plate.
3. Slide the rod through one of the **slots** to the **hole**. The ball end should seat in the large hole of the canopy plate. (see Fig. A) Repeat for remaining (2) rods.
4. Re-tighten the **collar**, pushing the canopy back to the ceiling.

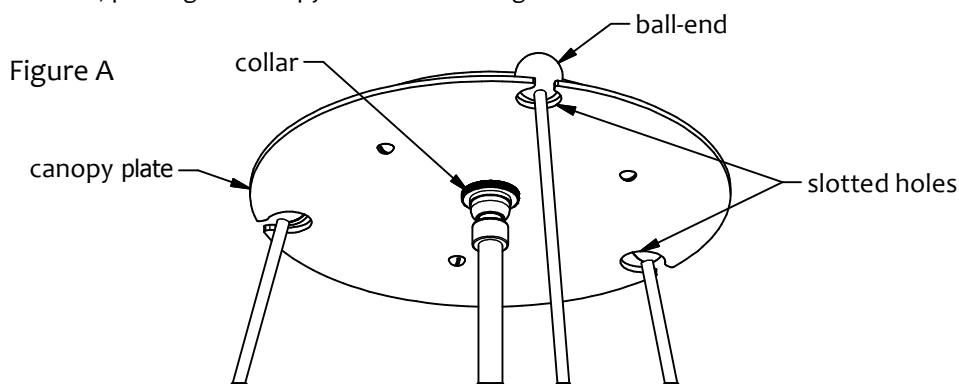
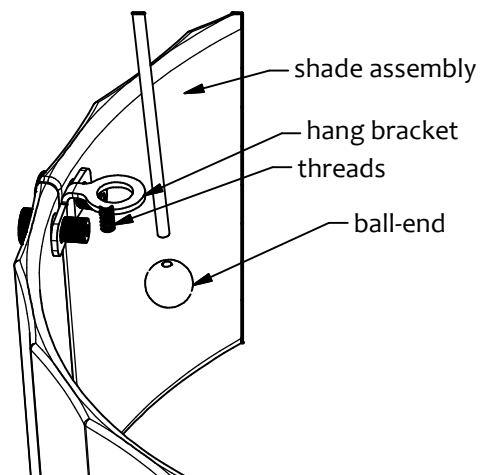


Figure B

5. Locate the remaining (3) ball ends (not attached).
6. It is now time to lift and hang the shade assembly. With (2) people lift the **shade assembly** under, then up and around the fixture sockets.
7. The third person will position shade and insert a **rod end** through a **hang bracket** of the **shade assembly** and screw on the second **ball-end** (see Fig. B). Repeat for all (3) rods at each hang bracket. Screw ball-ends on until tight. There should be no exposed **threads**.
8. Ensure the ball-ends are seated in the hang brackets and the slotted holes of the canopy as you slowly and gently allow the shade assembly to hang. You can expect the shade panels to settle slightly, as it hangs.



Installation complete!

REJUVENATION

2550 N.W. Nicolai Street, Portland Oregon 97210 Customer Service: 888-401-1900 rejuvenation.com