

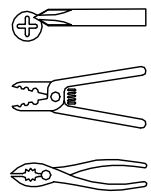
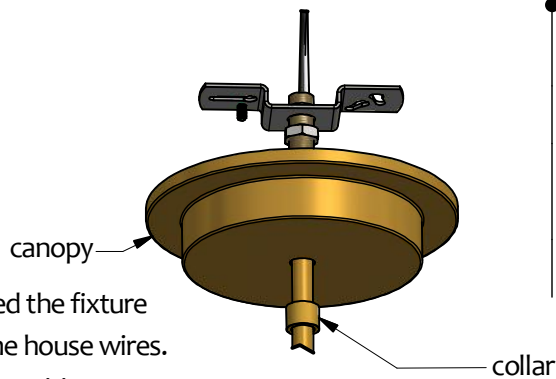
Yeon Pendants

skill level ● basic electrician

● toolbox

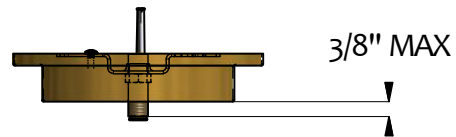
installation instructions

1. Loosen collar and carefully slide canopy and collar down the center rod.

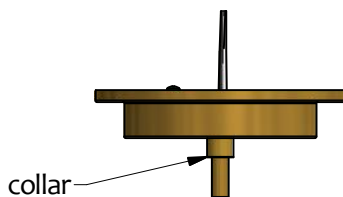
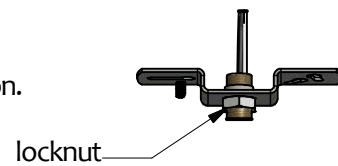


2. Use the slotted holes in the cross bar to attached the fixture to the box, and connect the fixture wires to the house wires. Make connections as appropriate for your house wiring. **See reverse side of instructions for important wiring information**

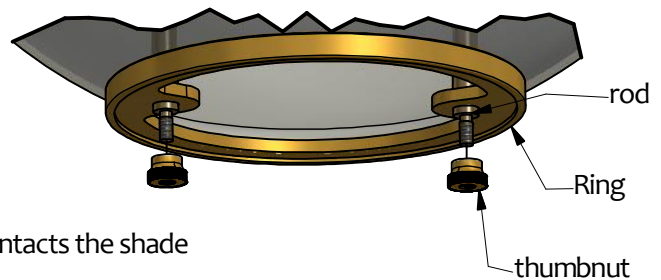
3. Check fit of canopy by placing it snug against ceiling. Adjust depth of assembly so that threaded fitting extends beyond bottom of canopy by $\frac{1}{4}'' - \frac{3}{8}''$.



4. Tighten jamb nut upward against crossbar to lock nipple assembly in position.
5. Slide canopy up against ceiling and secure with collar.



6. Install the shade over the rod onto the fixture, making sure to seat the shade into the base ring.



7. Slide the ring over the two rods. The ring is designed to slip over the rods until it contacts the shade.
8. Install the thumbnuts securely by hand until the ring is snug and the shade is firmly held in place.

Complete!

REJUVENATION®