

# REJUVENATION

## Tubelatch Knob/Knob or Lever/Lever Entry Set

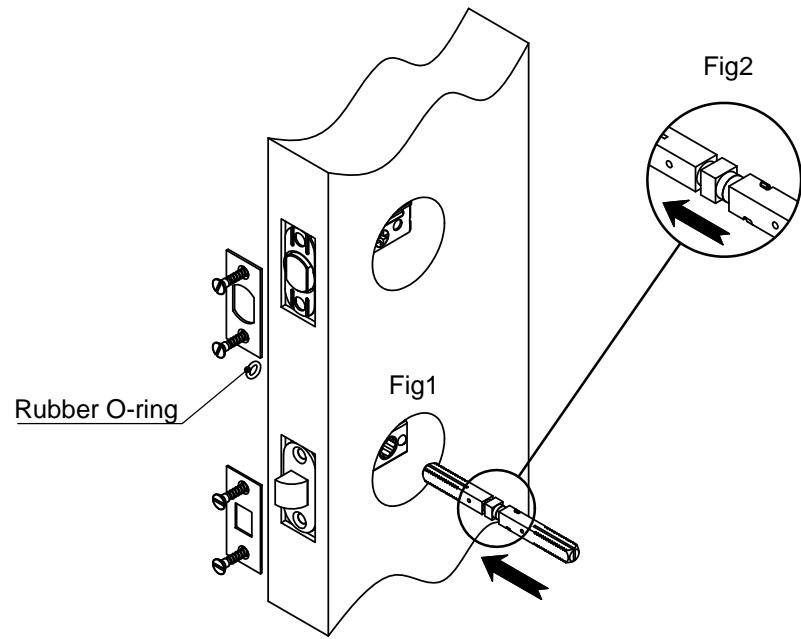
**CALIFORNIA PROPOSITION 65 WARNING:** This product contains brass hardware components which contain lead, a heavy metal known by the State of California to cause cancer, birth defects, or other reproductive harm.

Installation note: Power tools are not to be used when installing

### Step 1

Installing the Latches

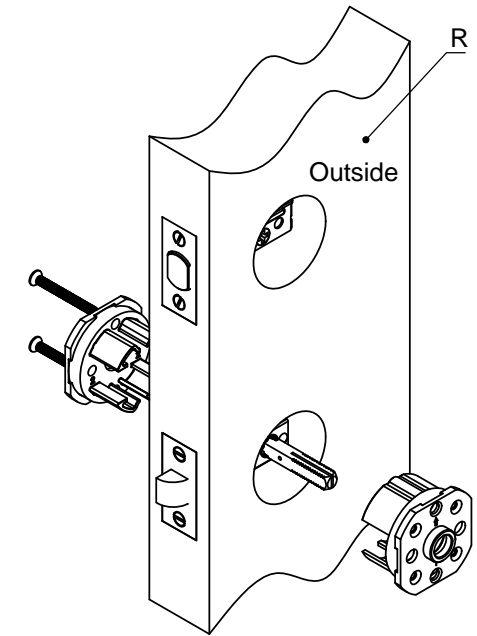
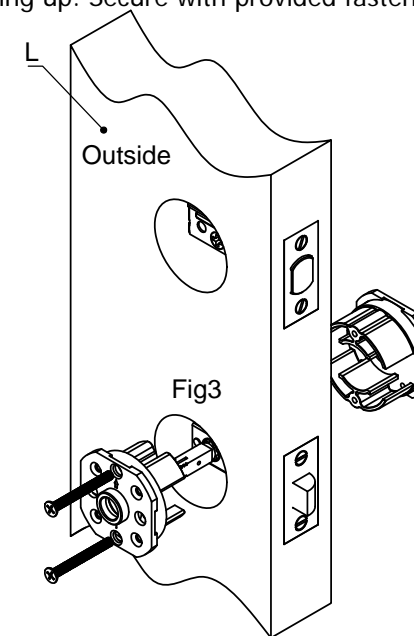
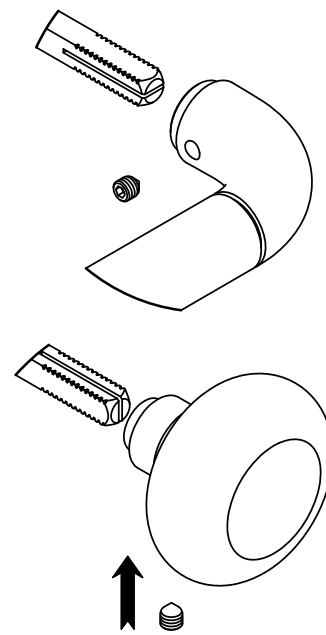
Install latches as shown in Fig 1, install spindle until it stops. When spindle is in position install rubber O-ring on to spindle Fig 2



### Step 2

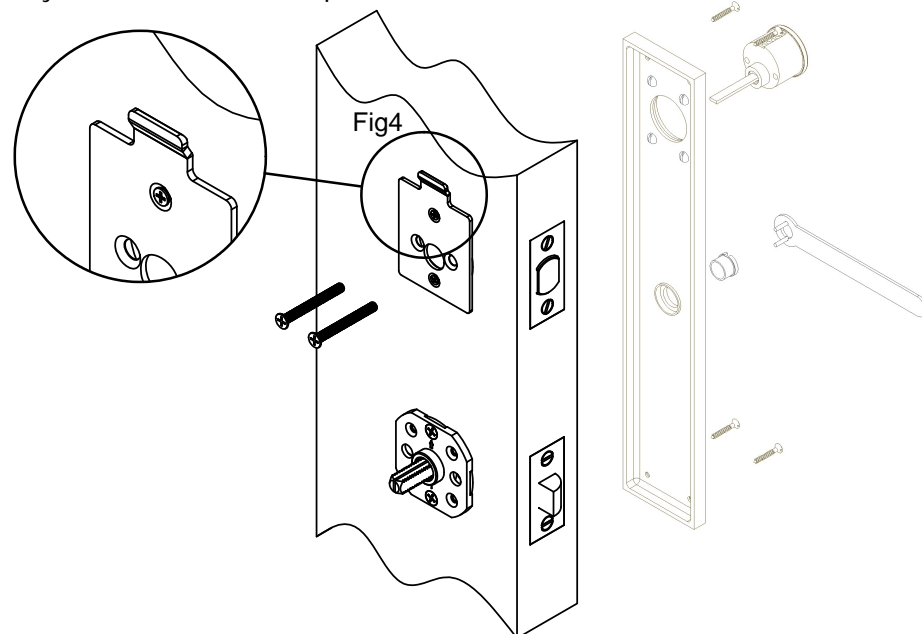
Installing the Brackets.

Note: The bracket is designed to allow the knob to turn in one direction only. There is a male and female half. Make sure that the female half is installed as illustrated below Fig 3. Make sure arrow is pointing up. Secure with provided fasteners.



### Step 3

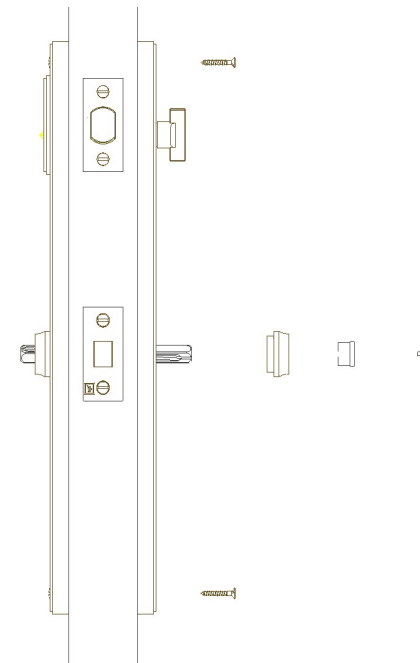
Install the exterior trim using the supplied castle nut and castle nut wrench and screws. Secure the cylinder and plate in Fig 4 using the provided fasteners and interior trim mounting plate (note: fasteners should be snug, but not over-tight). Make sure the tail piece of the cylinder is in the vertical position.



### Step 4

Installing the interior plate. Install plate as shown in Fig 5.

With the interior plate, position it over the trim mounting bracket and align the spindle hole over the spindle. Secure with supplied castle nut and wrench and screws.



### Step 5

Install the doorknobs or levers by sliding onto the spindle. Secure knob by tightening the set screws. Align knob on spindle so that set screws seat in grooves in spindle. Note: The doorknob should fit closely to the collar on the doorplate but with a small amount of play so that the doorknob does not bind when turned.

