

# Warehouse Pendant

skill level • basic electrician

## installation instructions

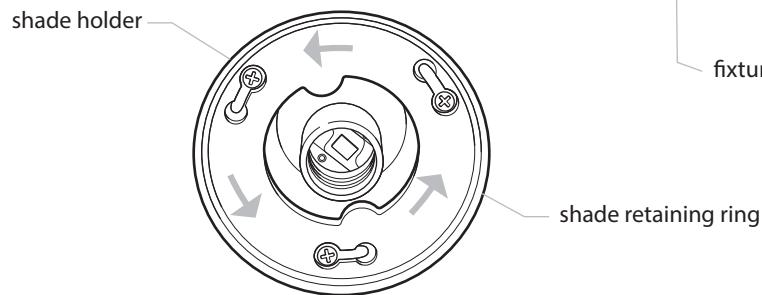
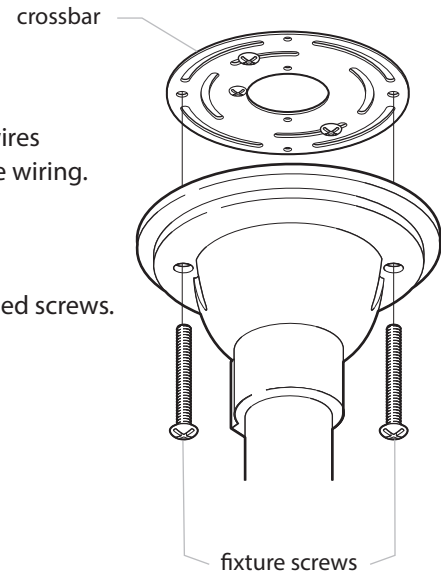
• toolbox



### Fixture Installation

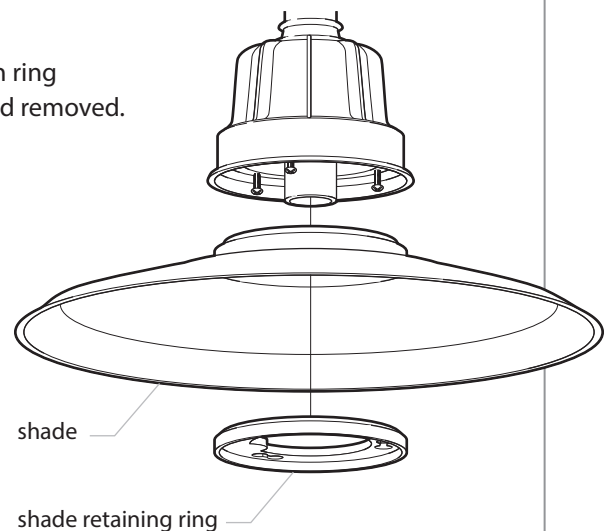
This fixture is designed to mount directly to a junction box, but in some installations use of the crossbar may be required.

1. Mount the crossbar to the junction box.
2. Holding the fixture close to the electrical box, connect the fixture wires to the house wires. Make connections as appropriate for your house wiring. See Important Information on reverse side.
3. Secure the canopy to junction box or crossbar using the two provided screws.



### Shade Installation

4. Loosen three screws that secure the shade retaining ring and turn ring counter-clockwise until it can be slipped over the screw heads and removed.
5. Position shade onto the underside of the shade holder.
6. Place the retaining ring into the underside of the shade and locate slotted holes over three screws.
7. Rotate ring clockwise until the screw heads capture the ring.
8. Secure ring by tightening the three screws.



**REJUVENATION®**