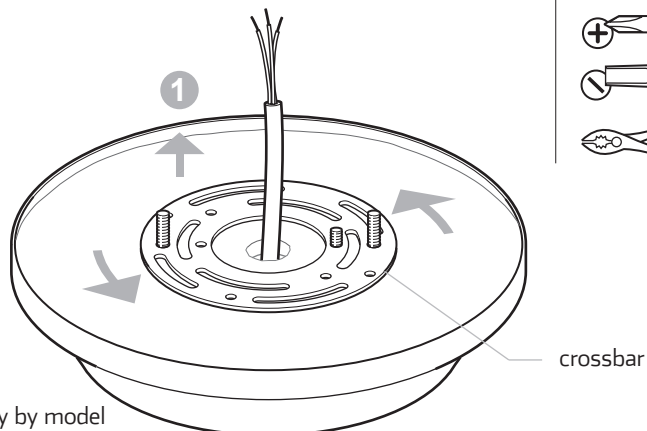


Twist-Mount Fixtures

skill level • basic electrician

installation instructions

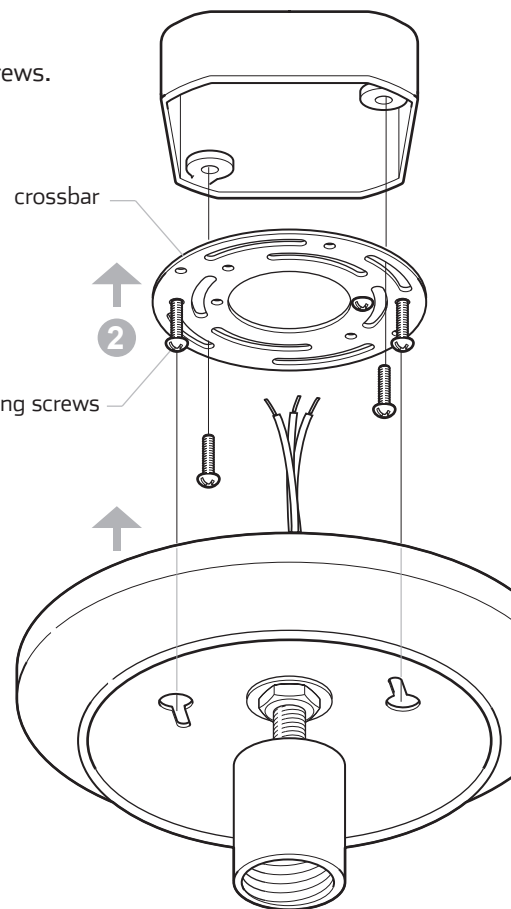
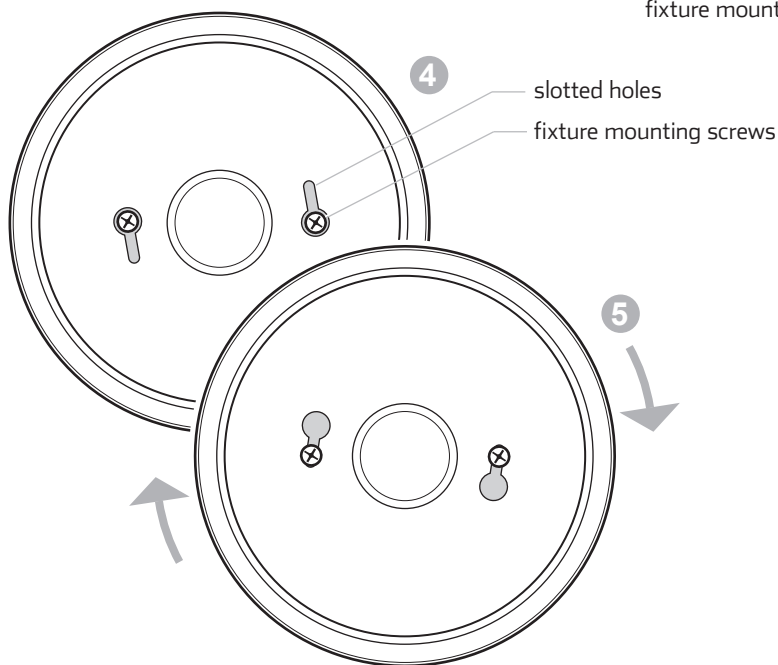
1. Remove crossbar from top of fixture. Just rotate so that fixture mounting screws clear slotted holes, then lift off.
2. Attach crossbar to electrical box using screws provided with the electrical box.



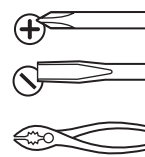
features of fixture vary by model

3. Make wiring connections in accordance with local electrical codes. See "Important Information" on reverse side.
4. Position fixture so that slotted holes align with fixture mounting screws.
5. Hold fixture snug against ceiling and rotate fixture clockwise to fully engage mounting screws into slotted holes.
6. Tighten fixture mounting screws to secure fixture.

Proceed with shade assembly to complete installation.



• toolbox



REJUVENATION®