

Warehouse Wall Fixture

skill level • basic electrician

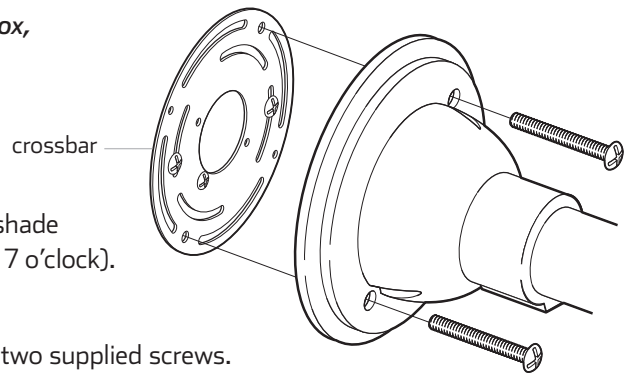
installation instructions

• toolbox



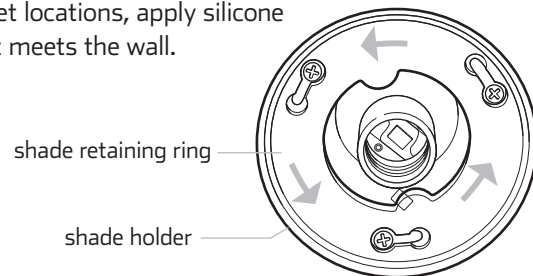
Fixture Installation

This fixture is designed to mount directly to a junction box, but in many installations use of the crossbar may be required to achieve a perfectly vertical alignment.



1. Mount the crossbar to the junction box, orienting the shade mounting holes at 45° diagonal (roughly 2 o'clock and 7 o'clock).
2. To achieve perfect alignment, do a test installation. Prior to wiring, assemble fixture to crossbar using the two supplied screws. Check for alignment. If fixture requires rotation, remove it, loosen crossbar screws and rotate crossbar as needed. Repeat test installation and crossbar adjustment until correct. After successful alignment, remove fixture from wall and tightly secure crossbar.
3. Holding the fixture close to the electrical box, connect the fixture wires to the house wires. Make connections as appropriate for your house wiring. See **Important Information** on reverse side.

4. This fixture is suitable for indoor or outdoor use. For wet locations, apply silicone sealant to perimeter of the back of the canopy where it meets the wall.
5. Secure the canopy to the junction box or crossbar using the two provided screws.

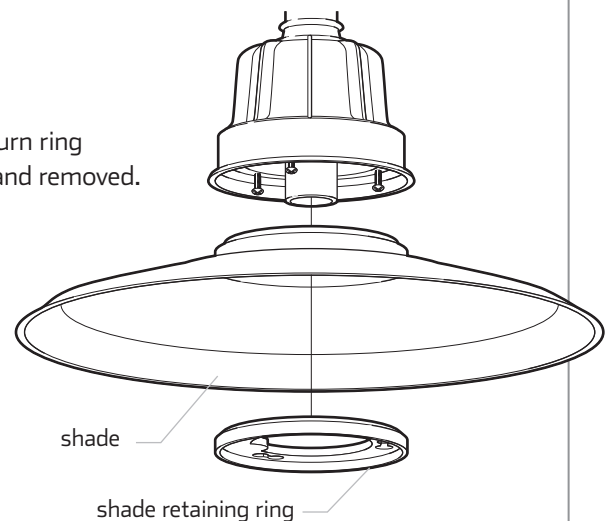


Install Optional Support Features

If purchased, refer to installation instructions provided with those components.

Shade Installation

6. Loosen three screws that secure the shade retaining ring and turn ring counter-clockwise until it can be slipped over the screw heads and removed.
7. Position shade onto the underside of the shade holder.
8. Place the retaining ring into the underside of the shade and locate slotted holes over three screws.
9. Rotate ring clockwise until the screw heads capture the ring.
10. Secure ring by tightening the three screws.



REJUVENATION®

2550 N.W. Nicolai Street, Portland Oregon 97210 Customer Service: 888 401-1900 rejuvenation.com