

Installation sheet side canopy screw mount

skill level

• basic electrician

installation instructions

For a safe installation make sure that the electrical box is securely mounted to a structural member of the building.

1. Attach **crossbar** to electrical box using screws supplied with the box.

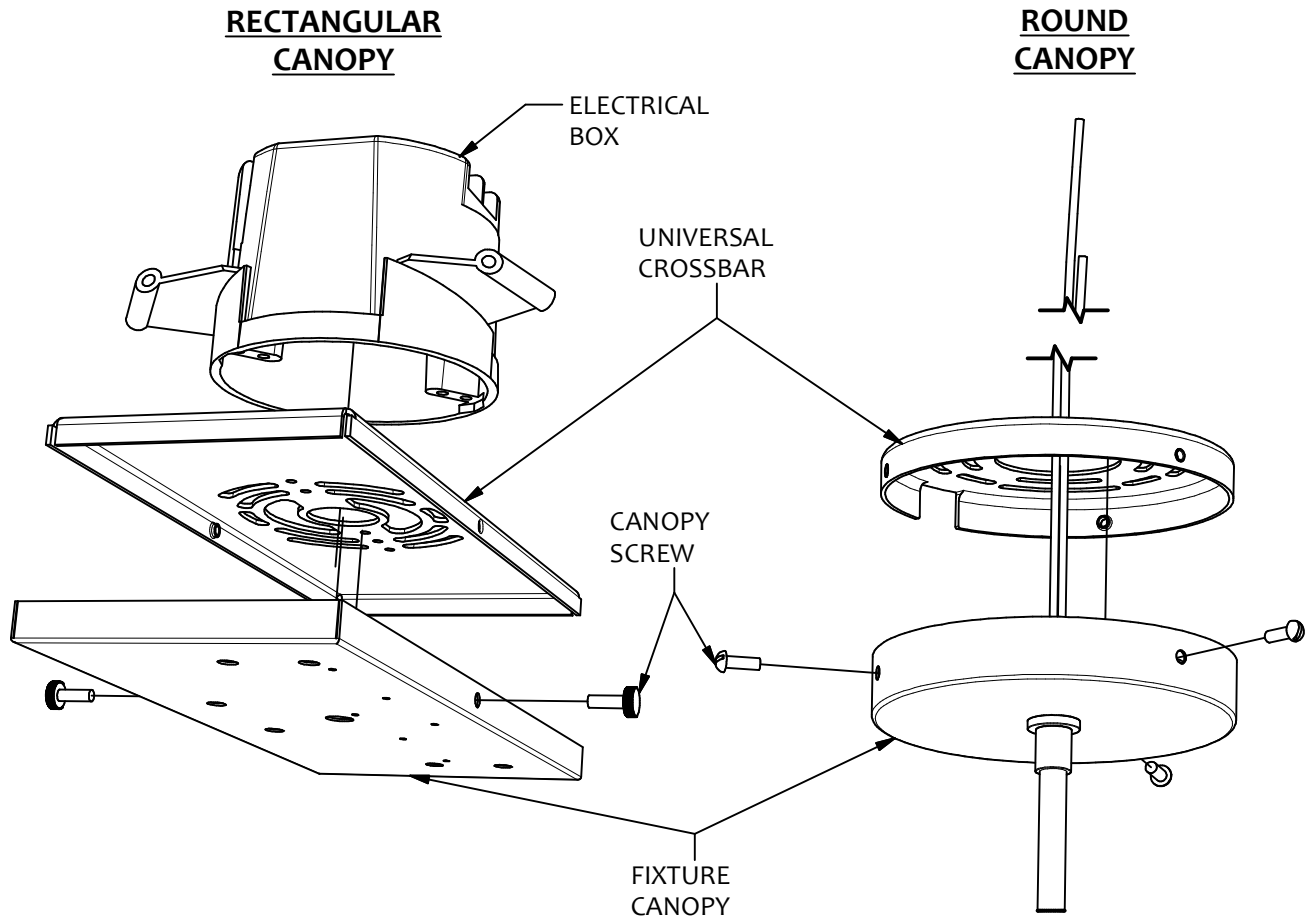
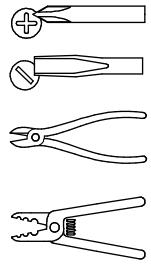
These fixtures are supplied with a unique crossbar. Most have curved slots in **crossbar** to allow fixtures to be squared to the room, regardless of position of screw holes in the electrical box.

2. Make wiring connections in accordance with local electrical codes. See "Important Information" on reverse side.

3. Using all **canopy screws** supplied with the fixture, attach fixture to **crossbar** through holes in **canopy** sides.

Complete!

• toolbox



REJUVENATION®