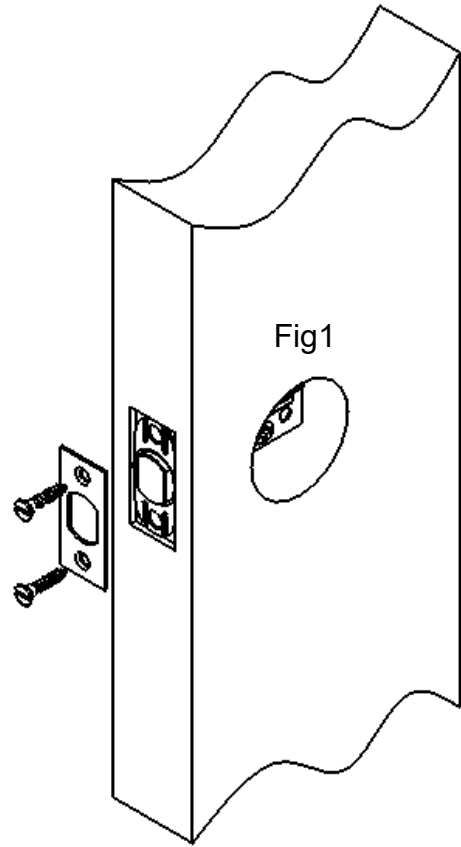


REJUVENATION®

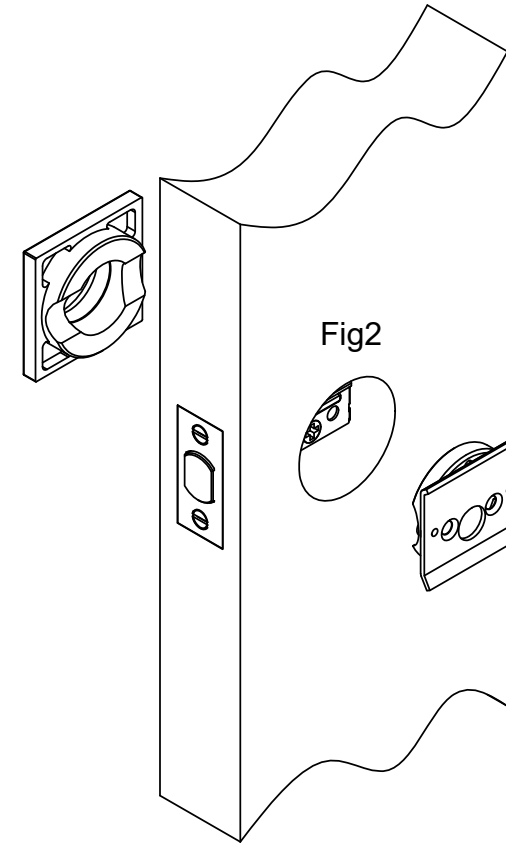
Entry Plate - Installation Instruction

Warning: Do not install with a power drill

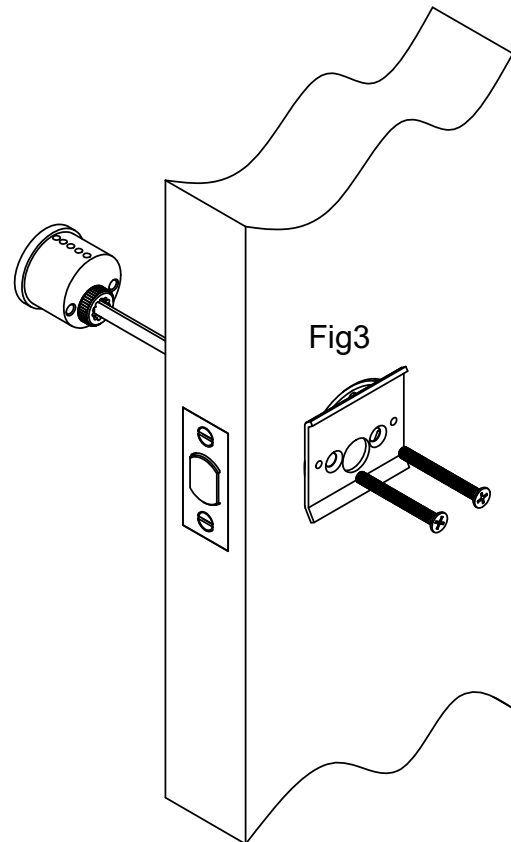
CALIFORNIA PROPOSITION 65 WARNING: This product contains brass hardware components which contain lead, a heavy metal known by the State of California to cause cancer, birth defects, or other reproductive harm.



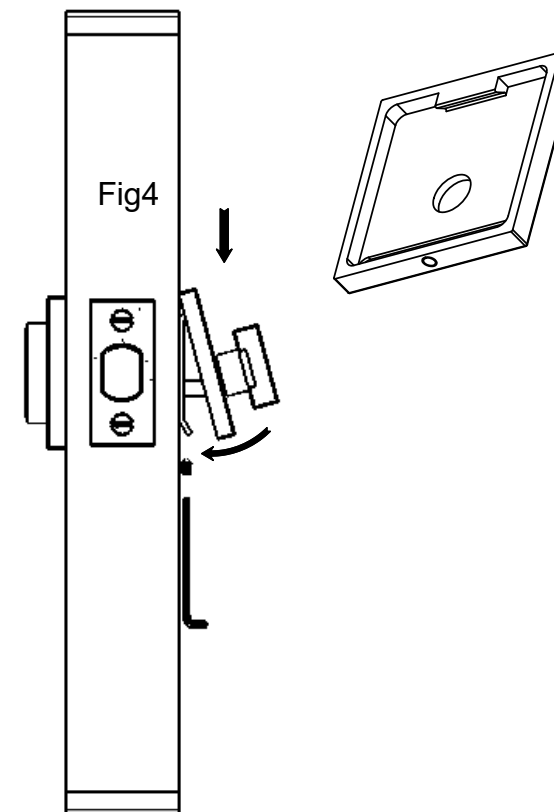
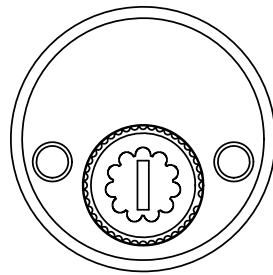
Step 1
Installing the latch bolt.
install bolt as seen in Fig 1



Step 2
Installing the exterior & Interior mounting plate.
Install plates as shown in Fig 2



Step 3
Installing the Cylinder
Install Cylinder as shown in Fig 3, make sure the tail piece
is in the vertical position. Secure with provided screws.



Step 4
Installing the Thumb Turn plate
Install the plate as shown in Fig 4, Secure
with provided set screw & wrench