

Pittock/ Tolson Wall Light Installation

skill level

• Basic Electrician

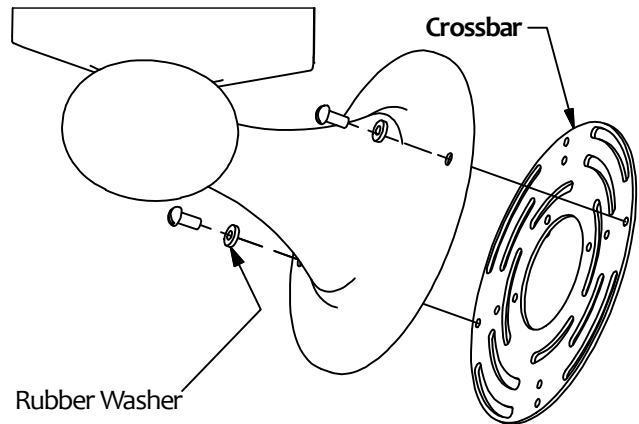
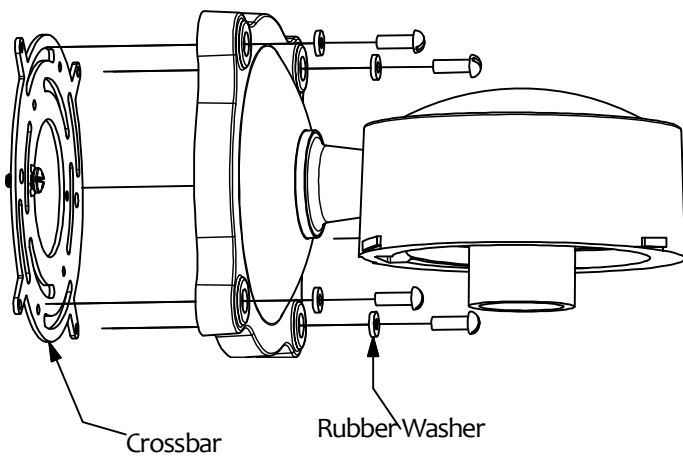
installation instructions

1. Mount the crossbar to the junction box.
2. Holding the fixture close to the electrical box, connect the fixture wires to the house wires.
Make connections as appropriate for your house wiring.

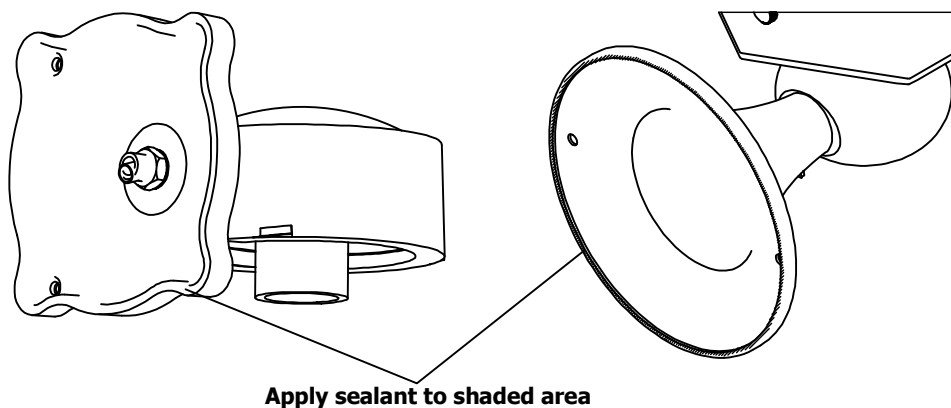
See reverse side of instructions for important wiring information

3. Secure the canopy to the junction box or crossbar using the provided screws. For outdoor use, use rubber washers provided.

• toolbox



4. This fixture is suitable for indoor or outdoor use. For wet locations, apply silicone sealant to perimeter of the back of the canopy where it meets the wall.



Complete!

REJUVENATION®

2550 N.W. Nicolai Street, Portland Oregon 97210 Customer Service: 888-401-1900 rejuvenation.com