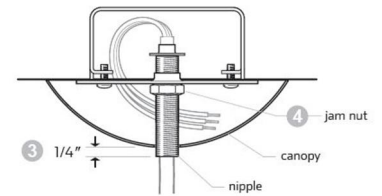
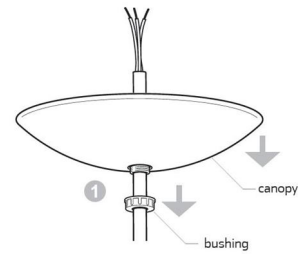
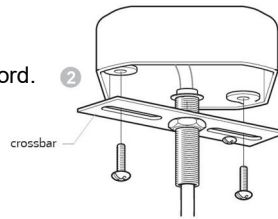


Anello Slip Canopy Pendants

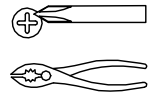
skill level ● Basic Electrician

installation instructions

1. Loosen bushing and slide canopy and bushing down cord.
2. Attach crossbar to electrical box.
3. Loosen jam nut and adjust depth of nipple so that it extends beyond bottom of canopy by 1/4".
4. Tighten jam nut upward against crossbar to lock nipple assembly in position.
5. Make wiring connection in accordance with local electrical codes.
6. Slide canopy up against ceiling and secure with bushing.



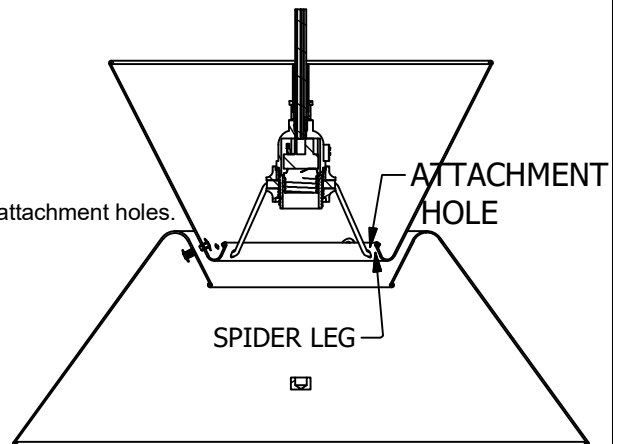
● toolbox



How to connect shade to spider

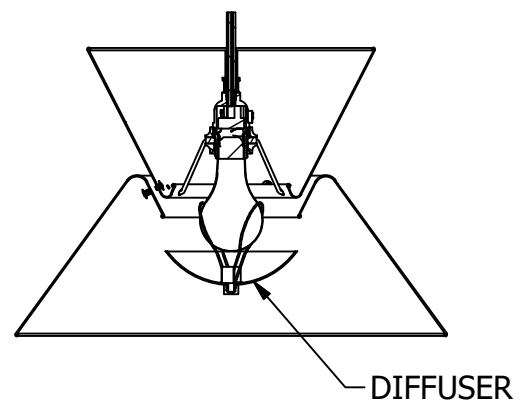
If your fixture came with spider pre-attached to shade, skip steps 7 & 8.

7. Position spider so that legs of spider are below attachment holes
8. Align legs of spider with attachment holes then slide or squeeze legs into attachment holes.

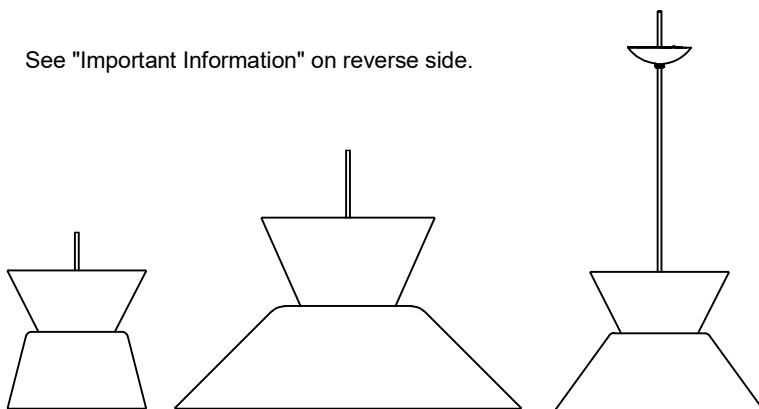


Words about diffuser

9. Your fixture is shipped with a curved diffuser to reflect light up. It is designed to work with a A21 shape bulb.



See "Important Information" on reverse side.



REJUVENATION

2550 N.W. Nicolai Street, Portland Oregon 97210 Customer Service: 888-401-1900 rejuvenation.com