

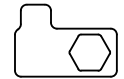
Macadam Pendant & Semi Flush

skill level • Basic Electrician

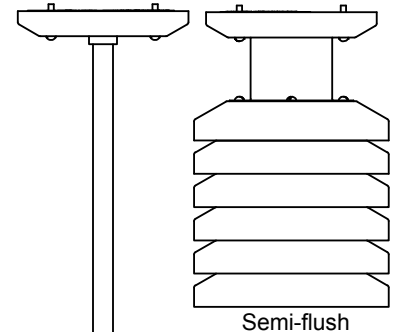
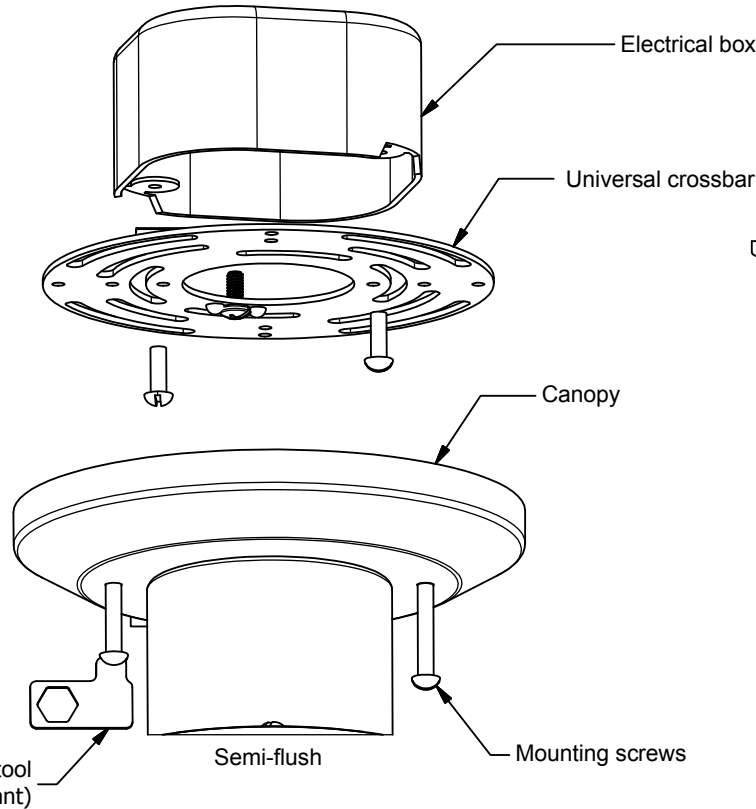
installation instructions

For a safe installation make sure that the electrical box is securely mounted to a structural member of the building.
This fixture is suitable for damp locations.

• toolbox



(Flat L tool)



Semi-flush

Pendant

1. Attach crossbar to electrical box using screws supplied with the electrical box. This fixture is supplied with a universal crossbar. Curved slots in universal crossbar allow fixture to be squared to the room, regardless of position of screw holes in electrical box.
2. Make wiring connections in accordance with local electrical codes.
See "Important Information" on reverse side.
3. Using the two screws supplied with the fixture, attach the fixture to the crossbar.
Use the "flat L tool" (provided) for a semi-flush fixture or a regular flat head screw driver for a pendant.

Complete!

REJUVENATION

2550 N.W. Nicolai Street, Portland Oregon 97210 Customer Service: 888-401-1900 rejuvenation.com