

# Installation Sheet Haleigh Pendants

skill level • basic electrician

installation instructions

## Fixture Assembly

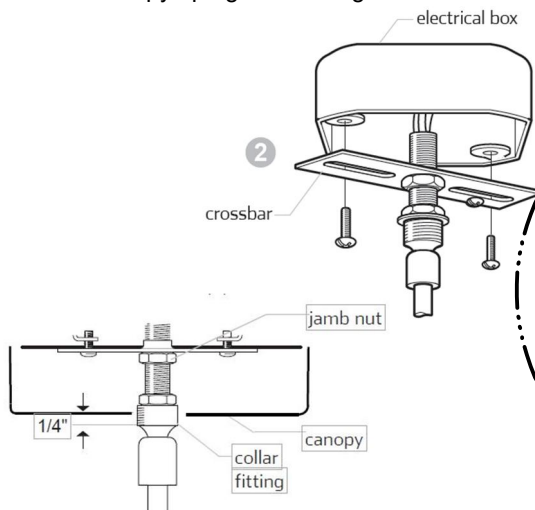
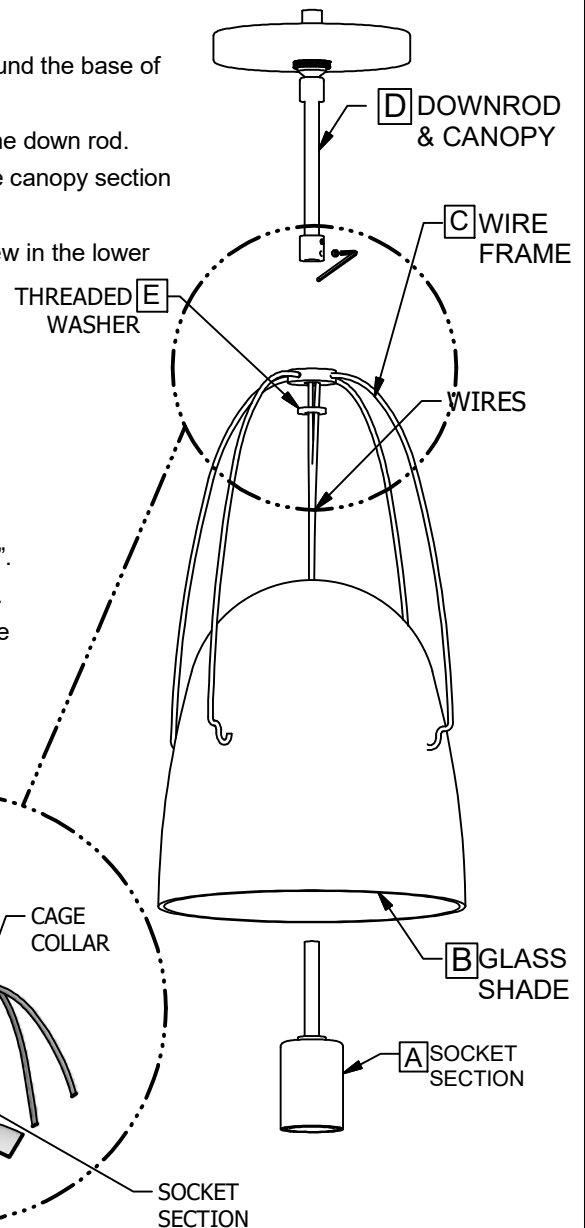
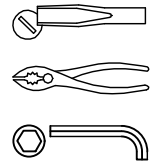
For Metal shade Haleighs proceed to step 5. The Shade arrives pre-attached to the cage and socket sections.

1. The fixture will arrive in 5 pieces; (A) the socket section with wires attached, (B) the glass shade (package separately), (C) the wire frame, (D) the canopy / downrod section and a small kit including (E) thread washer, (F) hex key wrench and (G) small #8-32 X 1.25L set screw.
2. Feed the wire through the top of the shade and put the threaded end of the socket section through the shade as well.
3. Thread the wires through the thread washer and thread the washer onto the socket section end.
4. Feed the wires through the cage collar and carefully hook the cage around the base of the shade.
5. The canopy section has a threaded coupler attached to the bottom of the down rod. Feed the black and white wires up through the downtube and screw the canopy section onto the thread end of the socket section. Do not let the wire twist.
6. Once the tube is fully screwed into the coupler, insert the lower set screw in the lower hole of the coupler and tighten both set screws with key wrench.

## Fixture Installation

1. Remove crossbar from assembly and attach crossbar to electrical box.
2. Loosen collar and carefully slide canopy and collar down rod.
3. Feed wires through center hole of crossbar.
4. Screw threaded pipe loosely into crossbar.
5. Check fit of canopy by placing it snug against ceiling. Adjust depth of assembly so that collar fitting extends beyond bottom of canopy by 1/4".
6. Tighten jamb nut upward against crossbar to lock assembly in position.
7. Make wiring connections in accordance with local electrical codes. See "Important Information" on reverse side.
8. Slide canopy up against ceiling and secure with collar.

• toolbox



REJUVENATION

2550 N.W. Nicolai Street, Portland Oregon 97210 Customer Service: 888-401-1900 rejuvenation.com