

Multiple Drop Pan Chandeliers

skill level

• basic electrician

installation instructions

1. Determine your location and ensure the connection will be secure.

2. Attach the **crossbar** to attach to your j box/ ceiling. Use additional **support holes** as required to attach to ceiling members or anchors.

NOTE: We recommend (2) people to install these due to their size.

3. With the fixture supported, or held, make your wiring connections. Please follow appropriate safety precautions.

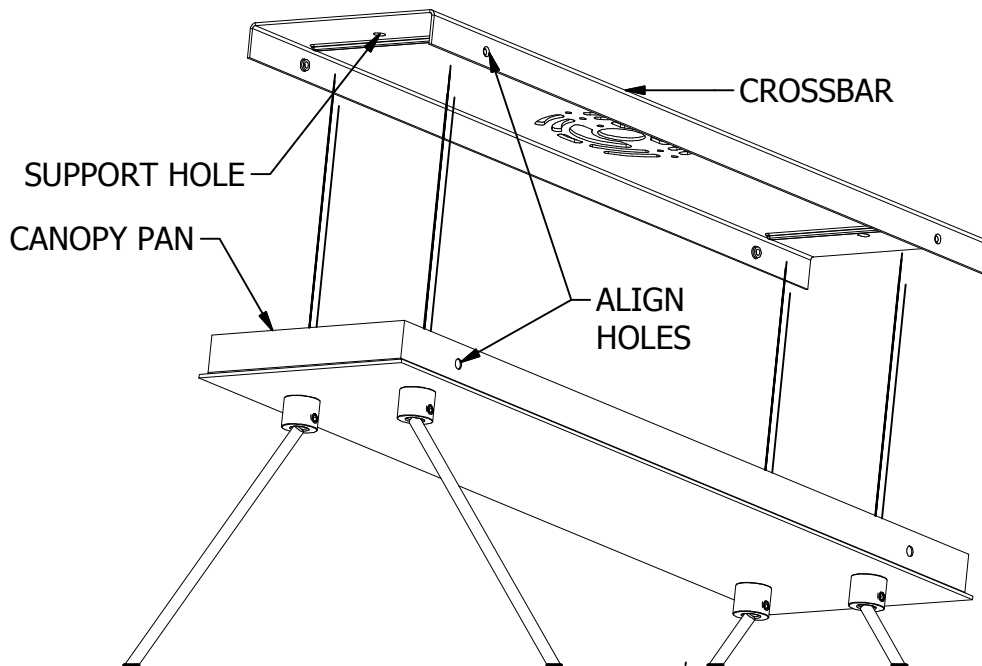
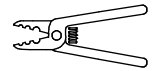
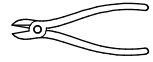
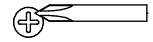
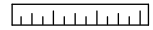
(Also take care- do not allow the fixture to hang by these electrical connections, as they are not designed to support the weight.)

4. Locate the side mounting holes in the pan, and the corresponding holes in the crossbar. Align, and fit the **canopy pan** over the **crossbar**. Attach screws, till held securely in place.

See "Important Information" on reverse side.

Complete!

• toolbox



REJUVENATION®

2550 N.W. Nicolai Street, Portland Oregon 97210 Customer Service: 888-401-1900 rejuvenation.com